



Datasheet

Cable Handswitch for installation below the desktop

HSF

Rev 2



MOTION FOR YOUR LIFE



Subject to change without notice. Errors and omissions excepted.

LOGICDATA cannot accept responsibility for incorrect operation or use of the products other than for the intended purpose.

Under the warranty terms, **LOGICDATA** shall replace or repair any products that prove defective at the time of delivery. **LOGICDATA** shall not assume any further liability.

If you have any questions or special requests, please contact **LOGICDATA** direct.

©2011 **LOGICDATA**

www.logicdata.at



Contents

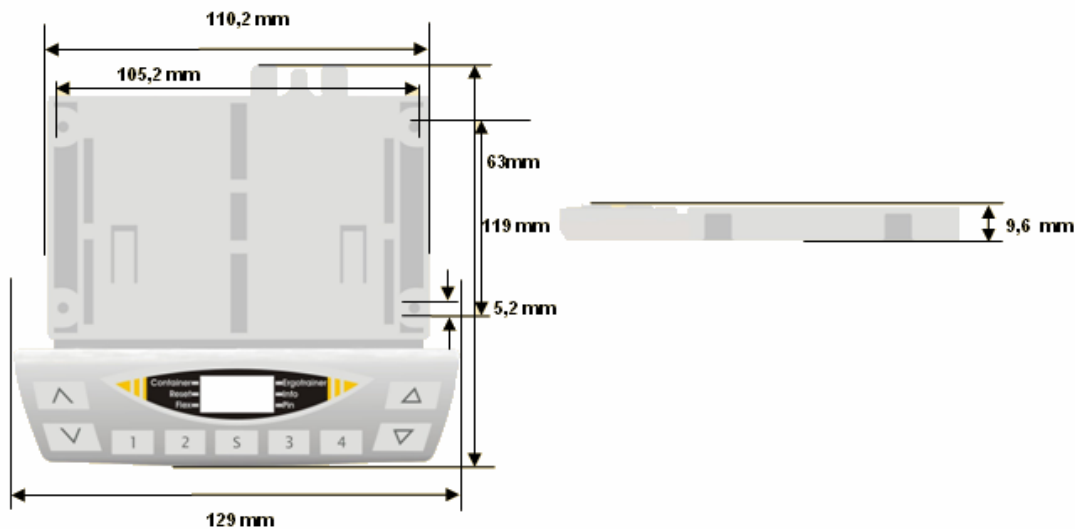
1. Features	3
2. Type and Dimensions.....	3
3. Technical Data	3
4. Compatibility.....	4
5. Order Code.....	4
6. Manufacturer Information	4



1. Features

- Ultra - flat design
- Big and comfortable to use buttons
- New info display with status information
- Display of 1/10 inch or cm
- soft click button feeling
- shift mechanism under table plate
- Easy and fast underside mounting (screws are included)

2. Type and Dimensions ¹⁾



3. Technical Data ¹⁾

Operating voltage	5VDC \pm 10%
Current consumption (average)	72mA
Product life (switching cycles)	10.000
Ambient temperature	0 – 40 °C
Cable length	2070 mm \pm 50mm
Dimensions (l, w, h)	119 mm x 129 mm x 9,6 mm
Weight	0,13 kg (incl. cable)



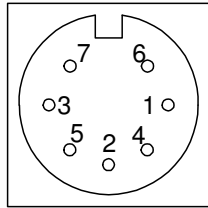
Note: The foil of the handswitch might perish or might grow pale due to intensive UV radiation. Therefore avoid direct solar radiation!

1) Dimensions in mm; Tolerances according to DIN ISO 2768-1 c



Pin Assignment:

Handswitch connector



1	HS1	5	HS4
2	HS3	6	+5V
3	n.c.	7	SER_OUT
4	HS2	Shell	GND
n.c.	not connected		

(pin alignment according to DIN 45329)



Caution: The HSF handswitch is only suitable for **LOGICDATA** motor controls. To prevent damage of the unit, take care not to interchange handswitch and motor sockets.

Colour code: Handswitch: blue
Motor: black

4. Compatibility

The HSF handswitch is compatible to following LOGICDATA motor controls:

- LogicS-X-XXX
- LogicB-X-XXX
- BasicS-X-XXX
- Compact-X-XXX

5. Order Code

- HSF-MDF-4M4-LD

6. Manufacturer Information

<p>LOGICDATA Electronic & Software Entwicklungs GmbH Wirtschaftspark 18 A-8530 Deutschlandsberg</p>	<p>Tel.: +43 (0)3462 5198 0 Fax: +43 (0)3462 5198 530 Email: office@logicdata.at www.logicdata.at</p>
--	--