



CB|touch C

Infinite possibilities.

DESCRIPTION

Forceful. The CB|touch C offers full movement control, a crystal-clear display panel, and the possibility to store four Memory Positions. Just add simple assembly for a design classic.

FEATURES

- Fully-customizable Hand Switch
- 4 Memory Positions
- Ergonomic design with outstanding Look and Feel
- 3-digit display in inches or cm
- Responsive Up / Down function
- Compact under-desk mounting

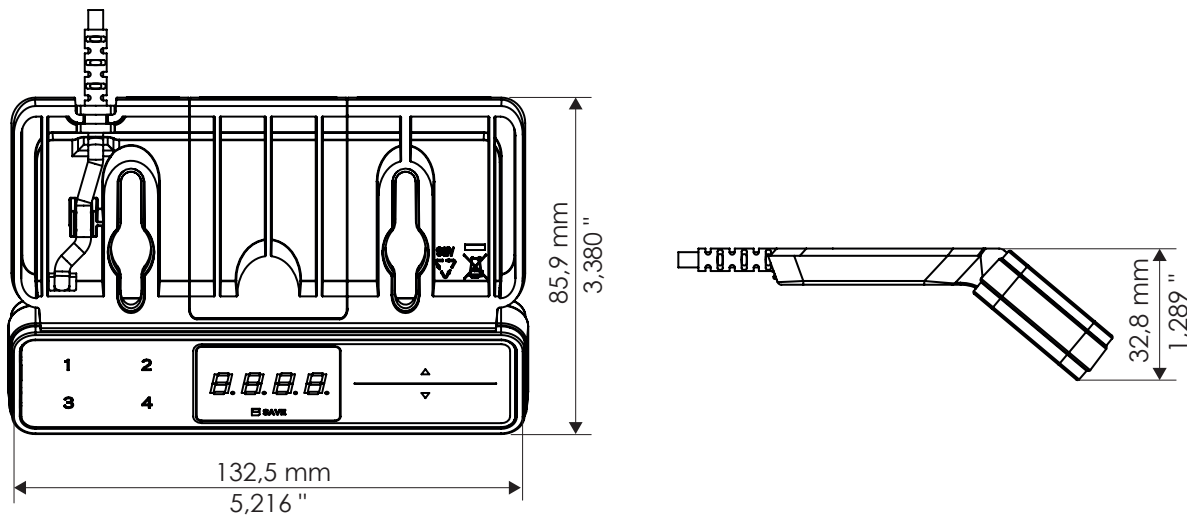
Contact Headquarters

LOGICDATA Electronic & Software Entwicklungs GmbH
Wirtschaftspark 18, 8530 Deutschlandsberg, office.at@logicdata.net

North America

LOGICDATA North America Inc., 5300 Broadmoor Ave SE,
Suite D, Grand Rapids, MI 49512, USA, office.na@logicdata.net





TECHNICAL DATA

| | |
|--|---|
| Supply voltage | 5 V DC \pm 200 mV |
| Current Consumption (average) | 10 mA |
| Current Consumption (standby) | <0.1 mA |
| Service life | 10 000 cycles |
| Cable length | 2 000 mm / 78.740" (\pm 40 mm / 1.575") |
| Dimensions (l x w x h) | 132.5 \times 85.9 \times 32.8 mm / 5.216" \times 3.380" \times 1.289" |
| Weight (including cable) | 138 g |
| Ambient conditions during operation | +5 °C to +40 °C at max. 68% relative air humidity (non-condensing), up to an altitude of 2,000 m. |
| Ambient conditions during transport and storage | -25 °C to +40 °C at max. 68% relative air humidity (non-condensing). +40 °C to 60 °C at max. 32% relative air humidity (non-condensing). Temperatures of more than 40 °C for periods not exceeding 10h. Product must be acclimatised to acceptable operating conditions before assembly. Contact LOGICDATA for exact specifications. |
| Compatibility | All LOGICDATA Control Boxes. Not compatible with products in the DYNAMIC MOTION system. |
| Degree of protection (IEC 60529) | IP 20 |
| Standards and regulations | EMC directive 2014/30/EU RoHS directive 2011/65/EU |
| Order Code | TOUCH-FX-MDF-KM-y |

Customer Code, up to 3 characters, standard is "LD"