



DYNAMIC MOTION system

DMItouch C

Take back control.

DESCRIPTION

Formidable. With its sleek, streamlined profile and easy-to-use button pad delivering an unrivalled ergonomic experience, the DMItouch C empowers users to exercise total control over the vast range of functionality in the DYNAMIC MOTION system.

FEATURES

- Fully-customizable Hand Switch
- 4 Memory Positions
- Ergonomic design with outstanding Look and Feel
- 3-digit display in inches or cm
- Responsive Up / Down function
- Compact under-desk mounting

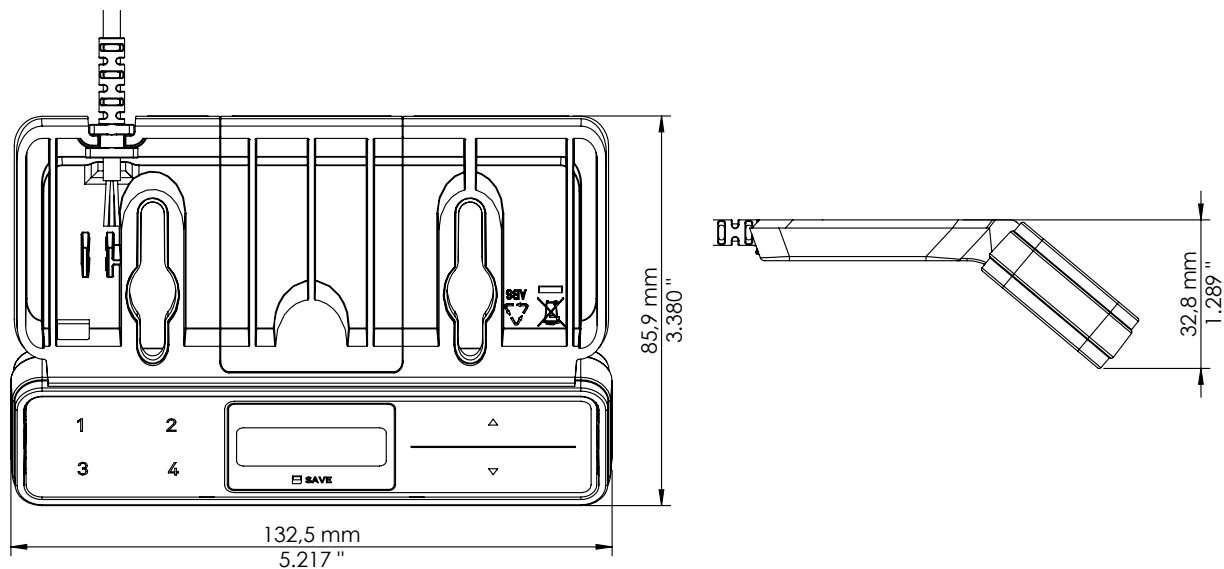
Contact Headquarters

LOGICDATA Electronic & Software Entwicklungs GmbH
Wirtschaftspark 18, 8530 Deutschlandsberg, office.at@logicdata.net

North America

LOGICDATA North America Inc., 5300 Broadmoor Ave SE,
Suite D, Grand Rapids, MI 49512, USA, office.na@logicdata.net





TECHNICAL DATA

Supply voltage	28.5 V DC
Current Consumption (average)	12 mA
Current Consumption (standby)	< 0.15 mA
Cable length	1 800 mm / 70.866 " (± 50 mm / 1.967 ")
Dimensions (l x w x h)	132.5 mm × 85.9 mm × 32.8 mm / 5.217 " x 3.380 " x 1.289 "
Weight	114.2 g
Ambient conditions during operation	+5 °C to +40 °C at max. 68% relative air humidity (non-condensing), up to an altitude of 2,000 m.
Ambient conditions during transport and storage	-25 °C to +40 °C at max. 68% relative air humidity (non-condensing). +40 °C to 60 °C at max. 32% relative air humidity (non-condensing). Temperatures of more than 40 °C for periods not exceeding 10h. Product must be acclimatised to acceptable operating conditions before assembly. Contact LOGICDATA for exact specifications.
Compatibility	Part of the DYNAMIC MOTION System
Degree of protection (IEC 60529)	IP 20
Standards and regulations	EMC directive 2014/30/EU RoHS directive 2011/65/EU
Order Code	DMUI-TOUCH-C-FX-KM-y

└ Customer Code, up to 3 characters, standard is "LD"