

# Installation manual

Creating  
**Intelligence**  
for adjustable  
furniture.

# TOUCH-FX

Product Rev0

Document Rev1



<b>1</b>	<b>INTRODUCTION.....</b>	<b>4</b>
1.1	IDENTIFICATION.....	4
1.2	SUPPORT .....	4
1.3	LIABILITY.....	4
1.4	TARGET GROUP .....	5
1.5	POLICY .....	5
<b>2</b>	<b>SAFETY .....</b>	<b>5</b>
2.1	SYMBOLS AND SIGNAL WORDS.....	5
2.2	GENERAL SAFETY NOTES .....	6
2.3	YOUR RISK ANALYSIS AND MANUAL.....	7
<b>3</b>	<b>DESCRIPTION.....</b>	<b>7</b>
<b>4</b>	<b>UNPACKING .....</b>	<b>9</b>
<b>5</b>	<b>INSTALLATION.....</b>	<b>10</b>
<b>6</b>	<b>CLEANING .....</b>	<b>12</b>
<b>7</b>	<b>TROUBLESHOOTING .....</b>	<b>12</b>
<b>8</b>	<b>FINAL DISPOSAL .....</b>	<b>13</b>
<b>9</b>	<b>CONTACT INFORMATION .....</b>	<b>13</b>
<b>10</b>	<b>COPYRIGHT AND TRADEMARK .....</b>	<b>13</b>

<b>Revision</b>	<b>Change log</b>	<b>Date</b>
0-0	Initial version	29.04.2016
0-1	Updated cable length and corrected weight	21.09.2016

# 1 Introduction

Dear customer,

Thank you for choosing a device from LOGICDATA Electronic & Software Entwicklungs GmbH (hereafter called LOGICDATA). You are now in possession of a state-of-the-art device that complies with all the relevant safety requirements.

## 1.1 Identification

The device is uniquely identified by the information on the type plate.

## 1.2 Support

In case of technical problems contact our technical support:

Tel.: +43 (0)3462 5198 0

Fax: +43 (0)3462 5198 530

E-Mail: [office.at@logicdata.net](mailto:office.at@logicdata.net)

Please include the product name and revision number according to the type plate in your support request.

## 1.3 Liability

The information given in this document must be regarded as a description of the device and not a guarantee of its properties.

LOGICDATA shall not be liable for any damages caused by:

- Usage not according to the intended purpose
- Ignorance of this documentation
- Unauthorized modifications to the software, hardware or operating parameters of this device
- Improper handling
- Excessive wear and use
- Operating the device despite being damaged
- Improper maintenance
- Unprofessional repair
- Catastrophes, influence of foreign bodies, and force majeure

## 1.4 Target group

This installation manual is addressed to technicians and assembly staff. The desk manufacturer must ensure that the staff meets the following prerequisites:

- Basic technical knowledge
- Experience in the installation of height-adjustable desks
- This documentation has been read and understood

## 1.5 Policy

The device left the factory in perfect condition and in a safe state. After the installation, the desk manufacturer is obliged to re-establish the safe state of the device.

Hazards may still occur even though the device meets the current state of the art and complies with all recognized safety requirements.

# 2 Safety

## 2.1 Symbols and signal words

---

**▲ DANGER** Indicates a hazardous situation which, if not avoided, will result in death or serious injury.

---

---

**▲ WARNING** Indicates a hazardous situation which, if not avoided, could result in death or serious injury.

---

---

**▲ CAUTION** Indicates a hazardous situation which, if not avoided, could result in minor or moderate injury.

---

**NOTICE**

Alert against unsafe practices that can result in property damage.

---

## 2.2 General Safety Notes

Always keep in mind the following safety instructions:

---

### **DANGER Electrical hazard**

When the handswitch is connected to the power supply, electrical power is applied to the connectors and the inner parts of the handswitch. Contact with live components can cause severe injury.

Always comply with the following safety rules to avoid injury:

- Never open the casing of the device under any circumstances, and do not attempt to repair or modify the device.
  - Only use the provided cables.
  - Never use the device with a damaged cable or plug.
  - Never immerse the device into any liquid. Keep the cable and the handswitch away from hot surfaces.
  - Before cleaning the device, always disconnect it from the power supply.
- 

### **WARNING Risk of crushing or pinching during operation**

While adjusting the height of the desk, there is a high risk of crushing or pinching between the desk and objects under, above or next to the desk.

Make sure that the danger area is clear of people, pets or obstacles! The handswitch may only be installed in a position where the entire danger zone is visible during operation.

---

### **CAUTION Damage caused by ESD**

Electrostatic Discharge (ESD) can cause immediate or latent damage to electronic circuits. Please note that we cannot accept any liability for damage caused by ESD. To avoid damage of electronic components by electrostatic discharge (ESD), ensure that the static electricity of your body is diverted permanently before you touch any part of the handswitch or cable. Wear a wrist band with grounding cable during the unpacking and installation.

---

## 2.3 Your risk analysis and manual

The desk manufacturer incorporating the device into its own product is obliged to perform a risk assessment for the height-adjustable desk. The desk manufacturer must apply the resulting risk mitigation measures before placing the desk on the market. Furthermore, the desk manufacturer is obliged to provide a comprehensive written user documentation for the height-adjustable desk.

## 3 Description

TOUCH-FX is a handswitch to control a height-adjustable table. It is part of the LOGICDATA system which usually consists of two drives, a control box, a power supply and a handswitch. The handswitch is intended for installation by screws underneath the table top. TOUCH-FX displays the height in cm or inch.

Technical data	
Supply voltage	5 V DC $\pm$ 200 mV
Average power consumption	60 mA
Average power consumption in standby mode	<1,3 mA
Operating life (switching cycles)	10 000
Ambient temperature during operation	+5 to +40 °C
Air humidity during operation	10 to 85 %, non-condensing, dew point at +27 °C
Ambient temperature during storage	-25 °C to +70 °C
Air humidity during storage	5 to 90 %, non-condensing, dew point at +38 °C
Cable length in mm	2 000 $\pm$ 40
Dimensions in mm (l x w x h)	132,5 x 85,9 x 32,8
Weight including cable	138 g
Degree of protection	IP20
Compatible control boxes	<ul style="list-style-type: none"> <li>• SMART (from firmware version 1.9)</li> <li>• COMPACT-e (from firmware version 1.9)</li> <li>• COMPACT-e+ (from firmware version 1.9)</li> </ul>

Figure 1: Dimensions

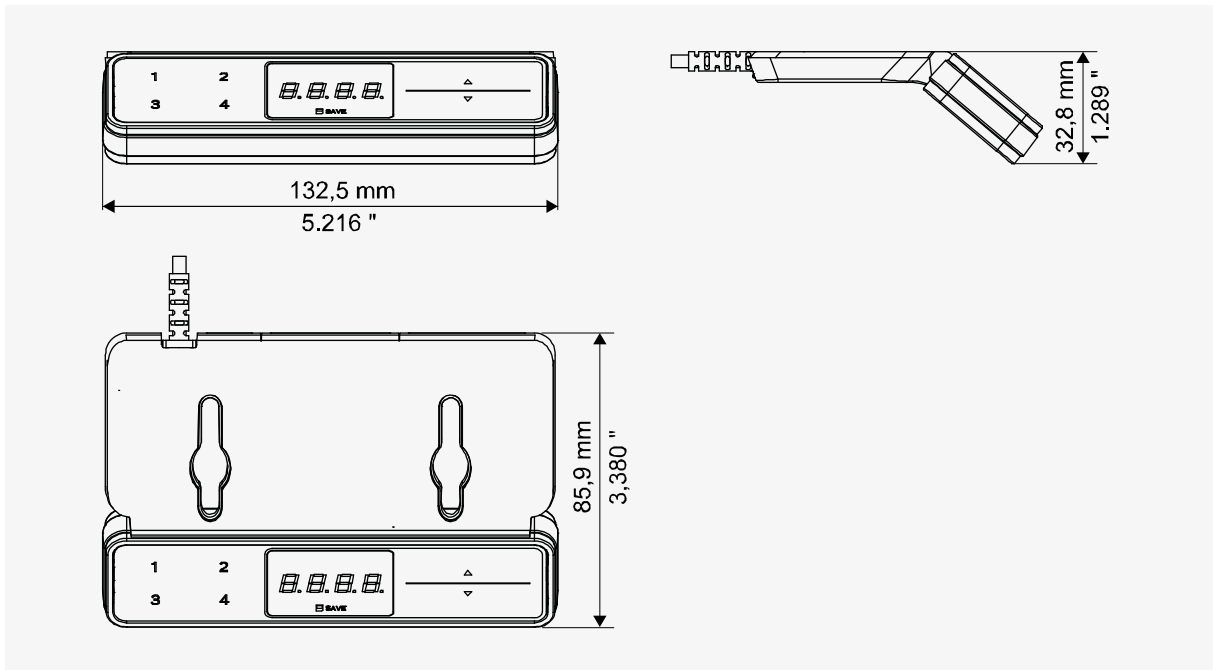
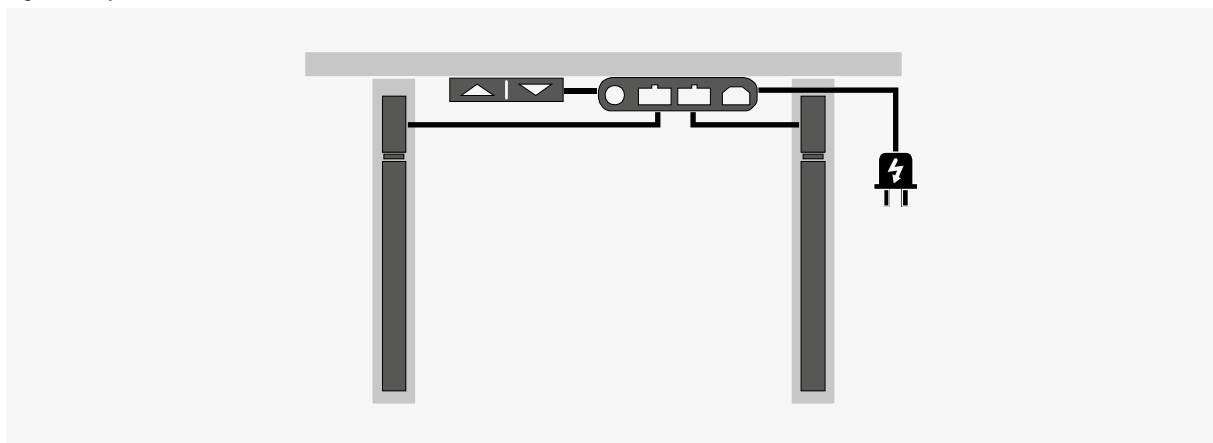


Figure 2: System overview





## 4 Unpacking

The device is only supplied in large quantities to the desk manufacturer. They may be placed in boxes made of wood, plastic, cardboard or other suitable material.

---

**⚠ CAUTION** When unpacking the device, ensure adequate earthing before doing so in order to prevent damage through electrostatic discharge (ESD). For damages caused by ESD the warranty shall become null and void.

---

### Unpacking procedure

1. Wear an antistatic wrist strap.
2. Remove the cardboard box.
3. Check all the contents of the package.
4. Sort the packaging material. Separate plastic and cardboard. Dispose of the packaging material according to the environmental regulations.

## 5 Installation

### Delivery contents

- TOUCH-FX with cable

### Required material

- Two flat-head screws

### Required tools

- Screwdriver suitable for the fastening screws

### NOTICE

Do not pinch, stretch or kink the cable during installation to avoid cable damage!

### Installation procedure

1. Position the TOUCH-FX under the table edge and mark the mounting holes or use a drilling template.

Figure 3: Position on the table edge

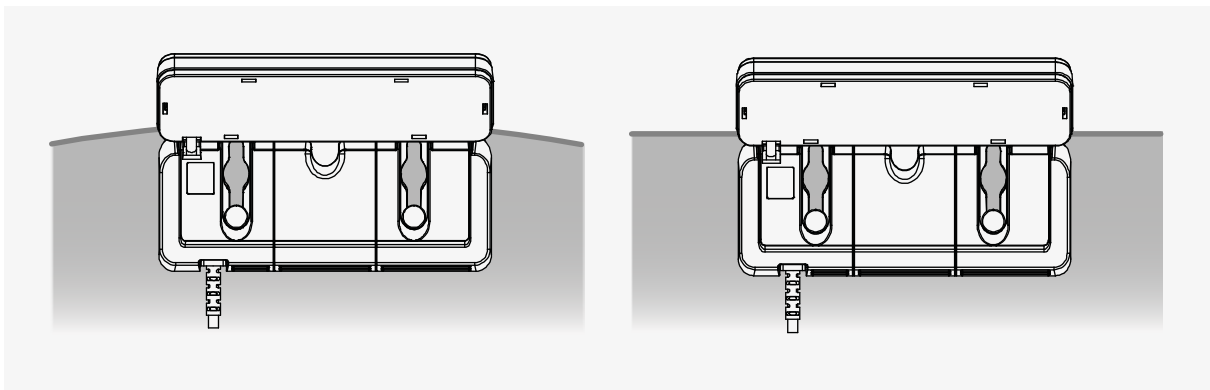
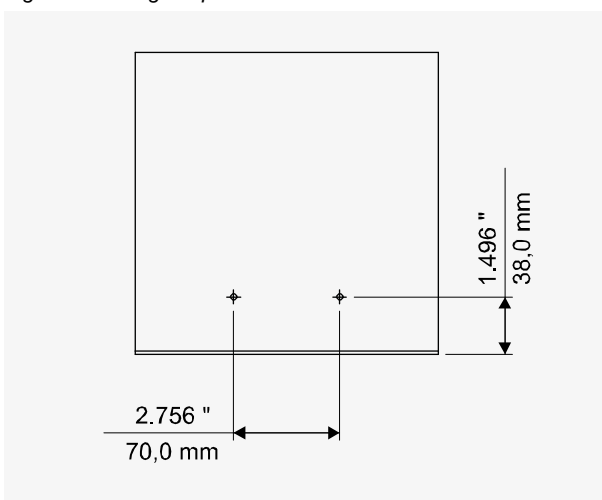
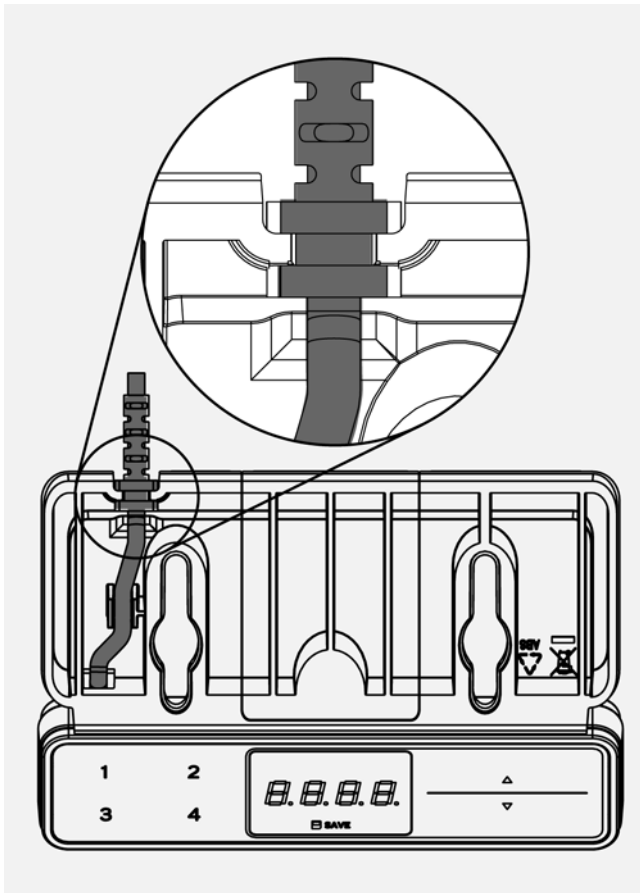


Figure 4: Drilling template



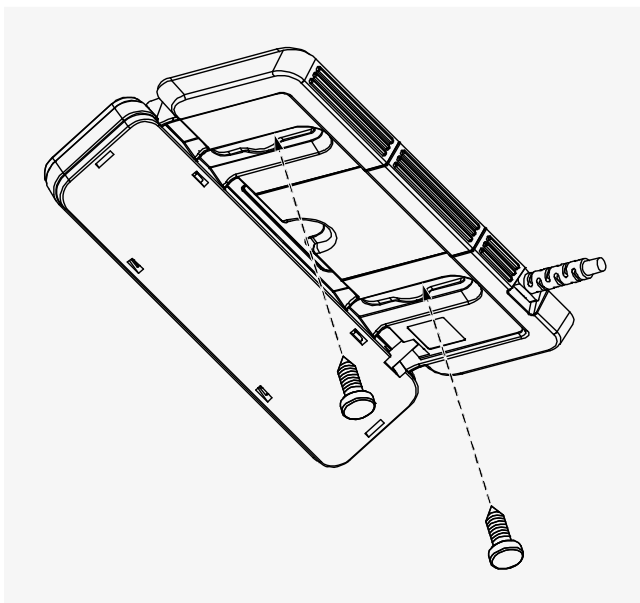
2. Insert the strain relief into the designated slot in the housing. Make sure that the cable does not protrude over the housing.

Figure 5: Strain relief in housing slot



3. Fasten the TOUCH-FX to the desk top with two screws.

Figure 6: Fasten screws



## 6 Cleaning

Clean the TOUCH-FX when soiled.

---

### **⚠ WARNING** Danger of electric shock or crushing accident!

Before cleaning the handswitch, physically remove the power cord from the height-adjustable desk and wait 15 to 30 seconds for residual voltage to dissipate.

Electric power or residual voltage might lead to *electric shock* or *unintentional movement* of the desk which might eventually cause an accident.

---

### **Cleaning procedure**

1. Disconnect the height-adjustable desks power supply from the power source.
2. Wait 30 seconds for residual voltage to dissipate.
3. Wipe the surface of the handswitch with a dry soft cloth or a soft cloth lightly moistened in water. Never immerse the handswitch into any liquid!
4. Wait for the handswitch to dry completely.
5. Reconnect the power supply.

## 7 Troubleshooting

The most common cause for malfunctions is that the capacitive control panel of the TOUCH-FX has been touched while it was calibrating. If the TOUCH-FX fails to function, make a reset.

---

**NOTICE**

Never touch the control panel of the TOUCH-FX during or directly after putting it into operation!

- 
1. Unplug the TOUCH-FX from the motor control box.
  2. Plug the TOUCH-FX back to the motor control box.
    - After a few seconds the TOUCH-FX is ready for operation.

## 8 Final disposal



The components are electrical and electronic equipment. This symbol on products, packings and/or accompanying documents means, that electrical/electronic products should not be disposed of in normal household waste. These products must be disposed of according to the WEEE directive 2012/19/EU.

Before disposal of materials and components, consider which parts of them are suitable for recycling. Supply as many parts of the LOGICDATA system as possible for recycling in your local area. The items should be handed in for recycling in accordance with local environmental regulations and rules for waste disposal. Make sure that the waste disposal verifiably minimizes any potential negative impact on human health and the environment.

## 9 Contact information

### *Manufacturer:*

**LOGICDATA**  
Electronic & Software Entwicklungs GmbH  
Wirtschaftspark 18  
8530 Deutschlandsberg  
Austria

Phone: +43 (0)3462 5198 0  
Fax: +43 (0)3462 5198 530  
E-mail: [office.at@logicdata.net](mailto:office.at@logicdata.net)  
Internet: <http://www.logicdata.net>

### *Distributor in North America:*

**LOGICDATA North America, Inc.**  
1525 Gezon Parkway SW, Suite C  
Grand Rapids, MI 49509  
USA

Phone: +1 (616) 328 8841  
E-mail: [office.na@logicdata.net](mailto:office.na@logicdata.net)

## 10 Copyright and Trademark

This original documentation is protected by copyright law. LOGICDATA GmbH reserves all rights to this document, particularly the right of duplication and distribution as well as translation. No part of this manual may be reproduced by any mechanical, electronic or other means, in any form, without prior written permission of LOGICDATA Electronic & Software Entwicklungs GmbH. Violators will be prosecuted. This documentation may contain representations of registered product or service trademarks owned by LOGICDATA or third parties. Copyright and trademark rights of LOGICDATA and of other third parties remain in their entirety the property of the respective rights owner.

© 2016 LOGICDATA Electronic & Software Entwicklungs GmbH