

LOGIC^{.....}home

PowerConverter-Light-ZH-BAT

Part number: 10.000132

Product Rev4

Document Rev1



Table of Contents

1	FEATURES.....	3
2	SAFETY	3
3	TYPE AND DIMENSIONS	5
4	TECHNICAL DATA	5
4.1	PIN ASSIGNMENT	6
5	PRODUCT LABEL AND SAFETY LABEL	7
5.1	ORDER CODE	7
6	STANDARDS	8
7	FINAL DISPOSAL	8
8	MANUFACTURER INFORMATION	9

Revision	Change log	Date
Rev0_0	Initial Revision	12.08.2013
Rev1_0	ESD improvement, PCB Version J and H are allowed	28.05.2014
Rev2_0	PCB Version C is allowed	07.08.2014
Rev3_0	Change to DOE standard (standby power < 210mW, Efficiency above 88%), Efficiency level VI; Change label to laser printed Changed Cut off current from 7-10A to $7 \leq I_{out}[A] \leq 12$	16.10.2015
Rev3_1	Updated Type plate (added KC Certificate) Added monthly test Efficiency level Added description add ESD requirements Added UL1310 as required standard Added Efficiency level VI as required efficiency level	27.01.2016
Rev4_0	Updated Type plate (removed duty cycle)	10.10.2017
Rev4_1	Added tracibility number, aligned technical data	17.01.2018

Copyright

This original documentation is protected by copyright. All rights, especially the right of reproduction and distribution as well as translation, are reserved. No part of this manual may be reproduced by any mechanical, electronic or other means, in any form, without prior written permission of *LOGICDATA Electronic & Software Entwicklungs GmbH*. All violations involving copyright may result in legal action.

1 Features

- Power supply unit offers a wide range of input from 100 - 240 VAC
- 2.0 Ampere continuous, 29 VDC Power output
- Status LED
- Short circuit, over temperature and overcurrent protection
- System requires 2 x 9 V batteries for emergency lowering

2 Safety

⚠ DANGER *Do not open the unit. This may cause a potential danger of electrical shocks. Service tasks may only be carried out by qualified and approved personnel. Contact LOGICDATA or customer support.*

⚠ DANGER *The unit may only be operated with the voltage noted on the product label. Otherwise electrical dangers may arise.*

⚠ DANGER *Never place the connection cable and parts of the unit into liquids. Keep the connection cable away from heated surfaces or direct sunlight. If the unit is exposed to liquid, do not continue to use it. Liquid may have entered the unit. This is a potential fire hazard!*

⚠ DANGER *Do not operate the unit in a potentially explosive atmosphere.*

⚠ WARNING *The device may be used by children older than 8 years as well as persons with physical, mental or sensorial abilities or lack of experience or knowledge, if they are supervised or have been informed about the safe operation of the device and understand the dangers resulting from it. Nevertheless, children must not play with the device.*

⚠ WARNING *The unit must not be altered or modified.*

⚠ WARNING *Do not use the unit in humid environments.*

⚠ WARNING *Operate the unit only after proper and complete assembly and installation. During unit operation, do not allow objects to restrict mechanical functions of operations.*

⚠ CAUTION *The unit is not designed for continuous operation. Over-Heating may occur.*

⚠ CAUTION *The unit may only be cleaned with a dry or lightly dampened cloth. The unit must not be plugged in electrically while cleaning.*

NOTICE

The product is only suitable for LOGICDATA systems. Do not use any Non-LOGICDATA approved components, this may lead to damage or destruction of the device!

⚠ CAUTION *Do not expose the device to any liquids or humidity in order to avoid fire hazard or electric shocks.*

⚠ CAUTION *If the device is not used for a long period of time, we recommend the unit not to be plugged in electricity.*

⚠ CAUTION *If smells or fumes emit from the device, immediately disconnect it electrically and contact LOGICDATA or customer support.*

NOTICE

It is not allowed to connect to this unit any products which are not recommended by LOGICDATA.

NOTICE

In case electrical wires are damaged, the items must be replaced by LOGICDATA or customer support. Do not use any items with damaged wires.

NOTICE

The unit may be damaged due to electrostatic discharge (ESD). Ensure that only materials which not allow electrostatic charge are used for the final product. LOGICDATA does not assume any warranty in case of damages as associated with ESD.

NOTICE

The manufacturer is not responsible for any electromagnetic interference (EMI) caused by unauthorized modifications to this equipment. Such modifications void the user to operate the equipment.

⚠ DANGER *Do not operate in direct sunlight.*

3 Type and Dimensions

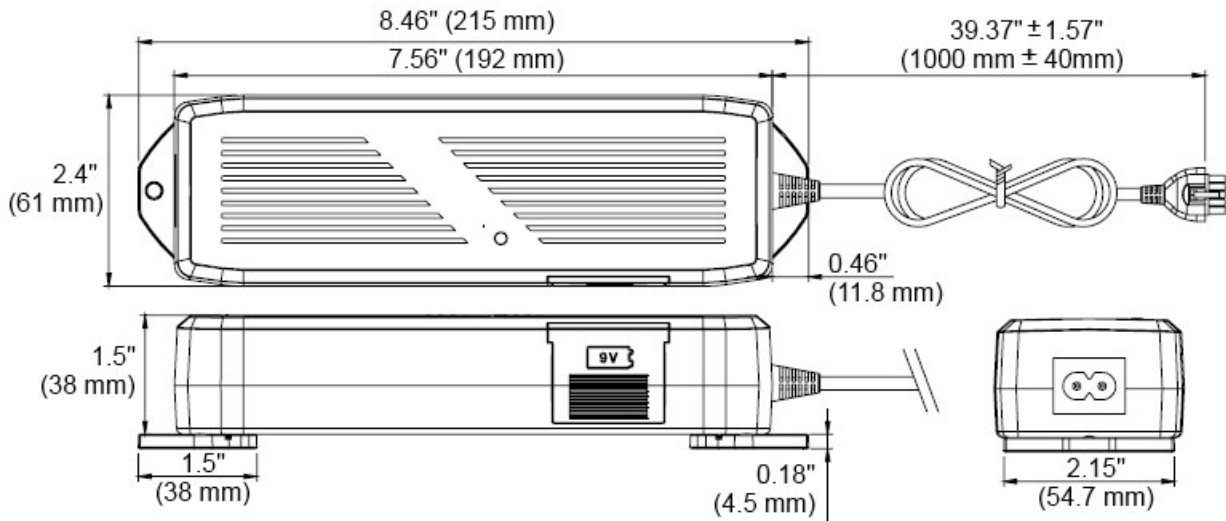


Figure 1: Tolerances according to DIN ISO 2768-1

4 Technical Data

General	
Supply voltage	100 - 240 VAC from 47 Hz to 63 Hz
Power output	29 VDC / 2.0 A
Battery output	18 VDC
Standby Input power	< 0.21 W
Cut Off current	> 7 A
Weight (excl. emergency batteries)	0.838 pounds (380 g)
Power cord (max. length)	78.74" ± 1.97" (2000 mm ± 50 mm)
Connection cable (length)	39.37" ± 1.57" (1000 mm ± 40 mm)
Emergency batteries (recommended)	2 x 9 V, Alkaline, 6LF22
Ambient temperature during operation	+5 to +30 °C
Air humidity during operation	10 to 85%, non-condensing, max. dew point at +27°C
Ambient temperature during storage and transport	-20°C to +70 °C
Air humidity during storage and transport	5 to 90%, non-condensing, max. dew point at +38°C
Dimensions (L x B x H)	8.46" x 2.4" x 1.5" (215 mm x 61 mm x 38 mm)
Type of input connector (AC)	IEC-60320-C8
Cable (connector)	Nylon 66 UL94V-0
Cable material (wire and overmold)	PVC
Housing material	PC / ABS
Protection class	IP20
Flammability class	UL94V-0

Table 1: Technical Data

4.1 Pin Assignment

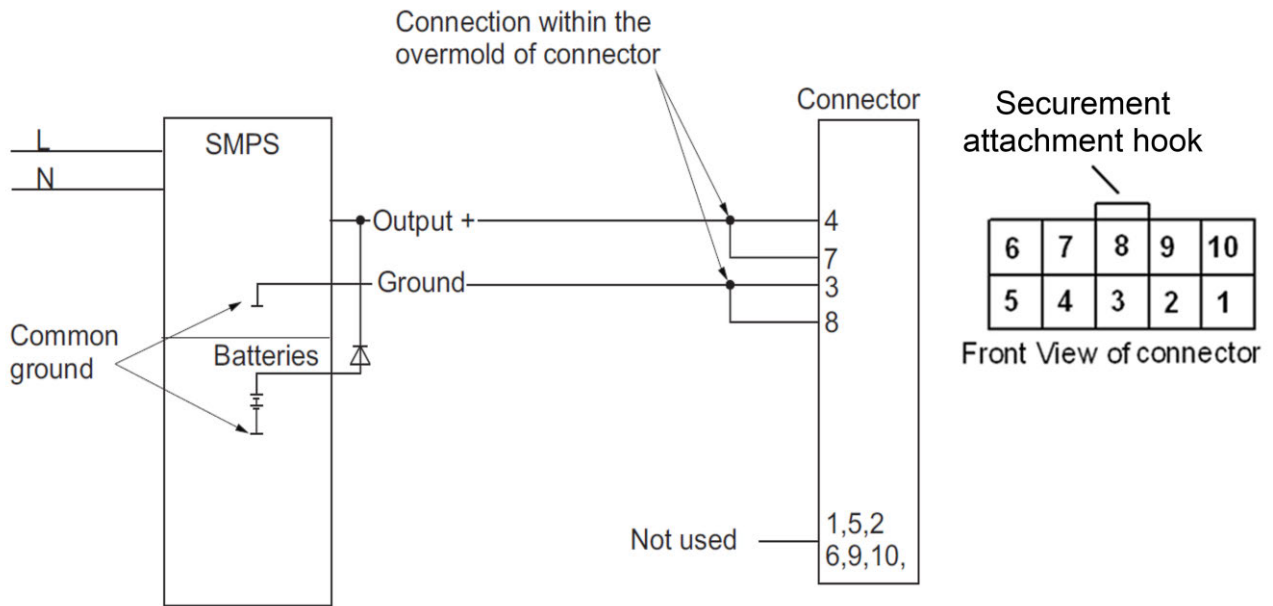


Figure 2: Pin Assignment

5 Product label and safety label

The following figure shows the product and safety label.

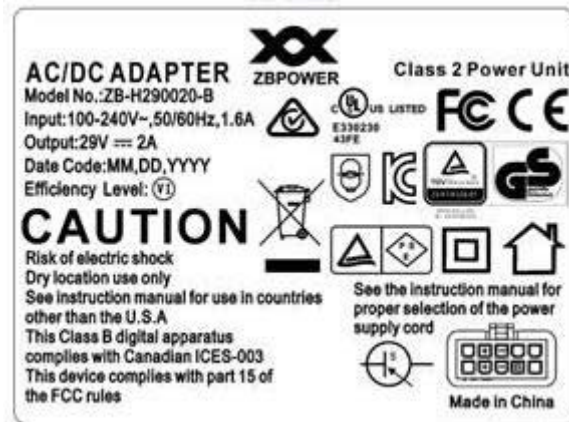


Figure 3: Product label and safety label

5.1 Order Code

PowerConverter-Light-ZH-BAT

5.2 Tracibility number



Figure 4: Tracibility number

The tracibility number contains:

- SO = Sales Order
- YYYY = year of production
- XXXX = automatic generated number

6 Standards

The power supply complies with following international standards:

Standard/ Law	Description	Year/ Version/Edition	Report Reference
47 CFR Part 15	Code of Federal Rules Radio Frequency Devices, FCC Part 15 Subpart B, Class B FCC Part 18	2015	
CE marking	Conformité Européenne marking of the European Economic Area (EEA)	2015	
UL1310-1	Standard for Class 2 Power Units	Edition 6, 08/26/2011	E330230
Department of Energy 10 CFR Part 430	Energy Conservation Program: Energy Conservation Standards for External Power Supplies	Docket No. EERE-2008- BT-STD-0005	
EN60950	Safety of Information Technology Equipment Including Electrical Business Equipment		

Table 2: Standards

7 Final Disposal

NOTICE

Dispose product and parts according to local environment recommendations.



The product contains electrical and electronical components, which must be disposed according to the WEEE directive 2012/19/EU. These components are marked with the symbol on the left.

Principle

Be aware of the raw materials which are used in the manufacture of the unit. Check for proper disposal of materials and components. Recycle as much as possible.

Careless or improper disposal may cause unpredictable damages. Take care of us, our offspring, nature, environment and economy. Dispose materials and component parts in a way that the disposal is verifiably agreeable for humans, nature and environment.

Adhere to the instructions of the manufacturers and the according laws and regulations.

8 Manufacturer Information

LOGICDATA North America, Inc.

1525 Gezon Parkway SW, Suite C
Grand Rapids, MI 49509
USA

Tel: +1-616-328-8841

E-mail: office.na@logicdata.net

<http://www.logicdata.net>

LOGICDATA

Electronic & Software Entwicklungs GmbH
Wirtschaftspark 18

8530 Deutschlandsberg - Austria

Tel: +43 (0) 3462 51 98 0

Fax: +43 (0) 3462 51 98 530

E-mail: office.at@logicdata.net

<http://www.logicdata.net>