



# SMARTneo

## Command and Control.

### DESCRIPTION

Dominant. The next generation in the growing dynasty of SMART Control Boxes by LOGICDATA, the SMARTneo is a confident evolution of mechatronic technology: its slim, low-profile housing facilitating total freedom in design. Featuring an integrated, highly sensitive collision detection system, this (r)evolutionary product represents the best value all-in-one Control Box on the market today. Renowned Austrian quality, competitive prices.



### FEATURES

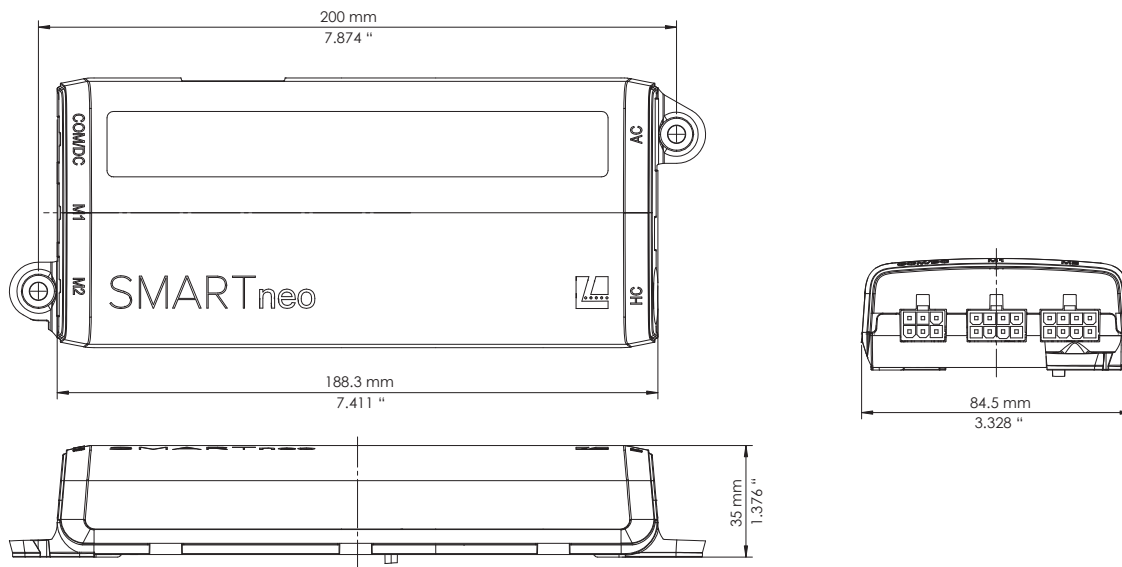
- 240 W output power
- Cost-effective SMPS
- Improved driving dynamics: increased responsiveness and smooth start/stop
- Integrated collision sensor with high sensitivity
- Sit/stand memory for Basic Hand Controls
- Ultra-efficient 0.1 W standby power consumption
- LOGICcell compatibility for standalone/mobile desk solutions
- Value-for-money 4-drive systems with optimized cascading handling
- Slim, low-profile design (height 35 mm)

#### Contact Headquarters


LOGICDATA Electronic & Software Entwicklungs GmbH  
Wirtschaftspark 18, 8530 Deutschlandsberg, [office.at@logicdata.net](mailto:office.at@logicdata.net)

#### North America

LOGICDATA North America Inc., 5300 Broadmoor Ave SE,  
Suite D, Grand Rapids, MI 49512, USA, [office.at@logicdata.net](mailto:office.at@logicdata.net)



## TECHNICAL DATA

<b>Rated input current</b>	2 A
<b>Rated frequency</b>	50-60 Hz
<b>Rated input voltage</b>	220-240 VAC
<b>Rated output power</b>	240 W
<b>Standby power consumption</b>	0.1 W
<b>Duty cycle</b>	2 Min. ON (120W) / 18 Min. OFF or 0.5 Min. (240 W), 0.5 Min (120W) / 9 Min. OFF
<b>Service life</b>	10 000 cycles
<b>Dimensions (l* x w x h )</b>	188.3 mm x 84.5 mm x 35.0 mm (7.874 " x 3.328 " x 1.376 ")
<b>Ambient conditions during operation</b>	+5 °C to +40 °C at max. 68% relative air humidity (non-condensing), up to an altitude of 2 000 m.
<b>Ambient conditions during transport and storage</b>	-25 °C to +40 °C at max. 68% relative air humidity (non-condensing). +40 °C to +60 °C at max. 32% relative air humidity (non-condensing). Temperatures of more than +40 °C for periods not exceeding 10h. Product must be acclimatised to acceptable operating conditions before assembly. Contact LOGICDATA for exact specifications.
<b>Compatibility</b>	Visit LOGICDATA.net for a full list of compatible products.
<b>Degree of protection (IEC 60529)</b>	IP 20
<b>Applicable standards</b>	RoHS 2011/65/EU   <b>REACH regulation (EG) Nr. 1907/2006</b>   EMV 2014/30/EU   <b>LVD directive 2014/35/EG</b>   Eco-Design directive 2009/125/EG   <b>Machinery directive 2006/42/EC</b>
<b>Interference immunity to ESD (EN 61000-6-2)</b>	Contact discharge 4kV Air discharge 8kV
<b>Order code</b>	SMARTneo-2G-x-y-EU  <ul style="list-style-type: none"> <li>Domestic Mains Supply</li> <li>Customer Code, up to 15 alphanumeric characters, standard is "LD"</li> <li>Motor Type, optional, standard is blank</li> <li>2nd Generation</li> </ul>

\*Length measured without Mounting Points. Length including Mounting Points: 218.9 mm  
Distance between Mounting Points: 200.0 mm (l) | 49.2 mm (w)