



EASY2move

Freedom at your fingertips.

DESCRIPTION

Liberation. With the arrival of EASY2move, LOGICDATA brings the joy of motion directly to your fingertips. This ultra-responsive user interface is a declaration of our passion for outstanding ergonomic design: simple, effective, and beautiful.

Premium usability forms the core of the EASY2move philosophy.

FEATURES

- Stunning ergonomic design
- Intuitive Up / Down motion control
- LED display for system information
- Under-desk mounting
- Dedicated Save Button

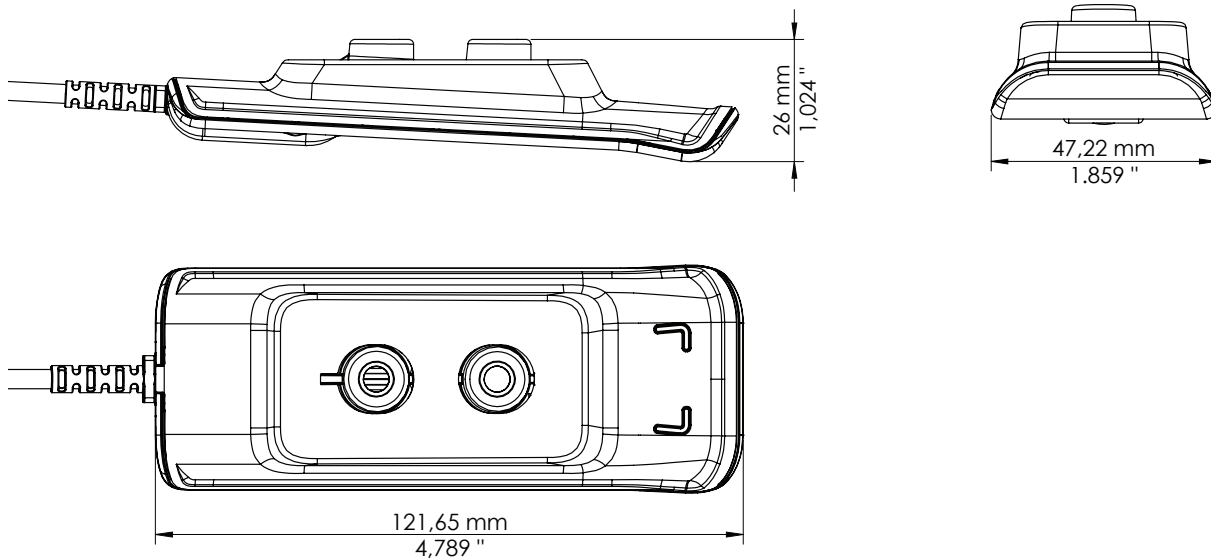


Contact Headquarters

LOGICDATA Electronic & Software Entwicklungs GmbH
Wirtschaftspark 18, 8530 Deutschlandsberg, office.at@logicdata.net

North America

LOGICDATA North America Inc., 5300 Broadmoor Ave SE,
Suite D, Grand Rapids, MI 49512, USA, office.at@logicdata.net



TECHNICAL DATA

Supply voltage	5 VDC \pm 10%
Current Consumption (average)	5 mA
Current Consumption (standby)	<5uA
Cable length	1 800 mm / 70.866 " (\pm 50 mm / 1.967 ")
Dimensions* (l x w x h**)	121.82 mm \times 47.22 mm \times 25.85 mm / 4.796 " \times 1.859 " \times 1.136 "
Weight	108 g
Ambient conditions during operation	+5 °C to +40 °C at max. 68% relative air humidity (non-condensing), up to an altitude of 2,000 m.
Ambient conditions during transport and storage	-25 °C to +40 °C at max. 68% relative air humidity (non-condensing). +40 °C to 60 °C at max. 32% relative air humidity (non-condensing). Temperatures of more than 40 °C for periods not exceeding 10h. Product must be acclimatised to acceptable operating conditions before assembly. Contact LOGICDATA for exact specifications.
Compatibility	Visit LOGICDATA.net for a full list of compatible products.
Degree of protection (IEC 60529)	IP 20
Standards and regulations	EMC directive 2014/30/EU RoHS directive 2011/65/EU Dodd Frank Act Section 1502
Order Code	EASY2move-2-x

└ Customer Code, up to 3 characters, standard is "LD"

* Distance between Mounting Points: 25 mm

**Height measured Contact Point to Mounting Point