

LOGIClink

Corporate

Tomorrow was yesterday.



LOGICDATA provides communication and control through LOGIClink, a cutting-edge connectivity hub that empowers users to customize their working environment like never before. By creating a responsive interface between the end user and their workstation, this state-of-the-art technology provides users with total freedom of movement without the need for an additional Hand Control. While the ergonomic benefits of a sit-stand working environment have long been known, LOGIClink's key strength is its ability to blend the physical and virtual aspects of a workstation through the control of surrounding devices. Seamlessly connecting the world-class mechatronic products in the LOGIC OFFICE range, LOGIClink plays a crucial role in the creation of dynamic, activity-based workstations, each individually optimized to its user's unique needs.

FEATURES

- Connections via Bluetooth, active NFC, WiFi, and USB
- WiFi Connectivity for entire working environments (for data collection and desk reservation)
- Plug and Play technology
- No need for an additional Hand Control
- APIs to create customized applications
- MOTION@work App: focus on ergonomics and wellness in the workplace

HARDWARE PORTFOLIO

- Wired Connectivity:
 - USB (data only)
 - Control Box connection (data and power)
- Wireless Connectivity:
 - Active NFC ISO/IEC 14443, Bluetooth 4.1,
 - WiFi 2.4GHz IEEE 802.11 b/g/n (WPA/ WPA2, WEP/TKIP/AES)
- Other Interfaces:
 - Occupancy detection (PIR based)
 - Hand Control buttons
 - LEDs
- Compatibility:
 - All LOGICDATA Control Boxes
 - DYNAMIC MOTION system
 - Fixed workstations

SOFTWARE INTERFACES

Application Programming Interface

- Functionality:

Up/down	Memory positions
Display in cm/inch	Occupancy information
LED control	

SOFTWARE PORTFOLIO

MOTION@work App

- Target Group:
 - End user at workstation
- App:
 - Sit/Stand position adjustment
 - Memory function
 - Position display in cm/inch
 - User statistics (sit/stand cycles, occupancy information)
 - Personal goals
 - Reminder function
- Availability:
 - Play Store (Google/Android),
 - App Store (Apple/iOS)

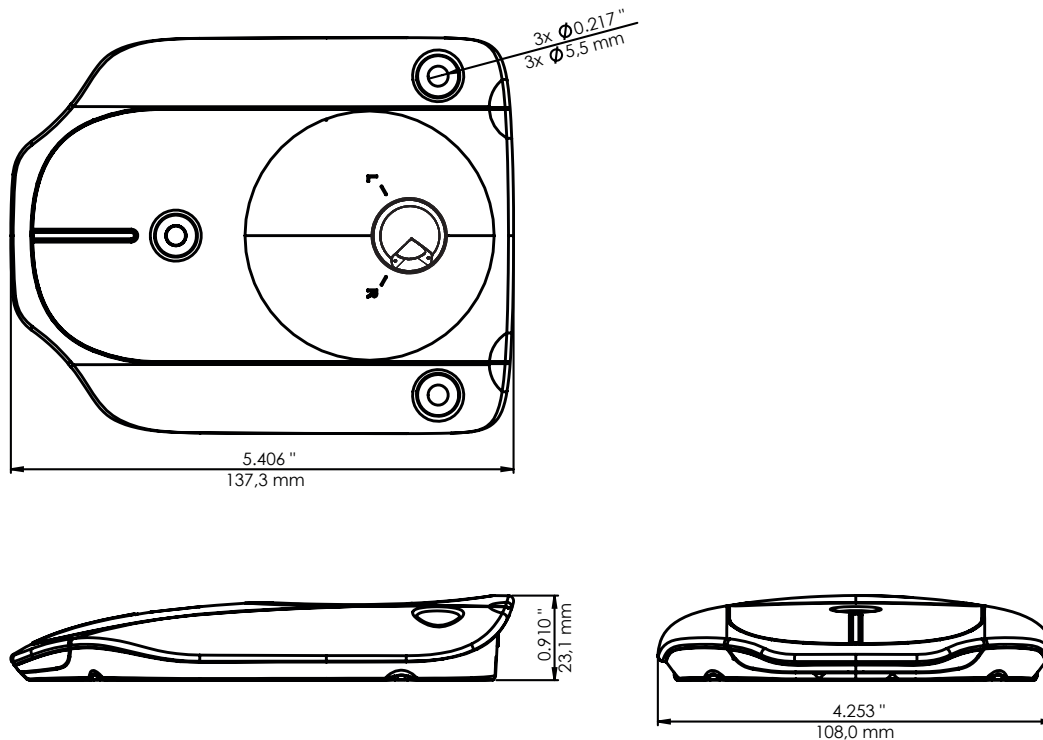
Contact Headquarters

LOGICDATA Electronic & Software Entwicklungs GmbH
Wirtschaftspark 18, 8530 Deutschlandsberg, office.at@logicdata.net

North America

LOGICDATA North America Inc., 5300 Broadmoor Ave SE,
Suite D, Grand Rapids, MI 49512, USA, office.at@logicdata.net





TECHNICAL DATA

Supply voltage (retrofit-option)	5 VDC +/- 10 %
Supply voltage (DYNAMIC MOTION-option)	29.5 VDC +/- 10 %
Max. input current (retrofit-option)	500 mA
Dimensions (l x w x h)	137.3 x 108.0 x 23.1 mm
Weight	111 g
Interface / connector types	Micro USB connector Bluetooth >4.1
Ambient conditions during operation	+5 °C to +40 °C at max. 68% relative air humidity (non-condensing), up to an altitude of 2 000 m.
Ambient conditions during transport and storage	-25 °C to +40 °C at max. 68% relative air humidity (non-condensing). +40 °C to +60 °C at max. 32% relative air humidity (non-condensing). Temperatures of more than +40 °C for periods not exceeding 10h. Product must be acclimatised to acceptable operating conditions before assembly. Contact LOGICDATA for exact specifications.
Compatibility	Visit LOGICDATA.net for a full list of compatible products
Degree of protection	IP 20
Wireless Working Frequency	2.4 GHz
Standards and regulations	RoHS directive 2011/65/EU REACH Regulation (EC) No 1907/2006 RED 2014/53/EU FCC Title 47 subpart 15 ICES-003
Order code	LOGIClink-Corporate-B-00-Y