



DYNAMIC MOTION **system**

# DMUI- **EASY2move**

**Freedom at your fingertips.**

## DESCRIPTION

Liberation. With the arrival of DMUI-EASY2move, LOGICDATA brings the joy of motion directly to your fingertips. This ultra-responsive user interface is a declaration of our passion for outstanding ergonomic design: simple, effective, and beautiful. Premium usability forms the core of the DMUI-EASY2move philosophy. The is compatible with LOGICDATA's DYNAMIC MOTION system, making it the perfect addition to the most exciting range of mechatronic furniture components on the market today.

## FEATURES

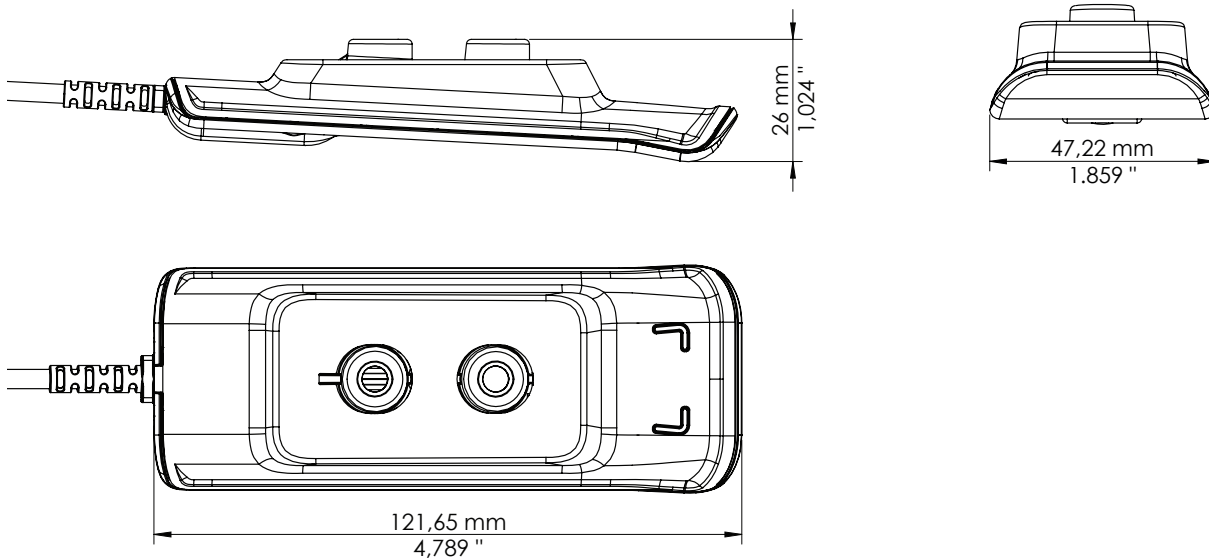
- Stunning ergonomic design
- Intuitive up / down motion control
- LED display for system information
- Under-desk mounting
- Dedicated Save Button

### Contact Headquarters

LOGICDATA Electronic & Software Entwicklungs GmbH  
Wirtschaftspark 18, 8530 Deutschlandsberg, [office.at@logicdata.net](mailto:office.at@logicdata.net)

### North America

LOGICDATA North America Inc., 5300 Broadmoor Ave SE,  
Suite D, Grand Rapids, MI 49512, USA, [office.na@logicdata.net](mailto:office.na@logicdata.net)



## TECHNICAL DATA

<b>Supply voltage</b>	28.5 V DC
<b>Current Consumption (average)</b>	35 mA
<b>Current Consumption (standby)</b>	<1 mA
<b>Cable length</b>	1 800 mm / 70.866 " (± 50 mm / 1.967 ")
<b>Dimensions* (l x w x h**)</b>	121.65 mm × 47.22 mm × 26.00 mm / 4.789 " x 1.859 " x 1.024 "
<b>Weight</b>	108 g
<b>Ambient conditions during operation</b>	+5 °C to +40 °C at max. 68% relative air humidity (non-condensing), up to an altitude of 2,000 m.
<b>Ambient conditions during transport and storage</b>	-25 °C to +40 °C at max. 68% relative air humidity (non-condensing). +40 °C to 60 °C at max. 32% relative air humidity (non-condensing). Temperatures of more than 40 °C for periods not exceeding 10h. Product must be acclimatised to acceptable operating conditions before assembly. Contact LOGICDATA for exact specifications.
<b>Compatibility</b>	Part of the DYNAMIC MOTION System
<b>Degree of protection (IEC 60529)</b>	IP 20
<b>Standards and regulations</b>	EMC directive 2014/30/EU RoHS directive 2011/65/EU Dodd Frank Act Section 1502
<b>Order Code</b>	<b>DMUI-EASY2move-B-x-y</b>

Cable type, standard is blank, "TPE" for PVC-free variant  
 Customer Code, up to 3 characters, standard is "LD"

\* Distance between Mounting Points: 25 mm

\*\*Height measured Contact Point to Mounting Point