



DYNAMIC MOTION **system** **DMP240**

Power to the people.

DESCRIPTION

Exceptional. With its sleek, compact design and 240 W rated output, the DMP240 brings the power and flexibility to keep your world in motion. Compatible with every product within the DYNAMIC MOTION system, this endlessly versatile power supply can operate multiple tables within a benching system or cascade with other power supplies to lift heavy and oversized tables.

With great power comes great responsibility. Yet with product variants tested and certified on both US and EU mains supplies, alongside state-of-the-art safety features such as protection against overheating and overvoltage, the DMP240 delivers electrical excellence without the shocks.

FEATURES

- Compact design
- Compatibility with bench and conference applications
- Protection against overheating and overvoltage

TECHNICAL DATA

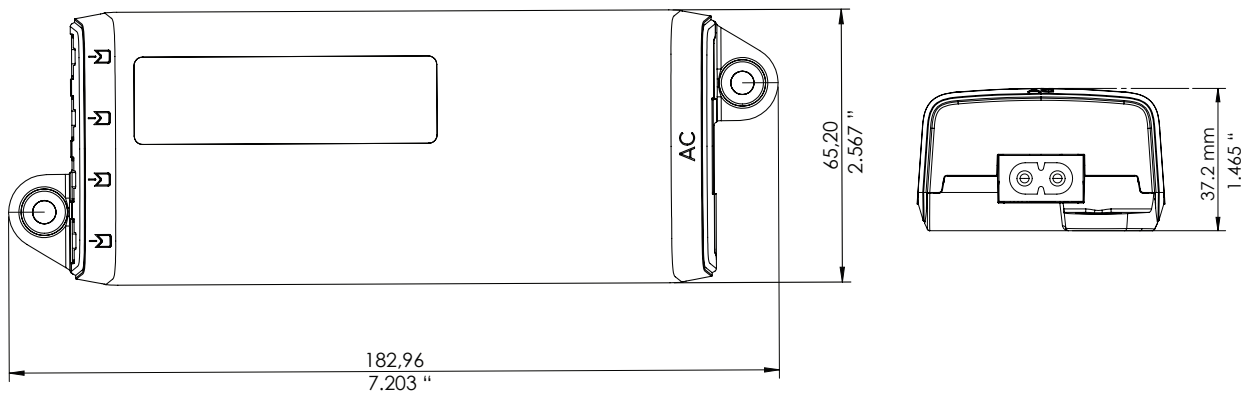
- 240 W output power
- <0.2 W standby power consumption
- Output connections for up to 4 DYNAMIC MOTION system components
- Tested and certified on US and EU mains supplies

Contact Headquarters

LOGICDATA Electronic & Software Entwicklungs GmbH
Wirtschaftspark 18, 8530 Deutschlandsberg, office.at@logicdata.net

North America

LOGICDATA North America Inc., 5300 Broadmoor Ave SE,
Suite D, Grand Rapids, MI 49512, USA, office.na@logicdata.net



TECHNICAL DATA

Rated input current	4 A
Rated frequency range	50-60 Hz
Rated supply voltage range	100-120 VAC
Rated output power	240 W
Rated standby power consumption	< 0.2 W
Duty cycle	2 Min. ON (120 W) / 18 Min. OFF or 0.5 Min. ON (240 W), 0.5 Min. ON (120 W) / 9 Min. OFF
Dimensions (l x w x h)	182.96 mm x 65.20 mm x 37.20 mm (7.203" x 2.567" x 1.465")
Ambient conditions during operation	+5 °C to +40 °C at max. 68% relative air humidity (non-condensing), up to an altitude of 2,000 m.
Ambient conditions during transport and storage	-25 °C to +40 °C at max. 68% relative air humidity (non-condensing). +40 °C to 60 °C at max. 32% relative air humidity (non-condensing). Temperatures of more than 40 °C for periods not exceeding 10h. Product must be acclimatised to acceptable operating conditions before assembly. Contact LOGICDATA for exact specifications.
Compatibility	Part of the DYNAMIC MOTION System
Degree of protection (IEC 60529)	IP 20
Applicable standards	FCC Title 47 subpart 15 unintended radiator ICES-003 Information Technology Equipment Dodd Frank Act
Interference immunity to ESD in accordance with EN 61000-6-2	Contact discharge 4kV Air discharge 8kV
Order code	DMP240-US └──────────────────┘ Domestic Mains Supply (US/EU)