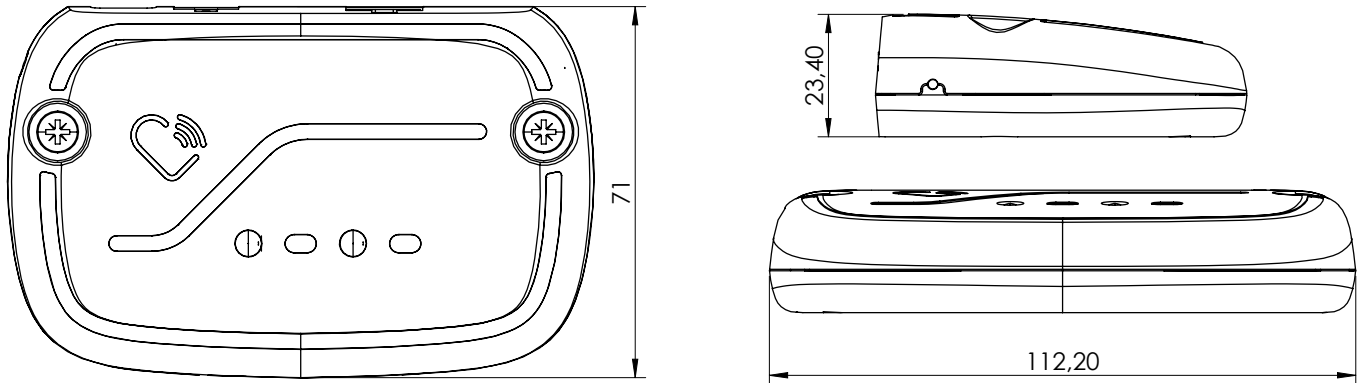


SILVERsensor



TECHNICAL DATA

Dimensions (sensor) (l x w x h)	112.20 mm x 71.00 mm x 23.40 mm
Rated Input voltage	5 VDC (with YSS-CBL-STANDARD cable) 29 VDC (with YSS-CBL-LITE cable)
Rated input current	< 300 mA
Ambient conditions (operation)	+5 °C to +40 °C at max. 68% relative air humidity (non-condensing), up to an altitude of 2,000 m
Ambient conditions (transport/storage)	-25 °C to +40 °C at max. 68% relative air humidity (non-condensing). +40 °C to 60 °C at max. 32% relative air humidity (non-condensing). Temperatures of more than 40 °C for periods not exceeding 10h. Product must be acclimatized to acceptable operating conditions before assembly. Contact LOGICDATA for exact specifications
Wireless working frequency	2.4 GHz
IP Protection (IEC 60529)	IP20
Compatibility:	FRAMEcontrol (with YSS-CBL-STANDARD cable) LIBERTYcontrol (with YSS-CBL-LITE cable)
Interface / connector types	MicroUSB (Standalone power); 6-pin Minifit (System connector); 6-pin Microfit (additional sensor connector); Bluetooth 4.1 and higher.
Immunity to ESD interference (EN 61000-4-2)	Conducted discharge: level 3 6kV Air discharge: level 3 8kV
Applicable standards	FCC CFR 47 Part 15 Subpart B/C Dodd-Frank Act (1502) California Proposition 65
Package dimensions (l x w x h)	174 mm x 114 mm x 50 mm
Order code	ACS-SILVERSENSOR-LD

Contact Headquarters

LOGICDATA Electronic & Software Entwicklungs GmbH
Wirtschaftspark 18, 8530 Deutschlandsberg, office.at@logicdata.net

North America

LOGICDATA North America Inc., 5300 Broadmoor Ave SE,
Suite D, Grand Rapids, MI 49512, USA, office.na@logicdata.net

