



DYNAMIC MOTION **system**

DMUI- touch-C-IL-LD

In Line with Expectations.

DESCRIPTION

Sleek. The DMUI-touch-C-IL-LD Handset opens a gateway to the power of the DYNAMIC MOTION system with a stunning, low-profile design that fits seamlessly into the line of the table top. With its large, comfortable buttons and crystal-clear display, the DMUI-touch-C-IL-LD provides exceptional movement control and magnificent ergonomic design. Users gain a range of intelligent features, including a display available in inches or centimeters, a key lock, and a programmable memory function for up to 2 positions.

FEATURES

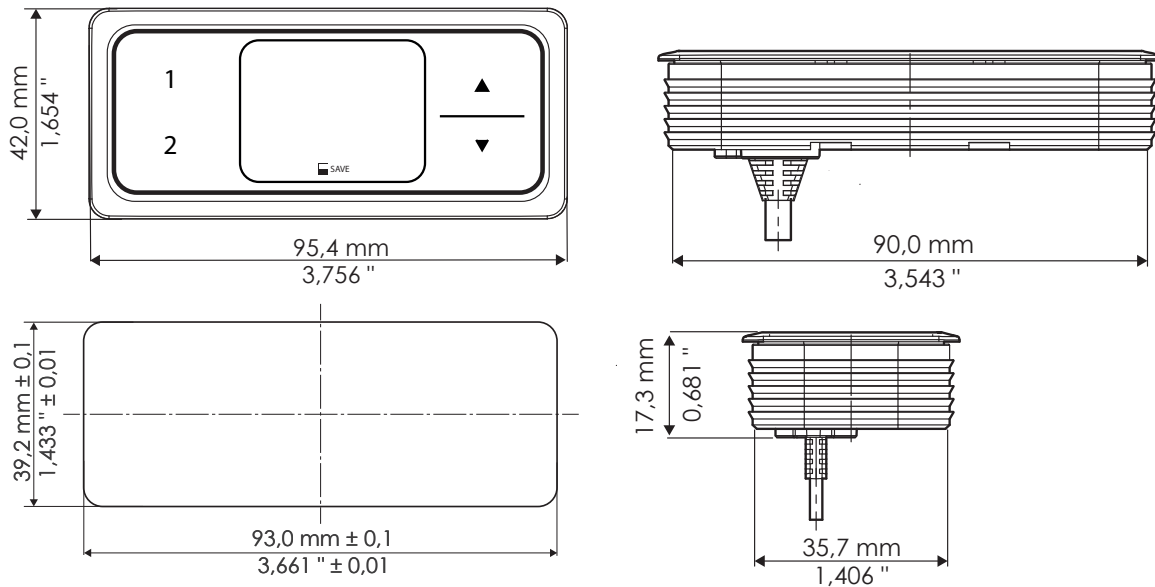
- Fully-customizable Hand Control
- Control of up to 2 Actuator groups
- Ergonomic design with outstanding look and feel
- Responsive Up / Down function
- Stunning inlay mounting
- Key Lock
- 4-digit display in inches or cm

Contact Headquarters

LOGICDATA Electronic & Software Entwicklungs GmbH
Wirtschaftspark 18, 8530 Deutschlandsberg, office.at@logicdata.net


North America

LOGICDATA North America Inc., 5300 Broadmoor Ave SE,
Suite D, Grand Rapids, MI 49512, USA, office.na@logicdata.net



TECHNICAL DATA

Supply voltage	28.5 V DC
Current Consumption (average active)	30 mA
Current Consumption (standby)	<1 mA
Cable length	1 800 mm / 70.866" (± 50 mm / 1.967")
Dimensions (l x w x h)	42.0 x 95.4 x 17.3 mm / 1.654" x 3.756" x 0.681"
Dimensions (milled cut-out)	39.2 x 93.0 mm / 1.433" x 3.661" (± 0.1 mm / 0.01")
Ambient conditions during operation	+5 °C to +40 °C at max. 68% relative air humidity (non-condensing), up to an altitude of 2,000 m.
Ambient conditions during transport and storage	-25 °C to +40 °C at max. 68% relative air humidity (non-condensing). +40 °C to 60 °C at max. 32% relative air humidity (non-condensing). Temperatures of more than 40 °C for periods not exceeding 10h. Product must be acclimatised to acceptable operating conditions before assembly. Contact LOGICDATA for exact specifications.
Compatibility	Part of the DYNAMIC MOTION System
Degree of protection (IEC 60529)	IP 20
Standards and regulations	EMC directive 2014/30/EU RoHS directive 2011/65/EU Dodd Frank Act Section 1502
Order Code	DMUI-TOUCH-C-IL-y-z


 Reserved, standard is blank
 Customer Code, up to 3 characters, standard is "LD"