



DYNAMIC MOTION **system**  
**DMItouch I**  
**On the level.**

## DESCRIPTION

**Discreet.** The DMItouch I gets your table exactly where you want it. A crystal-clear, lay-flat display panel and two Memory Positions mean full control is always at your fingertips.

## FEATURES

- Fully-customizable Hand Switch
- 2 Memory Positions
- Screwless fixing with rubber ribs
- Lay-flat mounting into the table top

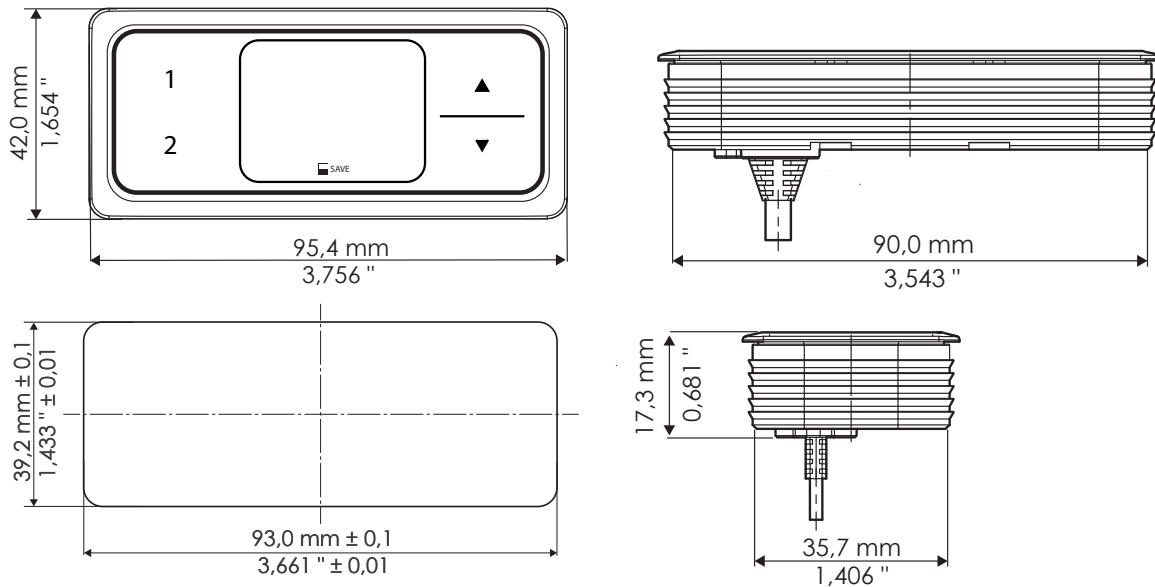
### Contact Headquarters

LOGICDATA Electronic & Software Entwicklungs GmbH  
Wirtschaftspark 18, 8530 Deutschlandsberg, [office.at@logicdata.net](mailto:office.at@logicdata.net)

### North America

LOGICDATA North America Inc., 5300 Broadmoor Ave SE,  
Suite D, Grand Rapids, MI 49512, USA, [office.na@logicdata.net](mailto:office.na@logicdata.net)





## TECHNICAL DATA

<b>Supply voltage</b>	28.5 V DC
<b>Current Consumption (average active)</b>	12 mA
<b>Current Consumption (standby)</b>	<0.15 mA
<b>Cable length</b>	1 800 mm / 70.866" (± 50 mm / 1.967")
<b>Dimensions (l x w x h)</b>	42.0 × 95.4 × 17.3 mm / 1.654" × 3.756" × 0.681"
<b>Dimensions (milled cut-out)</b>	39.2 × 93.0 mm / 1.433" × 3.661" (± 0.1 mm / 0.01")
<b>Ambient conditions during operation</b>	+5 °C to +40 °C at max. 68% relative air humidity (non-condensing), up to an altitude of 2,000 m.
<b>Ambient conditions during transport and storage</b>	-25 °C to +40 °C at max. 68% relative air humidity (non-condensing). +40 °C to 60 °C at max. 32% relative air humidity (non-condensing). Temperatures of more than 40 °C for periods not exceeding 10h. Product must be acclimatised to acceptable operating conditions before assembly. Contact LOGICDATA for exact specifications.
<b>Compatibility</b>	Part of the DYNAMIC MOTION System
<b>Degree of protection (IEC 60529)</b>	IP 20
<b>Standards and regulations</b>	EMC directive 2014/30/EU RoHS directive 2011/65/EU
<b>Order Code</b>	<b>DMUI-TOUCH-C-IL-KM-y-z</b>

Reserved, standard is blank  
 Customer Code, up to 3 characters, standard is "LD"