



WHITE



BLACK



SILVER

LOGICflex F1-US

- Sixfold width adjustable
- Unique leg shaping and design
- Clean, crisp design
- Single-stage
- Basic or comfort handset
- 3 standard colors
- Intelligent System Protection
- 2 integrated sensors
- Brushless motor technology
- Ultra-quiet operation
- Constant speed
- Plug & Play technology
- Simple & fast set up
- Compact & e-Commerce designed packaging
- **Made in EU**

Contact Headquarters

LOGICDATA Electronic & Software Entwicklungs GmbH
Wirtschaftspark 18, 8530 Deutschlandsberg, office.at@logicdata.net

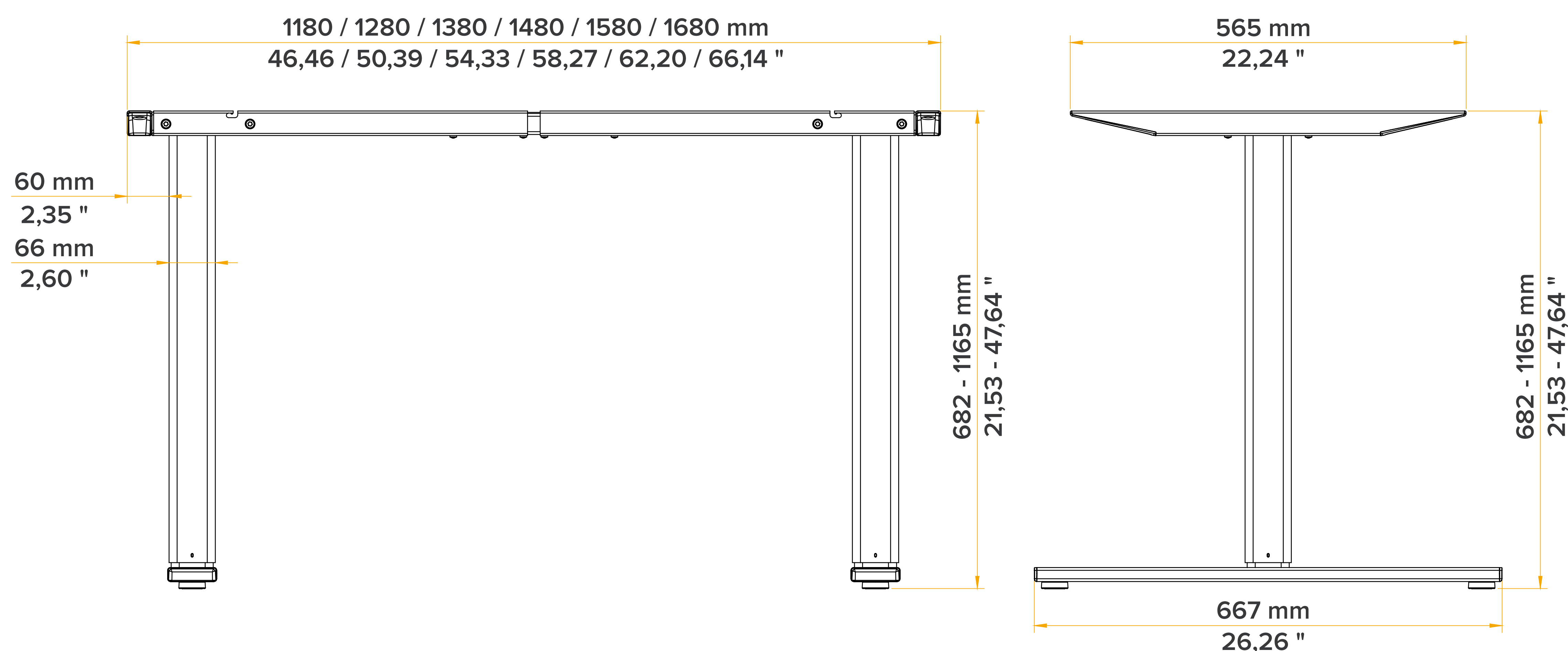
North America

LOGICDATA North America Inc., 5300 Broadmoor Ave SE,
Suite D, Grand Rapids, MI 49512, USA, office.na@logicdata.net



www.logicdata.net

The **LOGICflex** family is a range of adjustable frames that represents the perfect package for retailers and end users. Optimized for e-commerce – with flawless user experience, technology and stunning design – each frame adjusts perfectly to the needs of your business and customers. Choose between fixed-width (S-Series) and adjustable-width (F-Series) versions to suit whatever design you have in mind.



TECHNICAL DATA LOGICflex F1-US

Stroke	483 mm 19 inch
Travel range (without top) [inch, mm]	682 - 1165 mm 26.9- 45.9 inch
Lifting capacity (without top)	100 kg 220.5 lbs
Adjustment speed	38 mm/s 1.5 inch/s
Weight (Frame)	23 kg 51 lbs
Dimensions (Packaging)	1140 x 190 x 225 mm 44.9 x 7.5 x 8.9 inch
Weight (Packaging)	26 kg 57 lbs
Handset Options	DMUI-HSM, DMUI-HSU
Available Colors	White, Black, Silver
Ambient conditions during transport and storage	Temperature between -35°C and 85°C Temperature over 50°C only for periods not exceeding 72h Maximum relative humidity between 95% and 5% (lower allowed)
Ambient conditions during operation	Temperature between 5°C and 40°C Maximum relative humidity between 95% and 68% (lower allowed)
Certificates & Standards	EN ISO 12100:2013 DIN EN ISO 13854: 2020 01 EN 60335-1:2012 EN 527-1:2011 05 EN 527-2:2016+A1:2019-05 EN 62233:2008 EN IEC 61000-6-1:2019 EN 61000-6-3/A1:2011 03 EN 61000-3-2:2014 EN 61000-3-3:2014 ISO 13849-1:2015 ISO 13849-2:2013, PLb AfPS GS 2019:01 - PAH
Order Code	eFLEX-F1-US-WHT-LDS-00 eFLEX-F1-US-BLK-LDS-00 eFLEX-F1-US-SLV-LDS-00

Contact Headquarters

LOGICDATA Electronic & Software Entwicklungs GmbH
Wirtschaftspark 18, 8530 Deutschlandsberg, office.at@logicdata.net

North America

LOGICDATA North America Inc., 5300 Broadmoor Ave SE,
Suite D, Grand Rapids, MI 49512, USA, office.na@logicdata.net

