



WHITE



BLACK



SILVER

# LOGICflex F2-EU

- Sixfold width adjustable
- Unique leg shaping and design
- Clean, crisp design
- Dual-stage
- Basic or comfort handset
- 3 standard colors
- Intelligent System Protection
- 2 integrated sensors
- Brushless motor technology
- Ultra-quiet operation
- Constant speed
- Plug & Play technology
- Simple & fast set up
- Compact & e-Commerce designed packaging
- **Made in EU**

## Contact Headquarters

LOGICDATA Electronic & Software Entwicklungs GmbH  
Wirtschaftspark 18, 8530 Deutschlandsberg, [office.at@logicdata.net](mailto:office.at@logicdata.net)

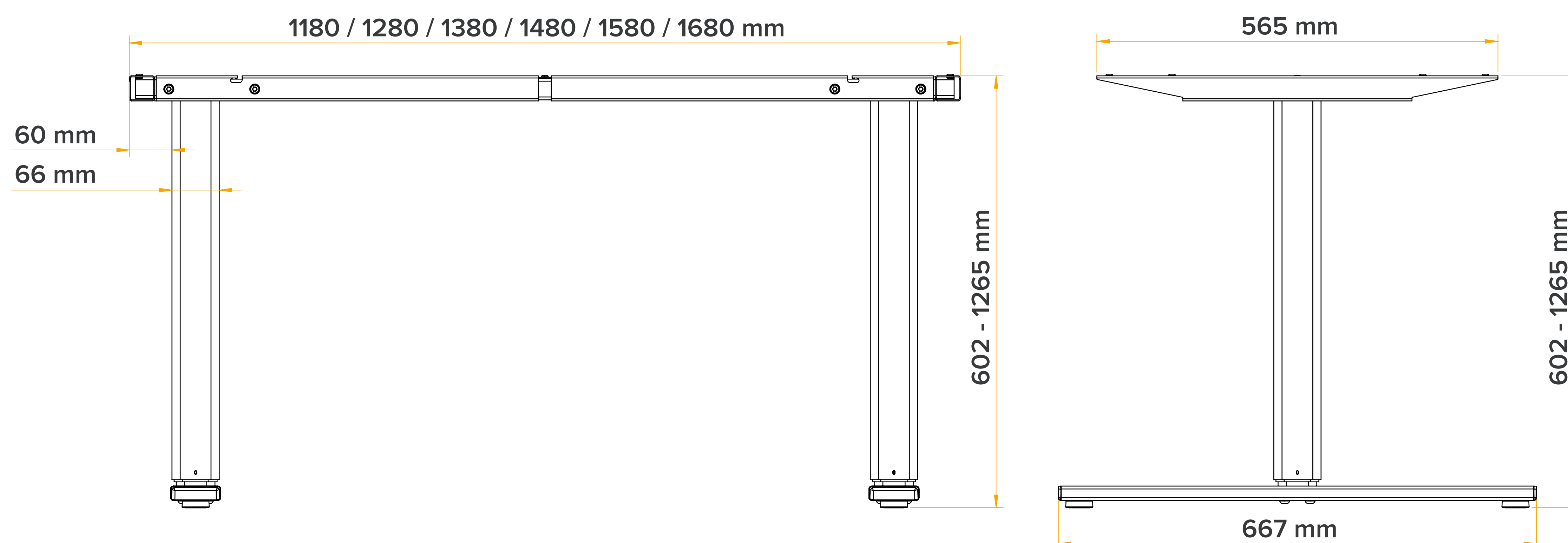
## North America

LOGICDATA North America Inc., 5300 Broadmoor Ave SE,  
Suite D, Grand Rapids, MI 49512, USA, [office.na@logicdata.net](mailto:office.na@logicdata.net)



[www.logicdata.net](http://www.logicdata.net)

The **LOGICflex** family is a range of adjustable frames that represents the perfect package for retailers and end users. Optimized for e-commerce – with flawless user experience, technology and stunning design – each frame adjusts perfectly to the needs of your business and customers. Choose between fixed-width (S-Series) and adjustable-width (F-Series) versions to suit whatever design you have in mind.



## TECHNICAL DATA LOGICflex F2-EU

<b>Stroke</b>	663 mm   26.1 inch
<b>Travel range (without tabletop)</b>	602 - 1265 mm   23.7 - 49.8 inch
<b>Lifting capacity (without tabletop)</b>	100 kg   220.5 lbs
<b>Adjustment speed</b>	38 mm/s   1.5 inch/s
<b>Weight (Frame)</b>	23 kg   51 lbs
<b>Dimensions (Packaging)</b>	1140 x 190 x 225 mm   44.9 x 7.5 x 8.9 inch
<b>Weight (Packaging)</b>	26 kg   57 lbs
<b>Handset Options</b>	DMUI-HSM, DMUI-HSU
<b>Available Colors</b>	White, Black, Silver
<b>Ambient conditions during transport and storage</b>	Temperature between -35°C and 85°C Temperature over 50°C only for periods not exceeding 72h Maximum relative humidity between 95% and 5% (lower allowed)
<b>Ambient conditions during operation</b>	Temperature between 5°C and 40°C Maximum relative humidity between 95% and 68% (lower allowed)
<b>Certificates &amp; Standards</b>	EN ISO 12100:2013   DIN EN ISO 13854: 2020 01   EN 60335-1:2012   EN 527-1:2011 05   EN 527-2:2016+A1:2019-05   EN 62233:2008   EN IEC 61000-6-1:2019   EN 61000-6-3/A1:2011 03   EN 61000-3-2:2014   EN 61000-3-3:2014   ISO 13849-1:2015   ISO 13849-2:2013, PLb   AfPS GS 2019:01 - PAH
<b>Order Code</b>	eFLEX-F2-EU-WHT-LDS-00 eFLEX-F2-EU-BLK-LDS-00 eFLEX-F2-EU-SLV-LDS-00

### Contact Headquarters

LOGICDATA Electronic & Software Entwicklungs GmbH  
Wirtschaftspark 18, 8530 Deutschlandsberg, [office.at@logicdata.net](mailto:office.at@logicdata.net)

### North America

LOGICDATA North America Inc., 5300 Broadmoor Ave SE,  
Suite D, Grand Rapids, MI 49512, USA, [office.na@logicdata.net](mailto:office.na@logicdata.net)

