



White



Black



Silver

# LOGICflex F2-EU

The Flexible All-rounder.

## DESCRIPTION

The LOGICflex family is a range of adjustable frames that represents the perfect package for retailers and end users. Optimized for e-commerce – with flawless user experience, technology and stunning design – each frame adjusts perfectly to the needs of your business and customers. Choose between fixed-width (S-Series) and adjustable-width (F-Series) versions to suit whatever design you have in mind.

## FEATURES

- Sixfold width adjustable
- Unique leg shaping and design
- Clean, crisp design
- Intelligent system protection
- 2 integrated sensors
- Brushless motor technology
- Plug & play technology
- Simple & fast set up
- Compact & e-commerce designed packaging
- Made in EU

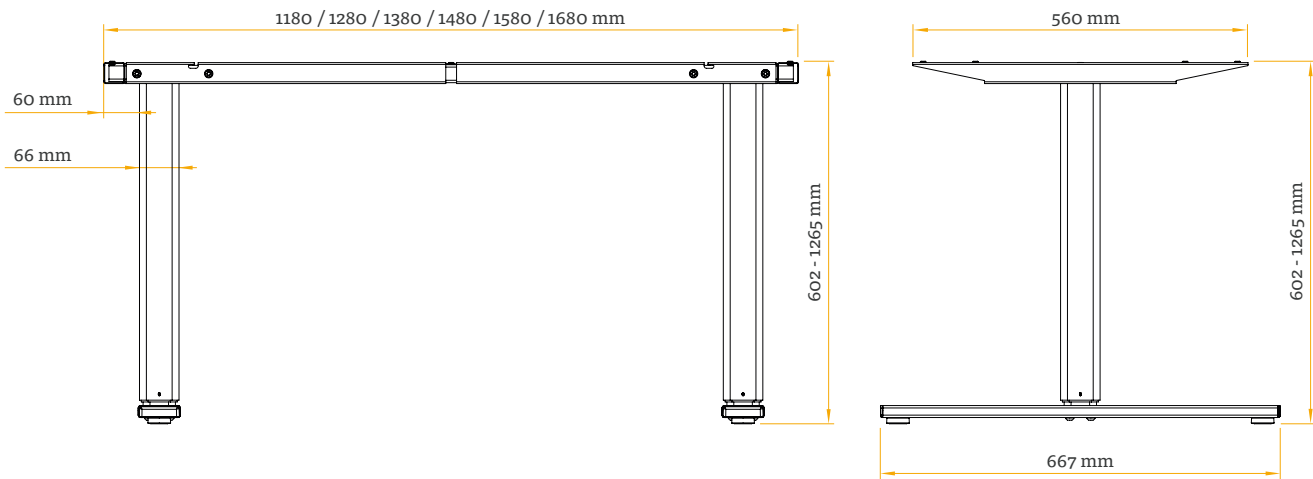
### Contact Headquarters

LOGICDATA Electronic & Software Entwicklungs GmbH  
Wirtschaftspark 18, 8530 Deutschlandsberg, [office.at@logicdata.net](mailto:office.at@logicdata.net)

### North America

LOGICDATA North America Inc., 5300 Broadmoor Ave SE,  
Suite D, Grand Rapids, MI 49512, USA, [office.na@logicdata.net](mailto:office.na@logicdata.net)





## TECHNICAL DATA

<b>Frame size</b>	1180 - 1680 mm
<b>Travel range (without tabletop)</b>	602 mm ( $\pm 40$ mm) - 1265 mm ( $\pm 40$ mm)
<b>Stroke</b>	663 mm
<b>Adjustment speed</b>	38 mm/s
<b>Lifting capacity (without tabletop)</b>	100 kg
<b>Weight (frame only)</b>	23 kg
<b>Weight (packaging)</b>	26 kg
<b>Dimensions (packaging)</b>	1140 x 190 x 225 mm
<b>Available colors</b>	White non-structured, Black non-structured, Silver non-structured
<b>Ambient conditions during transport and storage</b>	Temperature between $-35^{\circ}\text{C}$ and $85^{\circ}\text{C}$ Temperature over $50^{\circ}\text{C}$ only for periods not exceeding 72 h Maximum relative humidity between 95% and 5% (lower allowed)
<b>Ambient conditions during operation</b>	Temperature between $5^{\circ}\text{C}$ and $40^{\circ}\text{C}$ Maximum relative humidity between 95% and 68% (lower allowed)
<b>Applied standards</b>	EN ISO 12100   DIN EN ISO 13854   EN 60335-1   EN 527-1   EN 527-2   EN 62233   EN IEC 61000-6-1   EN 61000-6-3   EN 61000-3-2   EN 61000-3-3   ISO 13849-1   ISO 13849-2, PLb   AfPS GS 2019:01 - PAH
<b>Order code</b>	Example: LOGICflex-F2-EU-WHT-LDS-oo LOGICflex-Ao-BB-CCC-DDD-oo

