



White



Black



Silver

LOGICflex F2-US

The Flexible All-rounder.

DESCRIPTION

The LOGICflex family is a range of adjustable frames that represents the perfect package for retailers and end users. Optimized for e-commerce – with flawless user experience, technology and stunning design – each frame adjusts perfectly to the needs of your business and customers. Choose between fixed-width (S-Series) and adjustable-width (F-Series) versions to suit whatever design you have in mind.

FEATURES

- Sixfold width adjustable
- Unique leg shaping and design
- Clean, crisp design
- Intelligent system protection
- 2 integrated sensors
- Brushless motor technology
- Plug & play technology
- Simple & fast set up
- Compact & e-commerce designed packaging
- Made in EU

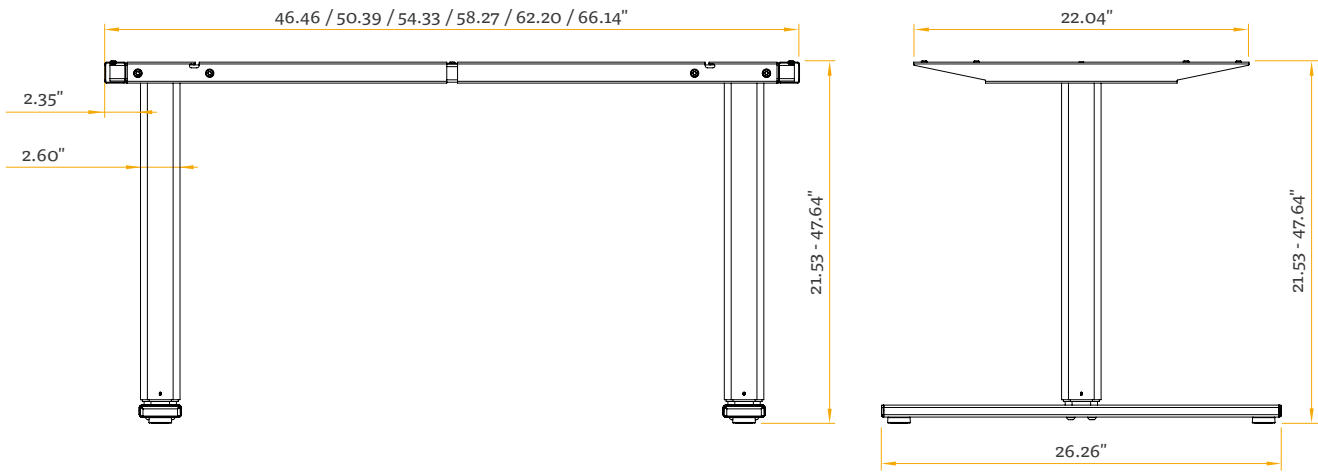
Contact Headquarters

LOGICDATA Electronic & Software Entwicklungs GmbH
Wirtschaftspark 18, 8530 Deutschlandsberg, office.at@logicdata.net


North America

LOGICDATA North America Inc., 5300 Broadmoor Ave SE,
Suite D, Grand Rapids, MI 49512, USA, office.na@logicdata.net





TECHNICAL DATA

Frame size	46.46" - 66.14"
Travel range (without tabletop)	21.53" ($\pm 1.6"$) - 47.64" ($\pm 1.6"$)
Stroke	26.1"
Adjustment speed	1.5"/s
Lifting capacity (without tabletop)	220.5 lbs
Weight (frame only)	51 lbs
Weight (packaging)	57 lbs
Dimensions (packaging)	44.9" x 7.5" x 8.9"
Available colors	White non-structured, Black non-structured, Silver non-structured
Ambient conditions during transport and storage	Temperature between -35°C and 85°C Temperature over 50°C only for periods not exceeding 72 h Maximum relative humidity between 95% and 5% (lower allowed)
Ambient conditions during operation	Temperature between 5°C and 40°C Maximum relative humidity between 95% and 68% (lower allowed)
Certificates	 (E529430)
Applied standards	UL962 BIFMA X5.5
Order code	Example: LOGICflex-F2-US-WHT-LDS-00 LOGICflex-Ao-BB-CCC-DDD-00

