



OPTIMUS Program 2-leg Frame

Made to measure.

DESCRIPTION

The OPTIMUS Frame 2-leg Version with DC-technology can be whatever you want it to be – built for ultimate modularity and convenience for OEMs. With plug and play technology and bulk packaging as standard, you'll be ready to create legendary products in no time. Choose the perfect LOGICleg design and foot style, in standard or custom colors. Choose the perfect hand control. Press the button and go OPTIMUS!

FEATURES

- Unique sheet metal design
- Clean and slim design
- Optimized cable management
- Electric screwdriver ready
- Overall Modularity
- Plug & Play technology
- Simple & fast set up
- Bulk & eCommerce designed packaging
- Made in EU

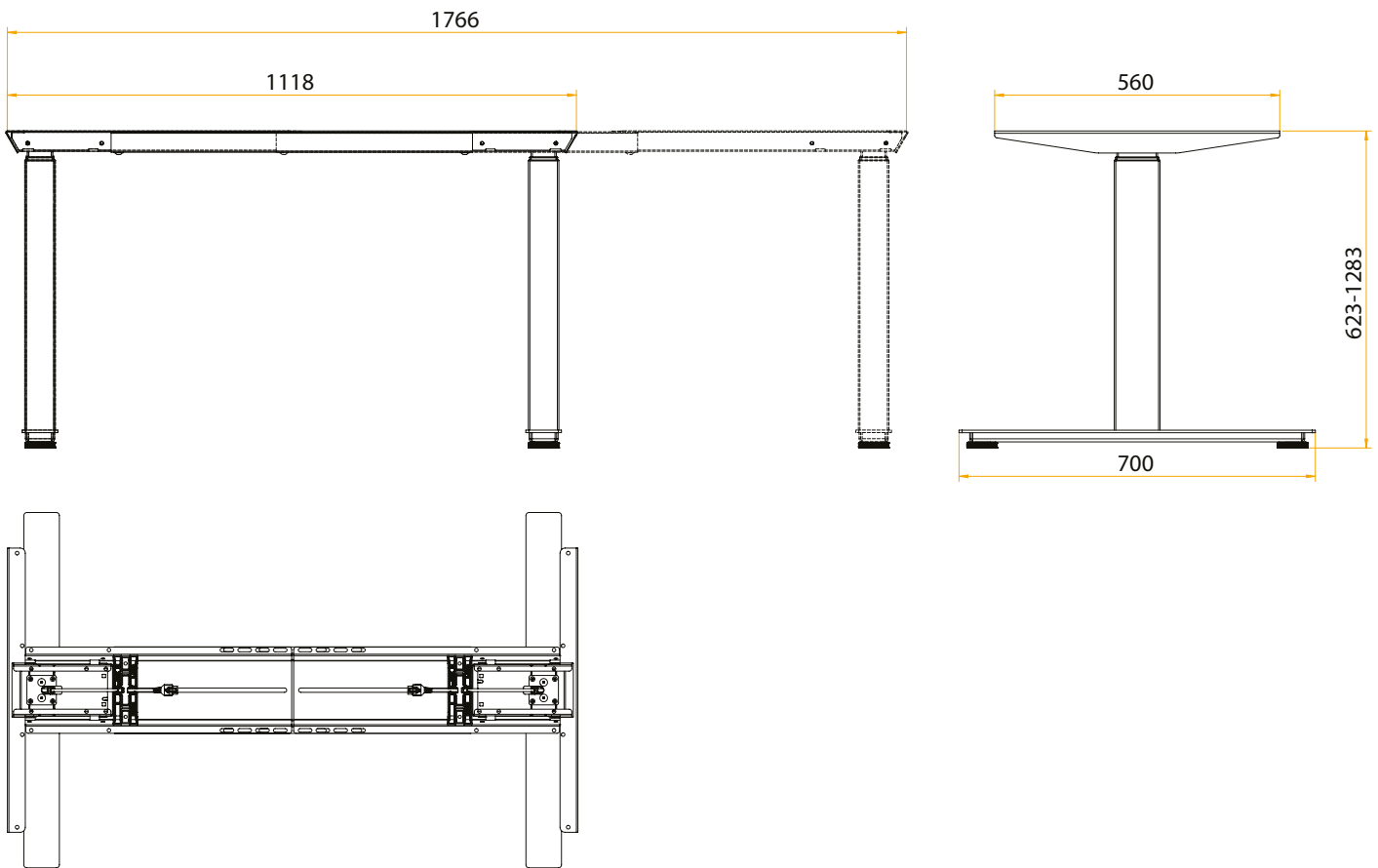
Contact Headquarters

LOGICDATA Electronic & Software Entwicklungs GmbH
Wirtschaftspark 18, 8530 Deutschlandsberg, office.at@logicdata.net

North America

LOGICDATA North America Inc., 13617 Woodlawn Hills Dr.,
Cedar Springs, MI 49319, USA, office.na@logicdata.net





TECHNICAL DATA

Frame size	1118 mm - 1766 mm
Travel range (without tabletop)	623 mm (± 5 mm) - 1283 mm (± 5 mm)
Stroke	660 mm
Adjustment speed max	up to 60 mm/sec (with reduced load)
Lifting capacity (without tabletop)	up to 120 kg equally loaded
Input rating	230 V / 50 - 60 Hz / 2 A
Duty cycle	1 min. ON / 9 min. OFF
Weight (frame only)	± 7.4 kg
Weight (complete system)	≤ 28.5 kg
Noise level	Low noise level
Available colors	Black (non-)structured / White (non-)structured / Silver (non-)structured

Ambient conditions during transport and storage

Temperature between -35°C and 80°C
Temperature over 50°C only for periods not exceeding 72h
Maximum relative humidity between 95% and 5% (lower allowed)

Ambient conditions during operations

Temperature between 5°C and 40°C
Maximum relative humidity between 95% and 68% (lower allowed)

Certificates

Type approved safety / „Bauartgeprüft“



Applied standards

DGUV Grundsatz 315-410/09.2021 | DIN EN 527-2/07.2019
DIN EN 527-1/08.2011 | EK5/AK3 13-01:2018

Order code

Example OPTIMUS-S2-RE1-3S-DCR-EU-W01-LDS-00

OPTIMUS-A0-BB0-CD-EEE-FF-G00-HHH-00

