



DCDinline D

Slim, swift and easy.

DESCRIPTION

The DCDinline is a dual stage actuator for telescoping function. It is ready to be installed in thick-end-up and thick-end-down columns and is compatible with LOGICDATA's vast selection of hand switches, control units, and accessories.

FEATURES

- Only 40 mm in diameter
- Dual stage, telescopic function
- Optimized sound Performance
- Increased maximum speed
- BIFMA X5.5 & EN527-1/2

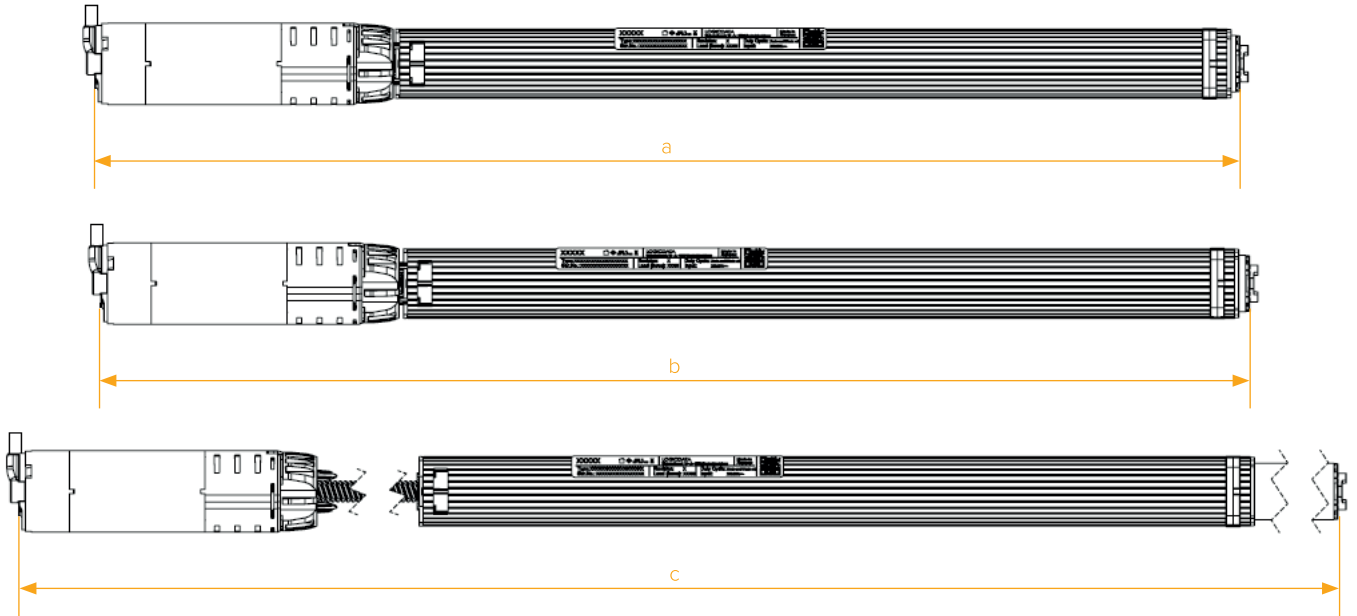
Contact Headquarters

LOGICDATA Electronic & Software Entwicklungs GmbH
Wirtschaftspark 18, 8530 Deutschlandsberg, office.at@logicdata.net

North America

LOGICDATA North America Inc., 13617 Woodlawn Hills Dr.,
Cedar Springs, MI 49319, USA, office.na@logicdata.net





TECHNICAL DATA

Input rating	28 V DC, 4 A
Maximum static load (control box disconnected)	1000 N
Lifting capacity	800 N
Speed	Up to 60 mm/s
Ambient conditions during operation	+5 °C to +40 °C at max. 68% relative air humidity (non-condensing), up to an altitude of 2000 m
Ambient conditions during transport and storage	-35 °C to +40 °C at max. 68% relative air humidity (non-condensing). +40 °C to +80 °C at max. 5% relative air humidity (non-condensing). Temperatures of more than +40 °C for periods not exceeding 10h. Product must be acclimatised to acceptable operating conditions before assembly.
Retracted length (a) (during reset)	562.6 mm ±2 mm
Installation length (b) (customizable)	564.6 mm ±2 mm
Extended length (c)	1226.6 mm ±3 mm
Maximal usable stroke	662 mm ±1 mm
Cable length	1300 mm
Outer diameter (max)	40 mm
Weight	1150g
Compliant regulations	EMC directive 2014/30/EU RoHS directive 2011/65/EU REACH Regulation 1907/2006/EC Dodd Frank Act Section 1502 Directive on Machinery 2006/42/EC

Order code

Example DCDinline-DR-TED-563-LDS-xy
DCDinline-a-b-c-d-e

Variant (S for single- or D for dual
stage, R for regular)



Customer code up to 15 characters

Customer code - Standard is LDS

Orientation (TED thick end down, TEU
thick end up, NNN for single stage)

Retracted length in mm