



# DMIpaddle C

**Make Your Move.**

## DESCRIPTION

**Limitless.** The DMIpaddle C adds ultimate comfort to lift-and-push paddle adjustment for LOGICDATA's DYNAMIC MOTION system. With an in-built OLED display for system information – and the opportunity to store sit and stand positions – it has never been easier to lift the paddle and raise the standard for your adjustable system.

## FEATURES

- Stunning ergonomic design
- Intuitive up / down motion control
- OLED display for system information
- Under-desk mounting
- Sit and stand memory positions
- Multi-functional button

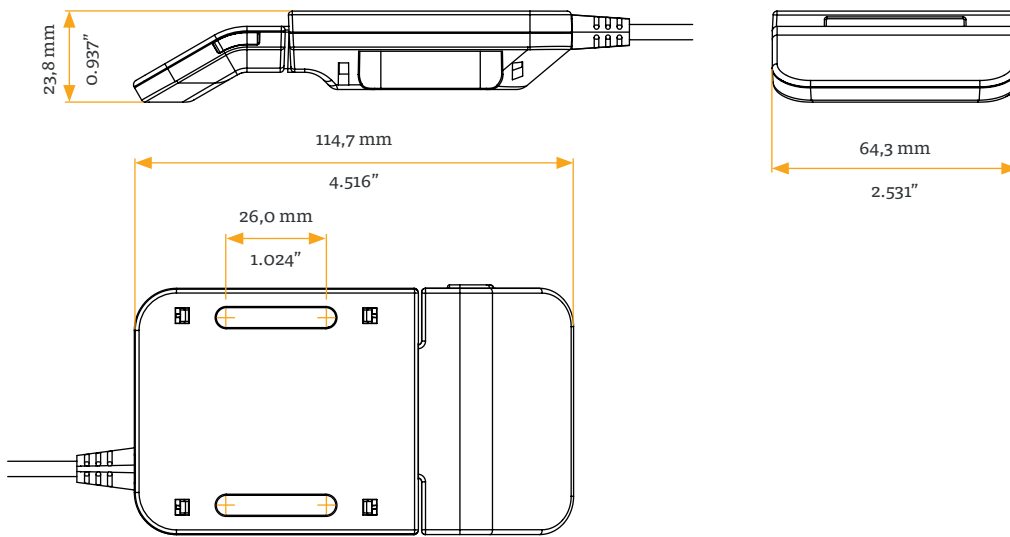
### Contact Headquarters

LOGICDATA Electronic & Software Entwicklungs GmbH  
Wirtschaftspark 18, 8530 Deutschlandsberg, [office.at@logicdata.net](mailto:office.at@logicdata.net)

### North America

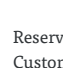
LOGICDATA North America Inc., 13617 Woodlawn Hills Dr.,  
Cedar Springs, MI 49319, USA, [office.na@logicdata.net](mailto:office.na@logicdata.net)





## TECHNICAL DATA

<b>Rated Supply voltage</b>	28,5 V DC $\pm$ 5%
<b>Current Consumption (average)</b>	50 mA
<b>Current Consumption (standby)</b>	<2 mA
<b>Cable length</b>	1 800 mm / 70.866" ( $\pm$ 50 mm / 1.967")
<b>Dimensions (l x w x h)</b>	114,7 mm x 64,3 mm x 23,8 mm / 4.516" x 2.531" x 0.937"
<b>Weight</b>	62 g / 0.136 lbs (without cable)
<b>Ambient conditions during operation</b>	+5 °C to +40 °C at max. 68% relative air humidity (non-condensing), up to an altitude of 2 000 m
<b>Ambient conditions during transport and storage</b>	-25 °C to +40 °C at max. 68% relative air humidity (non-condensing). +40 °C to 60 °C at max. 32% relative air humidity (non-condensing). Temperatures of more than 40 °C for periods not exceeding 10h. Product must be acclimatised to acceptable operating conditions before assembly. Contact LOGICDATA for exact specifications.
<b>Compatibility</b>	Part of the DYNAMIC MOTION system
<b>Degree of protection (IEC 60529)</b>	IP 20
<b>Standards and regulations</b>	RoHS - Directive 2011/65/EU; PAH - AfPS GS 2019:01; CP65 - California Proposition 65; UL 62368-1
<b>Order code</b>	DMipaddle-C-y-z

 Reserved, standard is blank  
 Customer Code, up to 3 characters, standard is "LD"