



SMARTneo

Command and Control.

DESCRIPTION

Dominant. The next generation in the growing dynasty of SMART Control Boxes by LOGICDATA, the SMARTneo is a content evolution of mechatronic technology: its slim, low-profile housing facilitating total freedom in design. Featuring an integrated, highly sensitive collision detection system, this (r)evolutionary product represents the best value all-in-one Control Box on the market today. Renowned Austrian quality, competitive prices.

FEATURES

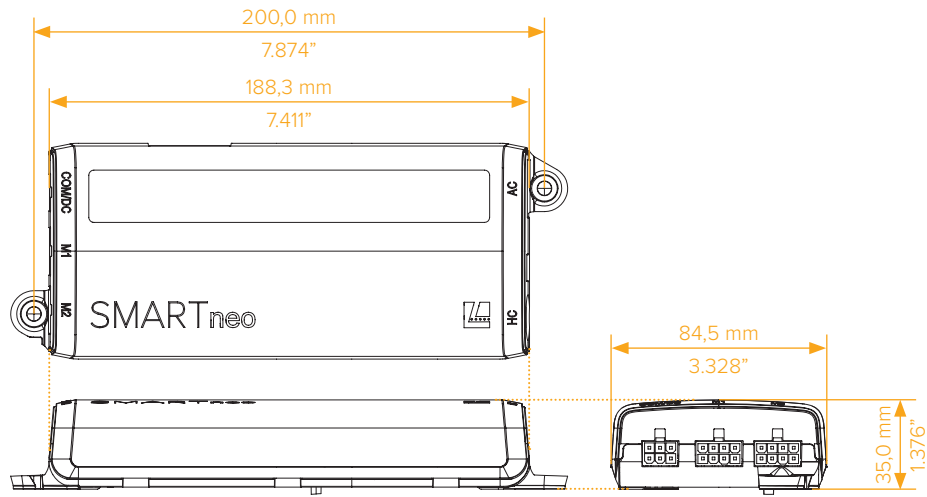
- 240 W output power
- Cost-effective SMPS
- Improved driving dynamics: increased responsiveness and smooth start/stop
- Integrated collision sensor with high sensitivity
- Sit/stand memory for Basic Hand Controls
- LOGICcell compatibility for standalone/mobile desk solutions
- Value-for-money 4-drive systems with optimized cascading handling
- Slim, low-profile design (height 35 mm)

Contact Headquarters

LOGICDATA Electronic & Software Entwicklungs GmbH
Wirtschaftspark 18, 8530 Deutschlandsberg, office.at@logicdata.net

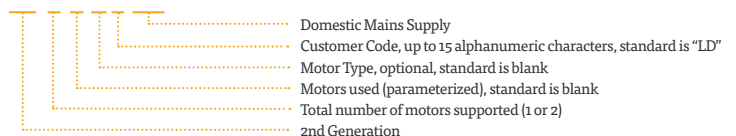
North America

LOGICDATA North America Inc., 13617 Woodlawn Hills Dr.,
Cedar Springs, MI 49319, USA, office.na@logicdata.net



TECHNICAL DATA

Rated input current	2 A
Rated frequency	50-60 Hz
Rated input voltage	220-240 VAC
Rated output power	240 W
Duty cycle	2 Min. ON (120W) / 18 Min. OFF or 0,5 Min. (240 W), 0,5 Min. (120W) / 9 Min. OFF
Dimensions (l* x w x h)	200,0 mm x 84,5 mm x 35,0 mm (7.874" x 3.328" x 1.376")
Ambient conditions during operation	+5 °C to +40 °C at max. 68% relative air humidity (non-condensing), up to an altitude of 2 000 m.
Ambient conditions during transport and storage	-25 °C to +40 °C at max. 68% relative air humidity (non-condensing). +40 °C to +60 °C at max. 32% relative air humidity (non-condensing). Temperatures of more than +40 °C for periods not exceeding 10h. Product must be acclimatised to acceptable operating conditions before assembly. Contact LOGICDATA for exact specifications.
Compatibility	Visit LOGICDATA.net for a full list of compatible products.
Degree of protection (IEC 60529)	IP 20
Applicable standards	RoHS 2011/65/EU REACH regulation (EG) Nr. 1907/2006 EMV 2014/30/EU LVD directive 2014/35/EG Eco-Design directive 2009/125/ EG Machinery directive 2006/42/EC
Interference immunity to ESD in accordance with EN 61000-6-2	Contact discharge 4kV Air discharge 8kV
Order code	SMARTneo-2G-N-n-x-y-EU



*Length measured without Mounting Points. Length including Mounting Points: 218,9 mm
Distance between Mounting Points: 200,0 mm (l) | 49,2 mm (w)