



Pure and Simple.

The COSMO Sydney is a sanctuary for young, urban households with an eye for stunning ergonomic design. A perfectly-optimized core feature set – with smooth up/down motion and programmable memory positions – makes this stylish adjustable an ideal addition to the homes of users who value maximum flexibility with minimum cost, space, and fuss.

The minimalistic COSMO Sydney not only provides the flexibility that users desire, it does so via a low-profile design that means moving the bed – from room to room or to whole new living spaces – incredibly simple. In fact, a single person can assemble the entire bed frame in just a few minutes.

KEY PRODUCT FEATURES

- Low-profile frame with the smallest packaging
- Single-person assembly in just a few minutes
- Head Up and Foot Up
- Wireless Remote Control
- Child Lock
- Pre-set Flat Button
- 2 pre-defined Memory Positions
- Emergency Lowering
- Free-fall Design
- Zero clearance
- 700 lbs Weight Limit
- 10-Year Limited Warranty

Available sizes:

Twin XL, Queen, King, Cal King
(other sizes on request)

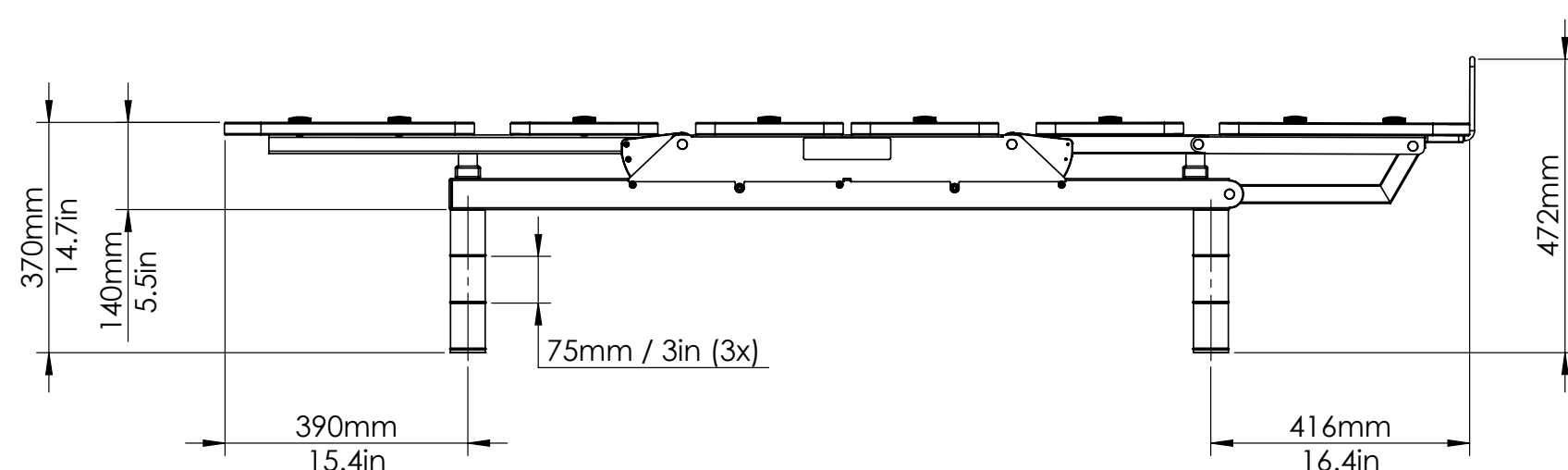
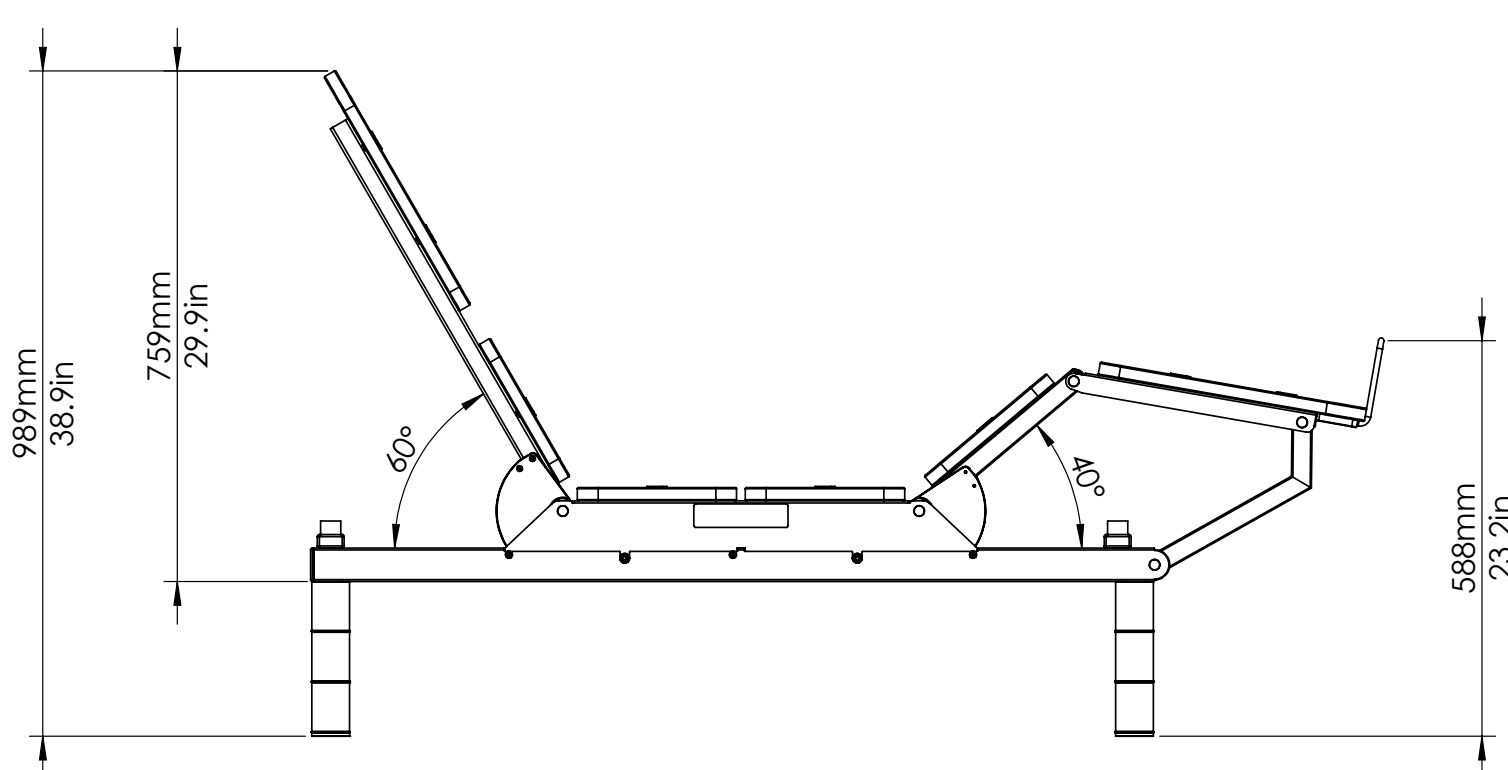
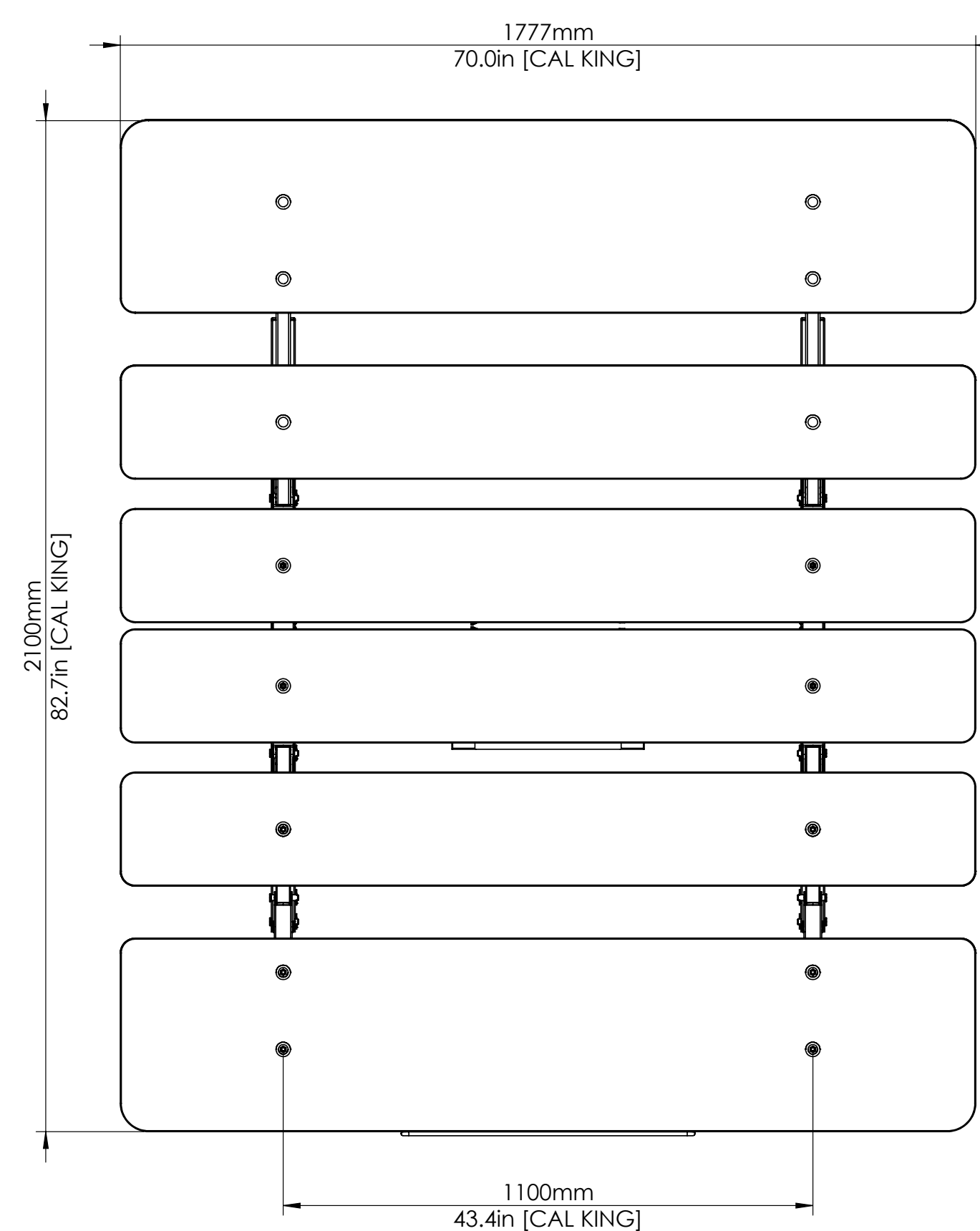
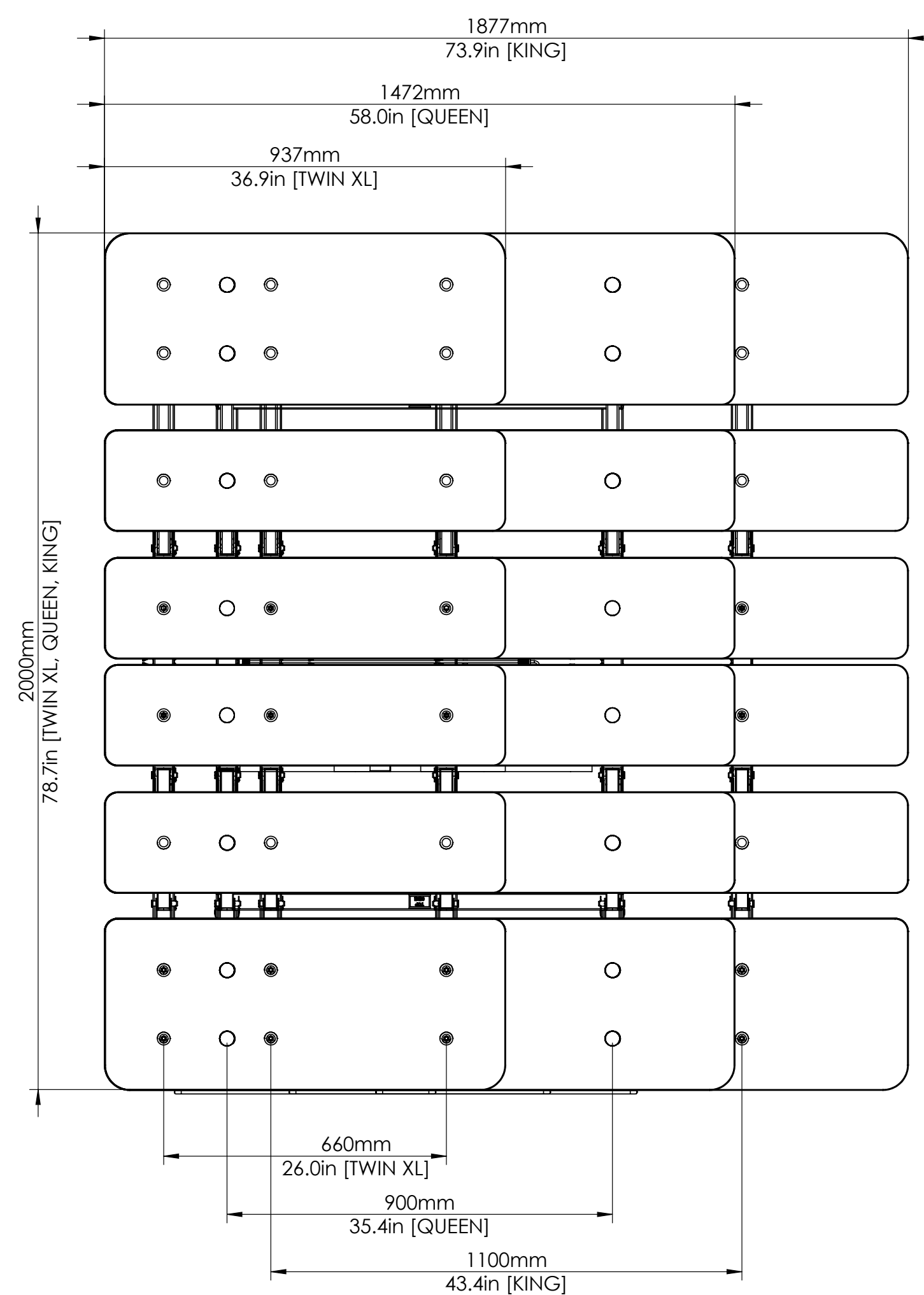
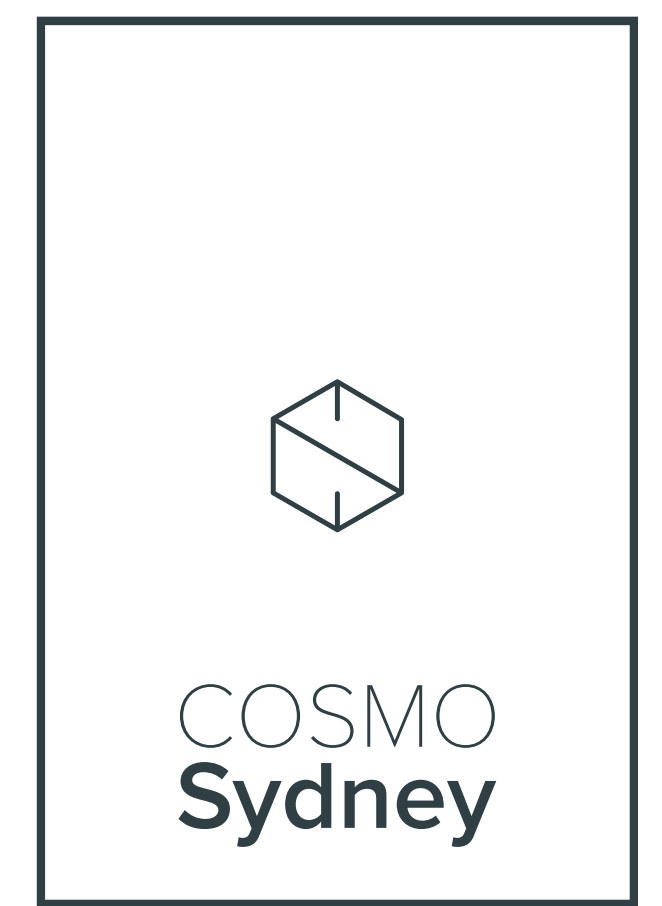
Contact Headquarters

LOGICDATA Electronic & Software Entwicklungs GmbH
Wirtschaftspark 18, 8530 Deutschlandsberg, office.at@logicdata.net

North America

LOGICDATA North America Inc., 13617 Woodlawn Hills Dr NE,
Cedar Springs, MI 49319, USA, office.na@logicdata.net





Technical data

Input voltage	100-240 VAC 3A
Rated input current	2.2 A
Standby power consumption	1.8 W
Ambient conditions (operation)	+5 °C to +40 °C at max. 68% relative air humidity (non-condensing), up to an altitude of 2,000 m
Ambient conditions (transport/storage)	-25 °C to +40 °C at max. 68% relative air humidity (non-condensing). +40 °C to 60 °C at max. 32% relative air humidity (non-condensing). Temperatures of more than 40 °C for periods not exceeding 10h. Product must be acclimatised to acceptable operating conditions before assembly. Contact LOGICDATA for exact specifications.
Max. load (including mattress)*	700 lbs (318 kg)
Wireless working frequency	2.4 GHz
IP Protection (IEC 60529)	IP20
Applicable standards	RoHS 2011/65/EU FCC CFR 47 Part 15 Subpart B/C Dodd-Frank Wall Street Reform and Consumer Protection Act
Immunity to ESD interference (EN 61000-6-2)	Conducted discharge: level 4 8kV Air discharge: level 4 15kV

* Max. Load may vary depending on Input Voltage

Contact Headquarters

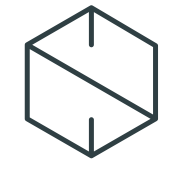
LOGICDATA Electronic & Software Entwicklungs GmbH
Wirtschaftspark 18, 8530 Deutschlandsberg, office.at@logicdata.net

North America

LOGICDATA North America Inc., 13617 Woodlawn Hills Dr NE,
Cedar Springs, MI 49319, USA, office.na@logicdata.net



www.logicdata.net



COSMO
Sydney

Weights and Dimensions

BED SIZE	KING
Recommended Mattress Size (l x w)	2032 x 1930.4 mm (80 " x 76 ")
Bed Dimensions (l x w x h***)	2000 x 1877 x 373 mm (78.7 " x 73.9 " x 14.7 ")
Package dimensions (l x w x h)	1920 x 440 x 190 mm (75.6 " x 17.3 " x 7.5 ")
Product Weight	61.5 kg (135.0 lbs)
Package Weight	65.8 kg (145.0 lbs)
Order code	SFS-SLM-KNG-LDS-A

BED SIZE	CALIFORNIA KING
Recommended Mattress Size (l x w)	2134 x 1829 (84 " x 72 ")
Bed Dimensions (l x w x h***)	2100 x 1777 x 373 mm (82.7 " x 70.0 " x 14.7 ")
Package dimensions (l x w x h)	1920 x 440 x 190 mm (75.6 " x 17.3 " x 7.5 ")
Product Weight	59.5 kg (131.0 lbs)
Package Weight	63.9 kg (141.0 lbs)
Order code	SFS-SLM-CAL-LDS-A

BED SIZE	QUEEN
Recommended Mattress Size (l x w)	2032 x 1524 mm (80 " x 60 ")
Bed Dimensions (l x w x h***)	2000 x 1472 x 373 mm (78.7 " x 58.0 " x 14.7 ")
Package dimensions (l x w x h)	1920 x 440 x 190 mm (75.6 " x 17.3 " x 7.5 ")
Product Weight	53 kg (116.0 lbs)
Package Weight	57.8 kg (127 lbs)
Order code	SFS-SLM-QEN-LDS-A

BED SIZE	TWIN XL
Recommended Mattress Size (l x w)	2032 x 990,6 mm (80 " x 39 ")
Bed Dimensions (l x w x h***)	2000 x 937 x 373 mm (78.7 " x 36.9 " x 14.7 ")
Package dimensions (l x w x h)	1920 x 440 x 150 mm (75.6 " x 17.3 " x 5.9 ")
Product Weight	42.0 kg (92.0 lbs)
Package Weight	45.0 kg (99.0 lbs)
Order code	SFS-SLM-TXL-LDS-A

***Height measured from floor to Platform surface (flat position)

Contact Headquarters

LOGICDATA Electronic & Software Entwicklungs GmbH
Wirtschaftspark 18, 8530 Deutschlandsberg, office.at@logicdata.net

North America

LOGICDATA North America Inc., 13617 Woodlawn Hills Dr NE,
Cedar Springs, MI 49319, USA, office.na@logicdata.net



www.logicdata.net