

DOCUMENT VERSION 2.0 | MARCH 2024



CBIpaddle Family

Operating Manual





CBIpaddle Family - Operating Manual

Document Version 2.0 / March 2024

This document was originally published in English.

LOGICDATA Electronic & Software Entwicklungs GmbH

Wirtschaftspark 18
8530 Deutschlandsberg
Austria

Phone: +43 (0) 3462 51 98 0
Fax: +43 (0) 3462 51 98 1030
Internet: www.logicdata.net
Email: office.at@logicdata.net



CONTENTS

1	General Information	5
1.1	Other Applicable Documents	5
1.2	Copyright	5
1.3	Royalty-Free Use of Images and Text	5
1.4	Trademarks	5
2	Safety	6
2.1	Target Audience	6
2.2	General Safety Regulations	6
2.3	Intended Use	6
2.4	Reasonably Foreseeable Misuse	6
2.5	Explanation of Symbols and Signal Words	7
2.6	Liability	7
2.7	Residual Risks	8
2.8	Skilled Persons	9
2.9	Notes for Resellers	9
3	Scope Of Delivery	10
4	Unpackaging	10
5	Product	11
5.1	Key Product Features	11
5.1.1	CBIpaddle B	11
5.1.2	CBIpaddle C	12
5.2	Dimensions	13
5.2.1	CBIpaddle B and C	13
5.3	Drilling Template	14
5.3.1	CBIpaddle B and C	14
6	Assembly	15
6.1	Safety During Assembly	15
6.2	Required Components	16
6.3	Process	16
6.4	Completing Assembly	16



7	Operation	17
7.1	Adjusting the Table Top Height	17
7.2	Saving a Memory Position (CBIpaddle C Only)	18
7.3	Adjusting the Table to a Memory Position (CBIpaddle C Only)	19
7.4	Container Stop and Shelf Stop Positions	20
7.4.1	Save a Container Stop or Shelf Stop Position	20
7.4.2	Delete a Container Stop or Shelf Stop Position	20
7.5	Changing the displayed Unit of Measurement (CM / INCH, CBIpaddle C only)	21
7.6	Performing a Position Reset Procedure	21
7.7	Factory Reset (SO Reset)	22
8	Additional Information	23
8.1	Software-Dependent Functions	23
8.2	Disassembly	23
8.3	Maintenance	23
8.3.1	Cleaning	23
8.3.2	Replacing a Handset	24
8.4	Troubleshooting	24
8.5	Disposal	24



1 GENERAL INFORMATION

Documentation for the CBIPaddle Family Handset consists of this Operating Manual and several other documents (Other applicable documents, page 5). Assembly personnel must read all documentation before starting assembly. Keep all documentation for as long as the product is in your possession. Ensure that all documentation is provided to subsequent owners. Go to www.logicdata.net for more information and support. This Manual may change without notice. The most recent version is available on our website.

1.1 OTHER APPLICABLE DOCUMENTS

This Operating Manual contains assembly and operation instructions for the CBIPaddle Family Handset. Other applicable documents include:

- Datasheet for CBIPaddle Handset
- Datasheet and Operating Manual for the Control Box in the Table System

1.2 COPYRIGHT

© March 2024 by LOGICDATA Electronic und Software Entwicklungs GmbH. All rights reserved, except for those listed in Chapter 1.3 Royalty-free use of images and text on page 5.

1.3 ROYALTY-FREE USE OF IMAGES AND TEXT

After purchase and full payment of the product, all text and images in Chapter 2 "Safety", may be used free of charge by the customer for 10 years after delivery. They should be used to prepare end user documentation for Height-Adjustable Table Systems. The license does not include logos, designs, and page layout elements belonging to LOGICDATA. The Reseller may make any necessary changes to the text and images to adapt them for the purpose of end user documentation. Texts and images may not be sold in their current state and may not be published or sublicensed digitally. The transfer of this license to third parties without permission from LOGICDATA is excluded. Full ownership and copyright of the text and graphics remain with LOGICDATA. Texts and graphics are offered in their current state without warranty or promise of any kind. Contact LOGICDATA to obtain text or images in an editable format (documentation@logicdata.net).

1.4 TRADEMARKS

Documentation may include the representation of registered trademarks of goods or services, as well as information about copyright or other proprietary expertise of LOGICDATA or third parties. In all cases, all rights remain exclusively with the respective copyright holder. LOGICDATA® is a registered trademark of LOGICDATA Electronic & Software GmbH in the USA, the European Union, and other countries.



2 SAFETY

2.1 TARGET AUDIENCE

This Operating Manual is intended for Skilled Persons only. Refer to Chapter 2.8 Skilled Persons on page 9 to ensure that personnel meet all requirements.

2.2 GENERAL SAFETY REGULATIONS

In general, the following safety regulations and obligations apply when handling the product:

- Do not operate the product unless it is in a clean and perfect condition
- Do not remove, change, bridge, or bypass any protection, safety, or monitoring equipment
- Do not convert or modify any components without written approval from LOGICDATA
- In the event of malfunction or damage, faulty components must be replaced immediately
- Unauthorized repairs are prohibited
- Do not attempt to replace hardware unless the product is in a de-energized state
- Only Skilled Persons are allowed to work with CBIPaddle Family handsets
- Ensure that national worker protection conditions and national safety and accident prevention regulations are observed during operation of the system

2.3 INTENDED USE

The products in the CBIPaddle Family Handset are for electrically Height-Adjustable Tables. They are installed by Resellers into Height-Adjustable Table systems. They are used to control Height-Adjustable Table systems via a Control Box. They are intended for indoor use only. They may only be installed in compatible Height-Adjustable Table Systems and with LOGICDATA-approved accessories. Contact LOGICDATA for further details. Use beyond or outside the intended use will void the product's warranty.

2.4 REASONABLY FORESEEABLE MISUSE


Usage outside of the intended use may lead to minor injury, serious injury, or even death. Reasonably foreseeable misuse of the Handset includes, but does not extend to:


- Connecting unauthorized parts to the product. If you are unsure as to whether a part can be used with a Handset, contact LOGICDATA for further information





2.5 EXPLANATION OF SYMBOLS AND SIGNAL WORDS

Safety Notices contain both symbols and signal words. The signal word indicates the severity of the hazard.


 **DANGER** Indicates a hazardous situation which, if not avoided, will result in death or serious injury.

 **WARNING** Indicates a hazardous situation which, if not avoided, could result in death or serious injury.

 **CAUTION** Indicates a hazardous situation which, if not avoided, could result in minor or moderate injury.

 **NOTICE** Indicates a situation which, if not avoided, could result in damage to the product through electrostatic discharge (ESD).

NOTICE Indicates a situation that will not lead to personal injury, but could lead to damage to the device or the environment.

 **INFO** Indicates the protection class of the device: Protection Class III.
Protection Class III devices may only be connected to SELV or PELV power sources.

INFO Indicates important tips for handling the product.

2.6 LIABILITY

LOGICDATA products comply with all currently applicable health and safety regulations. However, risk can result from incorrect operation or misuse. LOGICDATA is not liable for damage or injury caused by:

- Improper product use
- Disregard of the documentation
- Unauthorized product alterations
- Improper work on and with the product
- Operation of damaged products
- Wear parts
- Improperly performed repairs
- Unauthorized changes to the operating parameters
- Disasters, external influence, and force majeure

The information in this Operating Manual describes the characteristics of the product without assurances. Resellers assume responsibility for the LOGICDATA products installed in their applications. They must ensure their product complies with all relevant directives, standards, and laws. LOGICDATA shall not be held liable for any damage that is directly or indirectly caused by the delivery or use of this document. Resellers must observe the relevant safety standards and guidelines for each product in the Table System.



2.7 RESIDUAL RISKS

Residual risks are the risks that remain after all relevant safety standards have been complied with. These have been evaluated in the form of a risk assessment. Residual risks associated with the installation of the CBIPaddle Family handsets are listed here and throughout this Operating Manual. The risks associated with the system as a whole are listed in the System Manual. See also Chapter 1.1 Other Applicable Documents on page 5. The symbols and signal words used in this Operating Manual are listed in Chapter 2.5 Explanation of Symbols and Signal Words on page 7.



WARNING Risk of death or serious injury through electric shocks

CBIPaddle Family handsets are electrical devices. Although you will not have to connect the Handsets to the Control Box during assembly, basic safety precautions must be taken at all times. Failure to observe electrical safety precautions may lead to death or serious injury through electric shocks.

- Never open the Handset
- Do not convert or modify the Handset in any way
- Do not immerse the Handset or its components in liquid. Clean only with a dry or slightly damp cloth
- Do not place the Cable of the Handset on heated surfaces
- Check the housing and cables of the Handset for visible damage. Do not install or operate damaged products



WARNING Risk of death or serious injury through electric shocks

The CBIPaddle Family handsets are Protection Class III devices. They may only be supplied with safety extra-low voltage (SELV). Supplying the CBIPaddle Family handsets with the incorrect voltage may lead to death or serious injury through electric shocks.

- Only supply the CBIPaddle Family handset with safety extra-low voltage (SELV)
- Refer to the data sheet for information on the permissible supply voltage



WARNING Risk of death or serious injury in explosive atmospheres

Operating the Handset in potentially explosive atmospheres may lead to death or serious injury through explosions.

- Do not operate the Handset in potentially explosive atmospheres



CAUTION Risk of minor or moderate injury through tripping

During the assembly process, you may have to step over Cables. Tripping over Cables may lead to minor or moderate injury.

- Ensure that the assembly area is kept clear of unnecessary obstructions
- Be careful not to trip over Cables



-
- ⚠ CAUTION Risk of minor or moderate injury through crushing**
If any Handset Key becomes stuck while the system is in motion, the system may not stop properly. This may lead to minor or moderate injury through crushing.
- Disconnect the system immediately if any Handset Key becomes stuck
-

- ⚠ CAUTION Risk of minor or moderate injury through crushing**
Paddle switch can be triggered by putting a force on the trigger mechanism. The system may start moving accidentally. This may lead to minor or moderate injury through crushing.
- Use minimal clearance of 250 mm between the paddle switch and other objects in the room
 - Always use a safe distance when passing by the paddle switch
-

2.8 SKILLED PERSONS

CBIpaddle Family handsets may only be installed by Skilled Persons. A Skilled Person is defined as someone who:

- Has read and understood all documentation relevant to the Handset

2.9 NOTES FOR RESELLERS

Resellers are companies that purchase LOGICDATA products for installation in their own products.

INFO For reasons of EU conformity and product safety, Resellers should provide end users with an Operating Manual in their native EU official language

INFO The Charter of the French Language (La charte de la langue française) or Bill 101 (Loi 101) guarantees the right of the population of Quebec to conduct business and commercial activities in French. The bill applies to all products sold and used in Quebec. For table systems that will be sold or used in Quebec, Resellers must provide all product-relevant texts in French. These include, but are not limited to

- Operating Manuals
- All other product documentation, including datasheets
- Inscriptions on the product (such as labels), including those on product packaging
- Warranty certificates

The French inscription may be accompanied with a translation or translations, but no inscription in another language may be given greater prominence than that in French.

INFO Operating Manuals must include all the safety instructions that end users require to handle the product safely. They must also include an instruction to always keep the Operating Manual in the immediate vicinity of the product.



INFO No unauthorized persons (young children, persons under the influence of medications, etc.) should be allowed to handle the product.

INFO Resellers must perform a risk assessment on their product that covers residual hazards. It must include measures to mitigate risk, or reference the product's Operating Manual.

3 SCOPE OF DELIVERY

The standard scope of delivery for Handsets in the CBIPaddle Family consists of the Handset and its preattached cable. All other components necessary for installing the Handset must be supplied separately by the reseller.

4 UNPACKAGING

To unpackage the product:

1. Remove all components from the packaging
2. Check the contents of the package for completeness and damage
3. Provide the Operating Manual to the operating personnel
4. Dispose of the packaging material

NOTICE Dispose of the packaging material in an environmentally friendly manner. Remember to separate plastic parts from the cardboard packaging.



NOTICE Ensure proper ESD handling during unpackaging. Damage that can be attributed to electrostatic discharge will void warranty claims.



5 PRODUCT

The CBIpaddle Family of Handsets consists of two products: CBIpaddle B and CBIpaddle C. In general, operation and assembly of both handsets are similar with some differences that will be pointed out within this manual further on.

5.1 KEY PRODUCT FEATURES

5.1.1 CBIPADDLE B

1	Mounting Points
2	Multi-functional Key
3	Paddle Switch for UP/DOWN Function

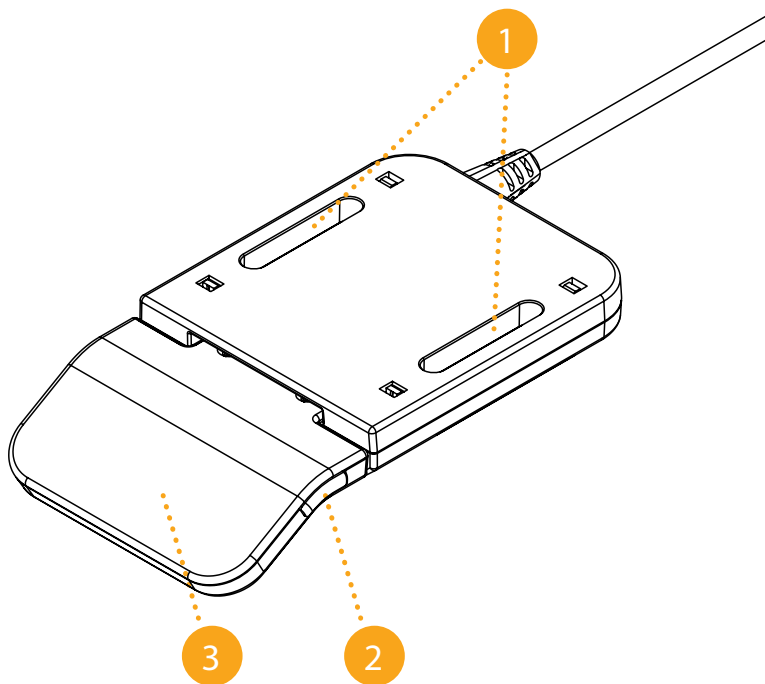


Fig. 1: Product features, CBIpaddle B



5.1.2 CBIPADDLE C

1	Mounting Points
2	Paddle Switch for UP/DOWN Function
3	Multi-functional Key
4	Display

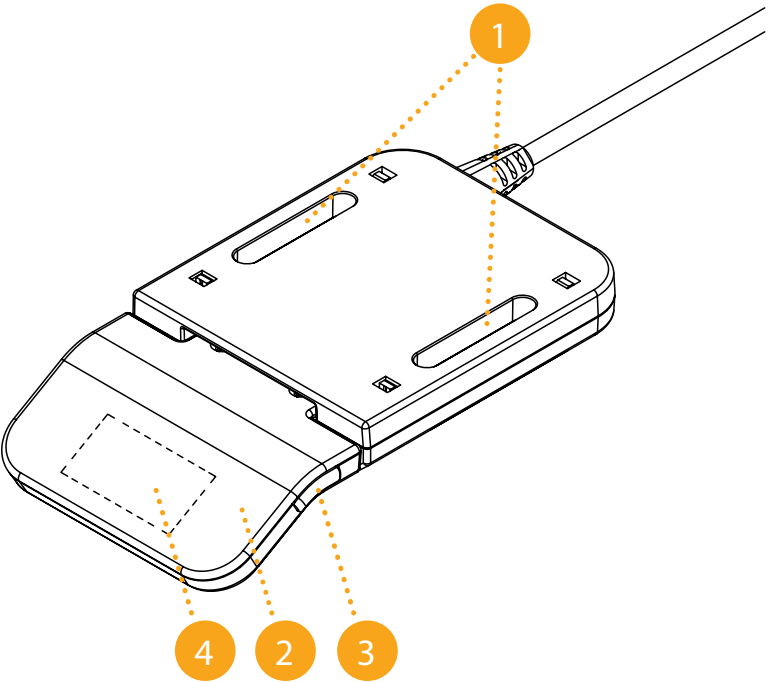


Fig. 2: Product features, CBIPaddle C



5.2 DIMENSIONS

5.2.1 CBIPADDLE B AND C

Length	114,7 mm 4.516"
Width	64,3 mm 2.531"
Height (to underside of Table Top)	23,8 mm 0.937"

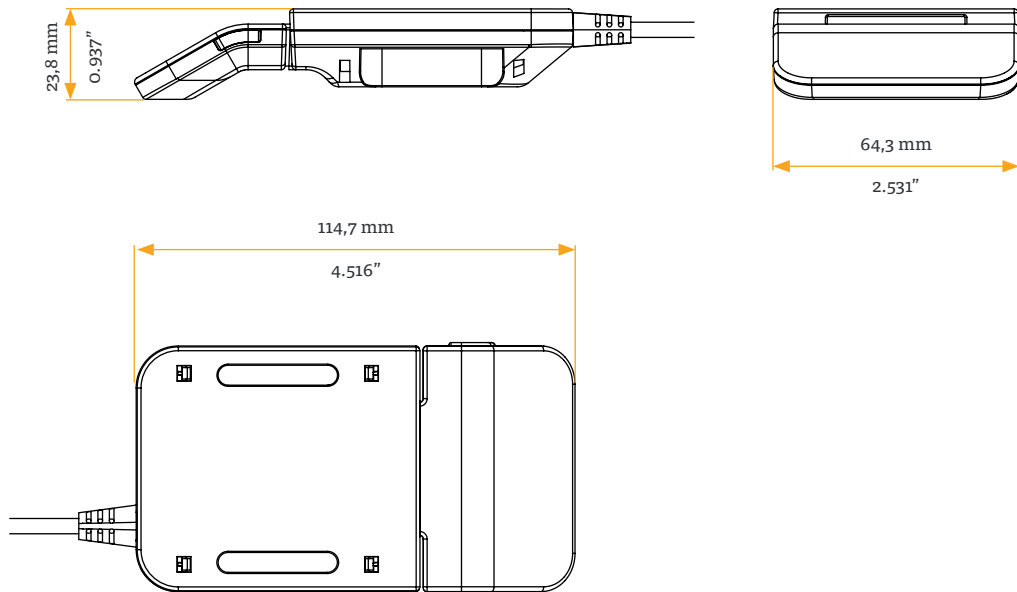


Fig. 3: Product dimensions, CBIPaddle B and C



5.3 DRILLING TEMPLATE

5.3.1 CBIPADDLE B AND C

There are two possible positions of the handset: Transportation Position and Standard Position.

The Transportation Position allows the handset to be slid underneath the tabletop so that it does not protrude from the front edge of the table during transport. To enable sliding in and out of the transportation position the holes should be drilled 64,7 mm from the front edge of the tabletop and 49 mm apart. The Side Edge of the CBIPaddle handset does not have to be flush with the Table's Side Edge. Leave a minimum of 20 mm between the outer hole and the Side Edge to ensure the CBIPaddle handset does not protrude from the side.

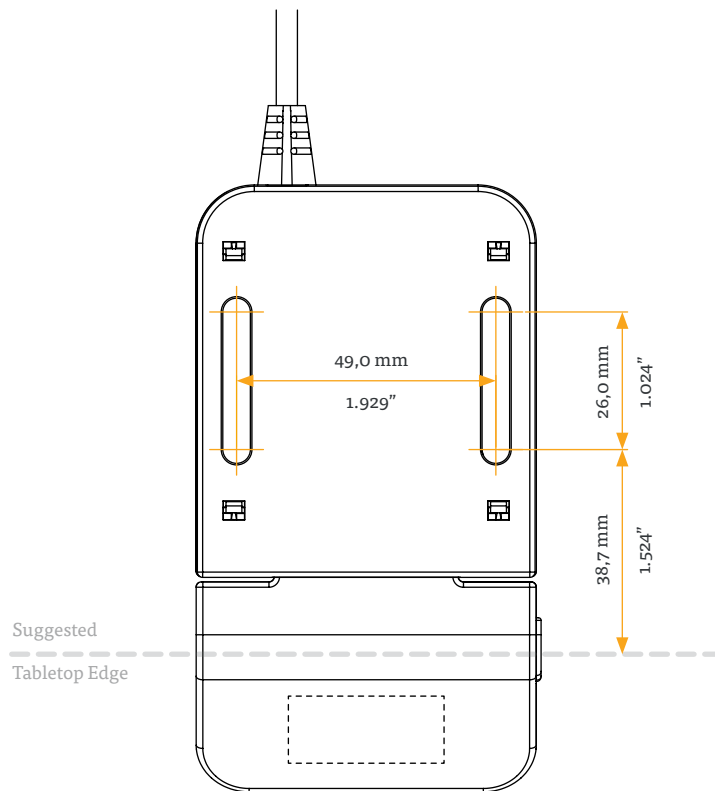


Fig. 4: Drilling template, CBIPaddle B and C



6 ASSEMBLY

This chapter describes the process of installing the CBIPaddle Family handset into the Height-Adjustable Table System.

6.1 SAFETY DURING ASSEMBLY

-
- ⚠ WARNING** **Risk of death or serious injury through electric shocks**
 CBIPaddle Family handsets are electrical devices. Basic safety precautions must be taken at all times. Failure to observe electrical safety precautions may lead to death or serious injury through electric shocks.
- Never open the Handset
 - Ensure that the Handset is not connected to the Control Box during assembly
 - Do not convert or modify the Handset in any way
 - Check the housing and cables of the Handset for visible damage. Do not install or operate damaged products.
-

- ⚠ CAUTION** **Risk of minor or moderate injury through improper handling**
 Improper handling of the product during assembly may lead to minor or moderate injury through cutting, pinching, and crushing.
- Avoid contact with sharp edges
 - Be careful while handling tools that may cause personal injury
 - Ensure assembly complies with the generally accepted standards and guidelines of electrical engineering and furniture manufacturing
 - Read all instructions and safety advice carefully
-

- ⚠ CAUTION** **Risk of minor or moderate injury through tripping**
 During assembly and operation, poorly routed Cables may become a trip hazard. Tripping over Cables may lead to minor or moderate injury.
- Ensure that Cables are routed properly to avoid trip hazards
 - Be careful not to trip over Cables when installing the Handset
-

- ⚠ NOTICE** Ensure proper ESD handling during assembly. Damage that can be attributed to electrostatic discharge will void warranty claims.
-

NOTICE To avoid damage to the product, measure the dimensions of the Handset before assembly.

NOTICE Before assembly, all parts must be acclimatised to the ambient conditions.

NOTICE Do not lift the Handset by its cable. This will cause irreparable damage to the product.

INFO Perform a product risk assessment so that you can respond to potential residual hazards. Assembly instructions must be included in your end user Operating Manual.



6.2 REQUIRED COMPONENTS

1x	CBIpaddle Family Handset
2x	Mounting Screws (supplied by reseller)
Tool	Drill or Drilling Machine
Tool	Screwdriver

INFO

Screw specifications

The mounting slots on the housing have a width of 5.3 mm and depth of 7 mm.

The mounting screws should have 5 mm external thread diameter, 10 mm head diameter and 16 mm - 20 mm thread length.

Recommended are SPAX universal screws with pan head or SPAX wood construction screws with washer head.

Do not use screws with countersunk head.

6.3 PROCESS

1. Position the handset under the tabletop and mark the position of the mounting points, or use the Drilling Template on page 14 to help you.
2. Drill the holes for the Mounting Screws into the Table Top at the marked points.
3. Use the screwdriver and Mounting Screws to attach the Handset to the Table Top at the drilled holes.

NOTICE

The required tightening torque depends on the material of the Table Top. Do not exceed 2 Nm.

6.4 COMPLETING ASSEMBLY

After the CBIpaddle Family handset is attached to the Table Top, you must connect the Cable to the Control Box. Refer to the manual for your chosen Control Box for instructions.



7 OPERATION

- ⚠ CAUTION Risk of minor or moderate injury through uncontrolled movement**
The table may not always stop exactly at the expected position. Failure to anticipate the table's movements may lead to minor or moderate injury through crushing.
- Wait until the system has completely stopped before attempting to use the table

- ⚠ CAUTION Risk of minor or moderate injury through crushing**
Failure to release Handset Keys correctly may result in the table failing to stop properly. This may lead to minor or moderate injury through crushing.
- Do not slide your finger to a different Handset key while another button is pressed
 - Disconnect the system immediately if any Handset Key becomes stuck

This section of the Operating Manual contains a selection of instructions for operating the Table System to which the CBIPaddle Family Handset is connected. CBIPaddle Family Handsets are compatible with a large number of LOGICDATA Control Boxes. Before using the Table System, you must also read the Operating Manual for the installed Control Box, including all relevant safety information, in full.

7.1 ADJUSTING THE TABLE TOP HEIGHT

- ⚠ CAUTION Risk of minor or moderate injury through crushing**
Your fingers may be crushed when you attempt to change the height of the table.
- Keep fingers away from moving parts
 - Ensure that no persons or objects are in the table's range of motion

INFO The Table Top will move up or down until the UP or DOWN Key is released, or if a pre-defined stopping point has been reached.

To move the Table Top UP:

Gently lift and hold the paddle until the desired height has been reached (Fig. 5).

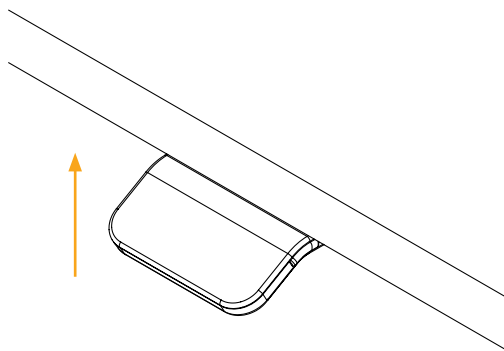


Fig. 5: Moving the Table Top Up

**To move the Table Top DOWN:**

Gently push and hold down the paddle until the desired height has been reached (Fig. 6).

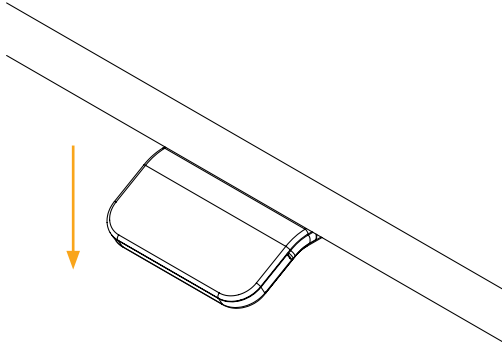


Fig. 6: Moving the Table Top Down

7.2 SAVING A MEMORY POSITION (CBIPADDLE C ONLY)

This function saves a set tabletop position. One Memory Position can be saved in the upper half of the Movement Area (standing) and one in the lower half (sitting).

1. Move the table to the desired height (Chapter 7.1).
2. Press the Multi-functional Key.
3. Shortly move and release the Paddle upwards if you are saving a standing position, downwards for sitting.





7.3 ADJUSTING THE TABLE TO A MEMORY POSITION (CBIPADDLE C ONLY)

Version A (without double-click function):

This function allows you to move the tabletop to a saved memory position.

1. Push the Paddle in the direction of the position you wish to reach (up for “Stand”, down for “Sit”).
 - ▶ The Table Top will stop when Sit or Stand Memory Position is reached and the display will indicate that Sit or Stand memory position has been reached:

SIGNAL	MESSAGE
	Sit Memory Position is reached.
	Stand Memory Position is reached.

2. To continue movement, keep holding the Paddle until the table moves again.

Version B (Auto-Movement with double-click function):

INFO The double-click function is available only for Table Systems sold in US markets.

INFO If you push the Paddle in any direction or click a Multi-functional Key while the table is moving to a Memory Position, the table will stop moving immediately. To continue, you must initiate the movement of the table again.

- ! WARNING** **Risk of minor or moderate injury through unauthorized modifications**
The control system firmware is supplied in Europe with the double-click function disabled. After enabling this functionality the safety of the end product must be evaluated.
- A risk assessment to demonstrate conformity to the requirements of Machinery Directive 2006/42/EC is required prior to use.
 - LOGICDATA is not liable for injuries or damage caused by activating the double-click function



1. Push and release the Paddle 2 times in a row in the direction of the position you wish to reach (up for “Stand”, down for “Sit”).
 - ▶ The Table Top will stop when Sit or Stand Memory Position is reached and the display will indicate that Sit or Stand memory position has been reached:

SIGNAL**MESSAGE**

Sit Memory Position is reached.



Stand Memory Position is reached.

INFO

For a list of Control Boxes supporting displaying user information when memory position is reached, please contact LOGICDATA.

7.4 CONTAINER STOP AND SHELF STOP POSITIONS

These features can limit the movement area of the Table Top (if e.g. a container is below the table or a shelf is above it). Container Stop Positions become the new lowest end position, Shelf Stop Positions the highest.

INFO

Container Stop Positions can only be saved only in the lower half of the movement area, Shelf Stop Positions in the upper half. You must set each position separately.

7.4.1 SAVE A CONTAINER STOP OR SHELF STOP POSITION

1. Use the Paddle to move the Table Top to the desired height.
2. Press and hold the **Multi-functional Key** for 10 seconds.
 - ▶ The Container Stop / Shelf Stop Position is saved (Container Stop if you are in the bottom half of the movement area, Shelf Stop if you are in the top half).
 - ▶ Control Box clicks twice.

7.4.2 DELETE A CONTAINER STOP OR SHELF STOP POSITION

1. Use the Paddle to move the Table Top to the position you wish to delete.
2. Press and hold the **Multi-functional Key** for 10 seconds.
 - ▶ The Container Stop / Shelf Stop Position is deleted (Container Stop if you are in the bottom half of the movement area, Shelf Stop if you are in the top half).
 - ▶ Control Box clicks once.




7.5 CHANGING THE DISPLAYED UNIT OF MEASUREMENT (CM / INCH, CBIPADDLE C ONLY)

Paddle can display the height of the Table Top in both centimeters and inches. To change the displayed unit of measurement: at the same time press the Multi-functional Key and push the paddle down. Hold it together for at least half a second or until the measurement unit changes on the display.

INFO For a list of Control Boxes supporting this function, please contact LOGICDATA.

7.6 PERFORMING A POSITION RESET PROCEDURE

 **CAUTION** **Risk of minor or moderate injury through crushing**
Collision Detection (ISP) is inactive during start-up and reset processes. This may lead to minor or moderate injury through crushing.

- Ensure that no persons or objects are in the table's range of motion
-

The Position Reset Procedure is used to align the position of the Actuators within the Table System. It is required before first use of the Table System.

1. Gently push and hold down the paddle until the table stops at the lower position limit
2. Release the Paddle
3. Push and hold down the Paddle again
 - ▶ The table will move down slightly, then up again
4. Release the Paddle
 - ▶ The Position Reset Procedure is complete



INFO If your Control Box has been parameterized with additional stopping points (e.g. a Container Stop Position), repeat Step 3 until the table has moved upwards again.

7.7 FACTORY RESET (S0 RESET)

INFO The ability of the Paddle Switch to use a certain Factory Reset procedure depends on the Control Box it is connected to. Always read the Control Box's Operating Manual for full instructions and safety advice.

With this function, you can reset the Control Box to its factory settings. There are two possible procedures depending on the Control Box it is connected to.

Option 1:

1. Disconnect the Control Box from the mains.
2. While disconnected, press and hold the Multi-functional Key
3. Reconnect the Control Box and hold the Multi-functional Key until there is feedback on the handset or Control Box clicks twice per second.
4. Release the Multi-functional Key.
5. Perform position reset.

Option 2:

1. Push and release the paddle in the following sequence:
 - ▶ 3x down followed by 1x up and 1x down with an approximate delay of half a second between the push and release each time.
2. The Control Box shall click twice to indicate that the procedure took place.
3. Perform position reset.

INFO Factory reset procedure is designed in a way that it is not possible to trigger it unintentionally. If the ControlBox did not click twice, you have to repeat the procedure in order to successfully execute Factory Reset



8 ADDITIONAL INFORMATION

8.1 SOFTWARE-DEPENDENT FUNCTIONS

A full list of Software-Dependent Functions can be found in the Manual of the installed Control Box.

8.2 DISASSEMBLY

To disassemble the CBIPaddle Family handset, disconnect the Control Box from the mains. Then, follow the assembly instructions in reverse order.

8.3 MAINTENANCE

All CBIPaddle Family Handsets are maintenance-free for their entire service lifetime.



WARNING Risk of death or serious injury through electric shocks and other hazards

Using a Handset alongside unauthorized spare or accessory parts may lead to death or serious injury through electric shocks and other hazards.

- Only use accessory parts produced or approved by LOGICDATA
- Only use replacement parts produced or approved by LOGICDATA
- Only allow Skilled Persons to perform repairs or install accessory parts
- Contact customer services immediately if the system malfunctions

The use of unauthorized spare or accessory parts may cause system damage. Warranty claims are void in this scenario.

8.3.1 CLEANING

1. Disconnect the Control Box from the mains.
2. Wait 30 seconds for residual voltage to dissipate.
3. Wipe the Handset with a dry or slightly damp soft cloth. Never immerse the Handset in liquid.
4. Wait for the Handset to dry completely.
5. Reconnect the Control Box.



8.3.2 REPLACING A HANDSET

1. Disconnect the Control Box from the Mains.
2. Disconnect the Handset from the Control Box.
3. Remove the Handset from the Table Top.
4. Mount the new Handset onto the Table Top.
5. Plug the Handset back into the Control Box.
6. Reconnect the Control Box to the Mains.

8.4 TROUBLESHOOTING

Usually, malfunctions occur when Handsets are pressed while calibrating. If the Handset fails to function, you will need to restart the system. To do this:

1. Unplug the Handset from the Control Box.
2. Plug the Handset back into the Control Box.
3. After a few seconds the Handset is ready for operation.

A list of common problems and their solutions can be found in the Manual of the installed Control Box.

8.5 DISPOSAL



Dispose of all components separately from household waste. Use designated collection points or disposal companies authorized for this purpose



LOGICDATA
Electronic & Software Entwicklungs GmbH
Wirtschaftspark 18
8530 Deutschlandsberg
Austria

Phone: +43 (0)3462 5198 0
Fax: +43 (0)3462 5198 1030
E-mail: office.at@logicdata.net
Internet: <http://www.logicdata.net>

LOGICDATA North America, Inc.
13617 Woodlawn Hills Dr.
Cedar Springs, MI 49319
USA

Phone: +1 (616) 328 8841
E-mail: office.na@logicdata.net



www.logicdata.net