



CBIclassic B

Instant Classic.

DESCRIPTION

Responsive. With the CBI-Classic-B, users can access the full functionality of every LOGICDATA Control Box system: quality ergonomic technology at an ultra-value price point. With unique, subtle styling creating a high-class look and feel, this popular handset delivers smooth, reliable up/down movement with every adjustment. Better yet, with LOGICDATA's world-renowned quality and durability, you can do it again, again, and again.

FEATURES

- Fully-customizable hand control
- Ergonomic design with outstanding look and feel
- Soft touch
- Responsive up / down function
- Compact under-desk mounting

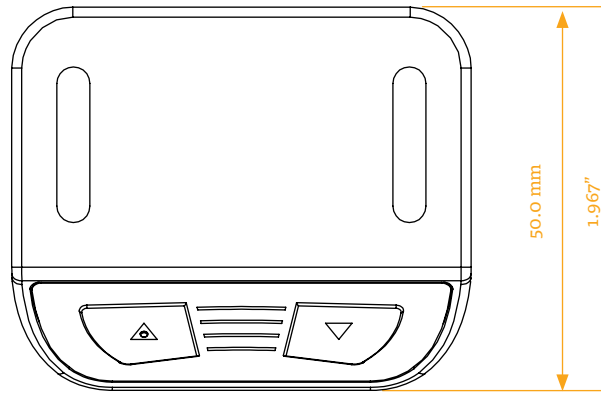
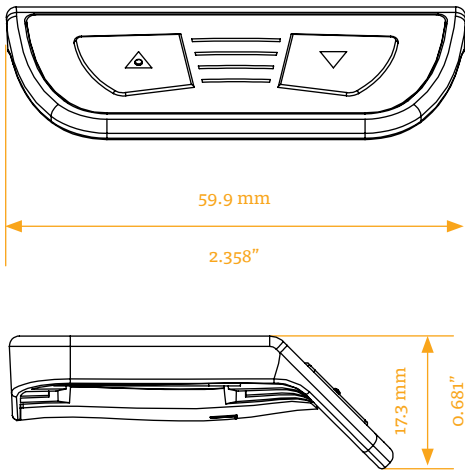
Contact Headquarters

LOGICDATA Electronic & Software Entwicklungs GmbH
Wirtschaftspark 18, 8530 Deutschlandsberg, office.at@logicdata.net

North America

LOGICDATA North America Inc., 13617 Woodlawn Hills Dr.,
Cedar Springs, MI 49319, USA, office.na@logicdata.net





TECHNICAL DATA

Supply voltage	5 V DC \pm 10%
Current consumption (average)	<1 mA
Rated switching current	50 mA
Cable length	1 800 mm / 70.866" (\pm 50 mm / 1.967")
Dimensions (l x w x h)	50.0 mm x 59.9 mm x 17.3 mm (1.969" x 2.358" x 0.681")
Weight	54.7 g
Ambient conditions during operation	+5 °C to +40 °C at max. 68% relative air humidity (non-condensing), up to an altitude of 2,000 m.
Ambient conditions during transport and storage	-25 °C to +40 °C at max. 68% relative air humidity (non-condensing). +40 °C to +60 °C at max. 32% relative air humidity (non-condensing). Temperatures of more than +40 °C for periods not exceeding 10h. Product must be acclimatised to acceptable operating conditions before assembly. Contact LOGICDATA for exact specifications.
Compatibility	All LOGICDATA Control Boxes, except integrated Control Units in the LOGICdrive and DYNAMIC MOTION families.
Degree of protection (IEC 60529)	IP 20
Standards and regulations	RoHS directive 2011/65/EU
Order code	HSM-B-UD-y-z

Reserved, standard is blank
 Customer Code, up to 3 characters, standard is "LD"