



DMDinline S

Slim, swift and easy.

DESCRIPTION

The DMDinline S is a single stage actuator for telescoping function. It is ready to be installed in thick-end-up and thick-end-down columns and is compatible with LOGICDATA's vast selection of hand switches, power supplies, and accessories.

FEATURES

- High performance brushless motor technology
- Only 40mm in diameter
- Single stage telescopic function
- Optimized sound Performance
- Increased maximum speed
- Enables compliance to BIFMA X5.5 & EN527-2

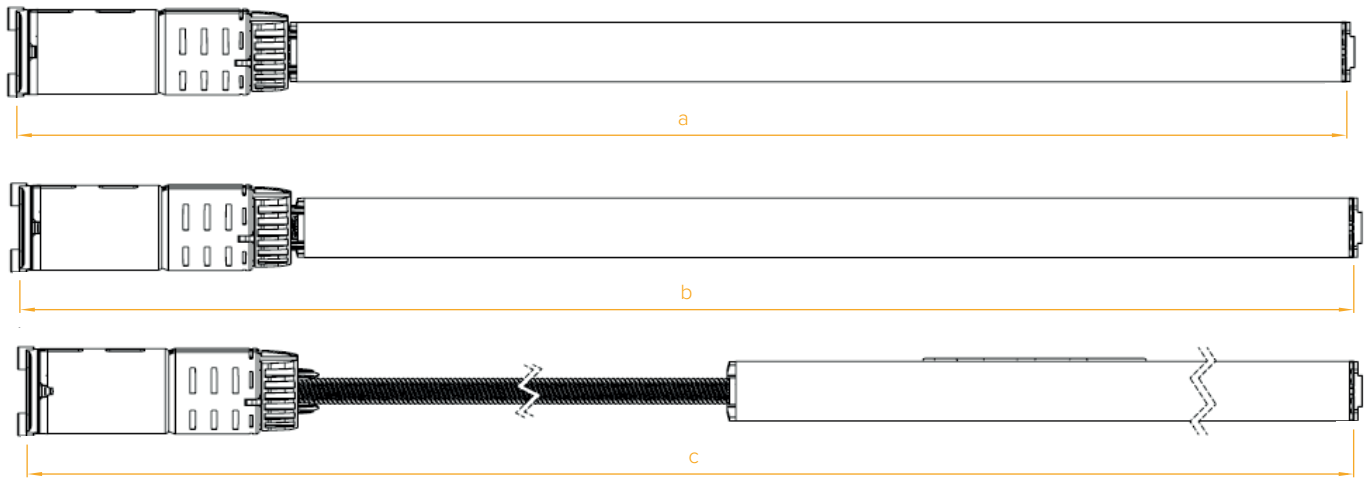
Contact Headquarters

LOGICDATA Electronic & Software Entwicklungs GmbH
Wirtschaftspark 18, 8530 Deutschlandsberg, office.at@logicdata.net

North America

LOGICDATA North America Inc., 13617 Woodlawn Hills Dr.,
Cedar Springs, MI 49319, USA, office.na@logicdata.net





TECHNICAL DATA

Input rating	28.5 V DC, 3.25 A
Maximum static load	1000 N
Lifting capacity	Up to 1000 N
Speed	Up to 45 mm/s
Ambient conditions during operation	+5 °C to +40 °C at max. 68% relative air humidity (non-condensing), up to an altitude of 2000 m
Ambient conditions during transport and storage	-35 °C to +40 °C at max. 68% relative air humidity (non-condensing). +40 °C to +80 °C at max. 5% relative air humidity (non-condensing). Temperatures of more than +40 °C for periods not exceeding 10h. Product must be acclimatised to acceptable operating conditions before assembly
Retracted length (a) (during reset)	620.3 ± 1.5 mm
Installation length (b) (customizable)	622.3 mm
Extended length (c)	1105.3 ± 2 mm
Minimal usable stroke	483 mm
Outer diameter (max)	40 mm
Weight	920 g
Compliant regulations	EMC Directive 2014/30/EU RoHS Directive 2011/65/EU REACH Regulation 1907/2006/EC Dodd Frank Act Section 1502 Directive on Machinery 2006/42/EC
Order code	Example: DMDinline-SR-NNN-620-LDS-xy DMDinline-a-b-c-d-e

Variant (S single or D dual stage, R regular) Customer code up to 15 characters
 Customer code - Standard is LDS
 Orientation (TED thick end down, TEU thick end up, NNN for single stage) Retracted length in mm