



# LOGICisp G

**Tried and trusted.**

## DESCRIPTION

The gyro sensor unit LOGICisp G offers collision detection and collision protection of electrically height-adjustable tables equipped with a COMPACT motor control. The sensor unit ensures intelligent system protection while driving.

## FEATURES

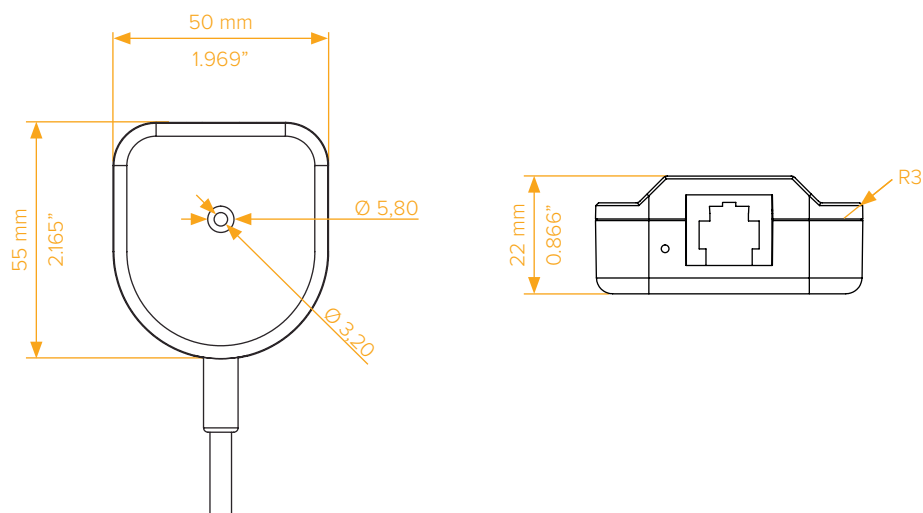
- Interactive with ISP (Intelligent System Protection)
- Collision protection and collision detection
- Sensitivity can be adjusted
- Connection to an additional sensor supported
- Compatible with COMPACT

### Contact Headquarters

LOGICDATA Electronic & Software Entwicklungs GmbH  
Wirtschaftspark 18, 8530 Deutschlandsberg, [office.at@logicdata.net](mailto:office.at@logicdata.net)

### North America

LOGICDATA North America Inc., 13617 Woodlawn Hills Dr.,  
Cedar Springs, MI 49319, USA, [office.na@logicdata.net](mailto:office.na@logicdata.net)



## TECHNICAL DATA

<b>Operating voltage</b>	5 V DC $\pm$ 10%
<b>Dimensions (l x w x h)</b>	55 mm x 50 mm x 22 mm (2.165" x 1.969" x 0.866")
<b>Cable length</b>	1200 mm (Master) 1500 mm (Slave)
<b>Weight</b>	23g (without cable)
<b>Ambient conditions in operation</b>	+5 °C to +40 °C
<b>Ambient conditions in transport and storage</b>	-35°C to +80°C Temperature over 50°C only for a limited time window not exceeding 72h. Maximum relative humidity between 95% and 5% (lower is allowed). Contact LOGICDATA for detailed information.
<b>Compatibility</b>	COMPACT
<b>Standards</b>	RoHS - Directive 2011/65/EU PAH - AfPS GS 2019:01
<b>Order code</b>	LOGICisp-G-x-y-z <ul style="list-style-type: none"> <li>┌ Reserved, standard is blank</li> <li>├ Customer Code, up to 3 characters, standard is "LD"</li> <li>└ M for Master and S for Slave variant</li> </ul>