



# CBIclassic R

Up. Down. Round.

## DESCRIPTION

**Well rounded.** Featuring a sleek inlay design and compatibility with LOGICDATA's powerful Control Box technology, the CBI Classic R adds class to any adjustable system. That's not all: ergonomic buttons, and a 3-digit height display make this the beautiful, practical way to get your table to the top.

## FEATURES

- Modern Look & Feel
- Responsive Up / Down Function
- Customizable Hand Switch
- Modern Look & Feel
- Soft Touch Buttons
- LED Height and System Information Display
- Responsive Up / Down Function
- Lay-flat mounting into the table top

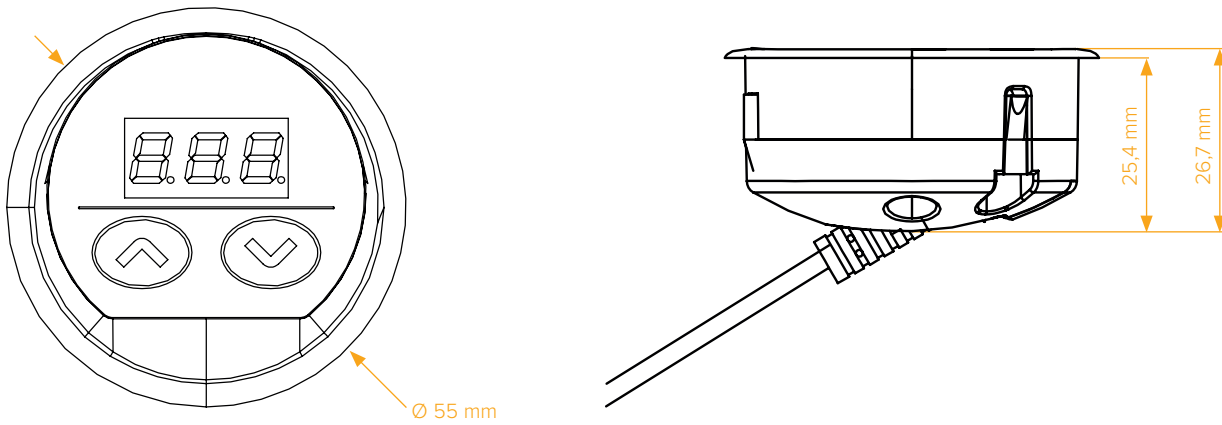
### Contact Headquarters

LOGICDATA Electronic & Software Entwicklungs GmbH  
Wirtschaftspark 18, 8530 Deutschlandsberg, [office.at@logicdata.net](mailto:office.at@logicdata.net)

### North America

LOGICDATA North America Inc., 13617 Woodlawn Hills Dr.,  
Cedar Springs, MI 49319, USA, [office.na@logicdata.net](mailto:office.na@logicdata.net)





## TECHNICAL DATA

<b>Supply voltage</b>	5 V DC $\pm$ 10%
<b>Current consumption (average)</b>	60 mA
<b>Service life</b>	10 000 cycles
<b>Cable length</b>	2 000 mm / 78.740" ( $\pm$ 50 mm / 1.969")
<b>Dimensions (diameter x height)</b>	$\varnothing$ 55 mm x 26,7 mm / 2.165" x 1.051"
<b>Dimensions (milled cut-out)</b>	$\varnothing$ 49 mm / 1.930"
<b>Weight (including cable)</b>	100 g
<b>Ambient conditions during operation</b>	+5 °C to +40 °C at max. 68% relative air humidity (non-condensing), up to an altitude of 2,000 m.
<b>Ambient conditions during transport and storage</b>	-25 °C to +40 °C at max. 68% relative air humidity (non-condensing). +40 °C to 60 °C at max. 32% relative air humidity (non-condensing). Temperatures of more than 40 °C for periods not exceeding 10h. Product must be acclimatised to acceptable operating conditions before assembly. Contact LOGICDATA for exact specifications.
<b>Compatibility</b>	All LOGICDATA Control Boxes, except integrated Control Units in the LOGICdrive and DYNAMIC MOTION families.
<b>Degree of protection (IEC 60529)</b>	IP 20
<b>Standards and regulations</b>	RoHS directive 2011/65/EU
<b>Order code</b>	HSE-FL-MDF-2-y-z

Customer Code, up to 3 characters, standard is "LD"  
 Reserved, standard is blank