



CBItouch I

Right Where You Want It.

DESCRIPTION

Streamlined. With space for two memory positions, attractive lay-flat installation, and responsive technology, the CBItouch I is the perfect blend of substance and style. Compatible with all LOGICDATA Control Boxes, the handset provides unrivalled movement control and maximum adaptability... it just slots right in.

FEATURES

- Fully customizable Hand Switch
- 2 Memory Positions
- Screwless fixing with rubber ribs
- Lay-flat mounting into the table top

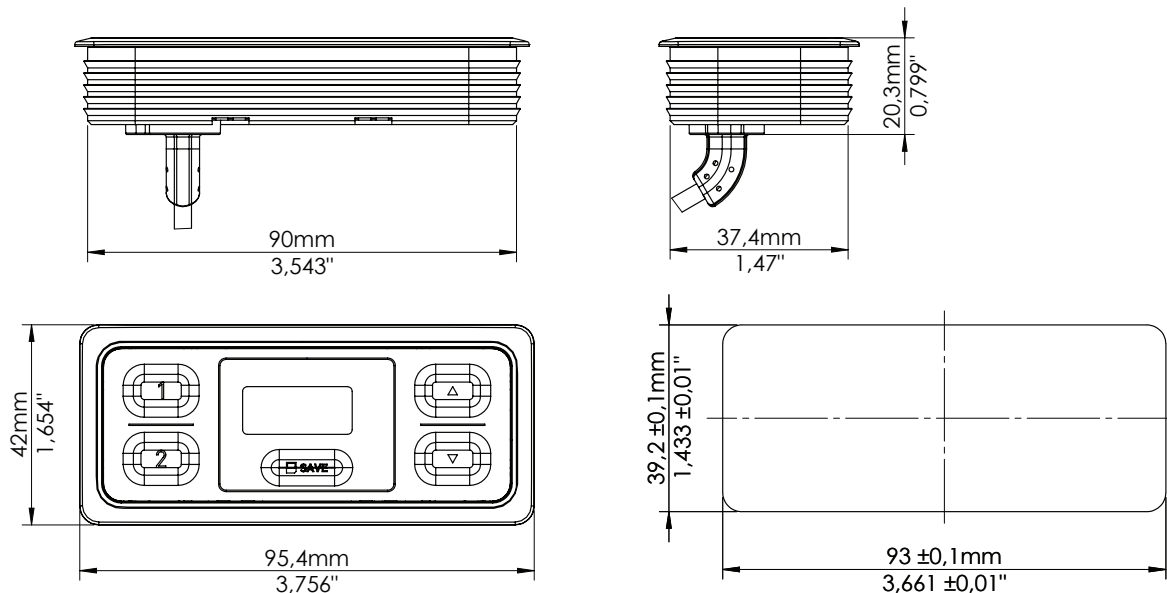
Contact Headquarters

LOGICDATA Electronic & Software Entwicklungs GmbH
Wirtschaftspark 18, 8530 Deutschlandsberg, office.at@logicdata.net

North America

LOGICDATA North America Inc., 5300 Broadmoor Ave SE,
Suite D, Grand Rapids, MI 49512, USA, office.na@logicdata.net





TECHNICAL DATA

Supply voltage	5 V DC \pm 10%
Current Consumption (average)	10 mA
Current Consumption (standby)	<0.1 mA
Cable length	2 000 mm / 78.740" (\pm 40 mm / 1.575")
Dimensions (l x w x h)	42.0 x 95.4 x 20.3 mm / 1.654" x 3.756" x 0.799"
Dimensions (milled cut-out)	39.2 x 93.0 mm / 1.433" x 3.661" (\pm 0.1 mm / 0.01")
Weight (including cable)	81 g
Ambient conditions during operation	+5 °C to +40 °C at max. 68% relative air humidity (non-condensing), up to an altitude of 2,000 m.
Ambient conditions during transport and storage	-25 °C to +40 °C at max. 68% relative air humidity (non-condensing). +40 °C to 60 °C at max. 32% relative air humidity (non-condensing). Temperatures of more than 40 °C for periods not exceeding 10h. Product must be acclimatised to acceptable operating conditions before assembly. Contact LOGICDATA for exact specifications.
Compatibility	All LOGICDATA Control Boxes, except integrated Control Units in the LOGICdrive and DYNAMIC MOTION families.
Degree of protection (IEC 60529)	IP 20
Standards and regulations	RoHS directive 2011/65/EU
Order Code	TOUCH-IL-MDF-KM-y-z

Reserved
 Customer Code, up to 3 characters, standard is "LD"