



LCA-SQ

The lightweight column.

DESCRIPTION

Keep moving. The Lifting Column Aluminum (LCA) provides smooth motion to any adjustable desk design in Caravan or Tatami application. Featuring DMG90 technology, the LCA is precision-manufactured to ensure quietness and stability-as well as seamless installation into your application. Special requirements? Customize interfaces and performance to make every Lifting Column your own.

FEATURES

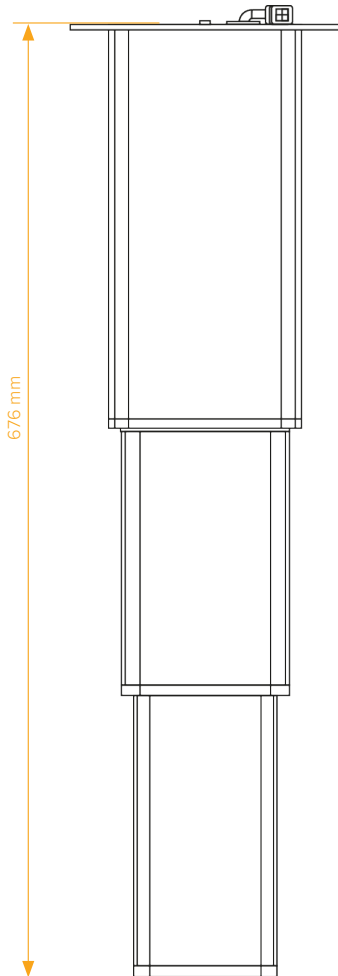
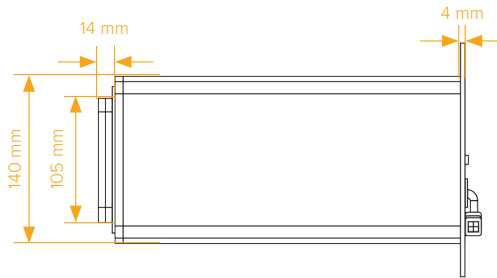
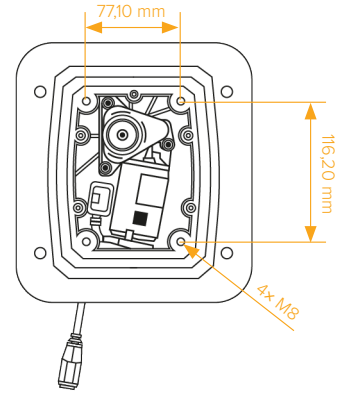
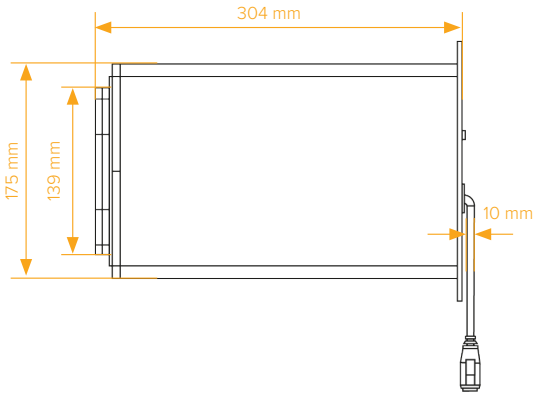
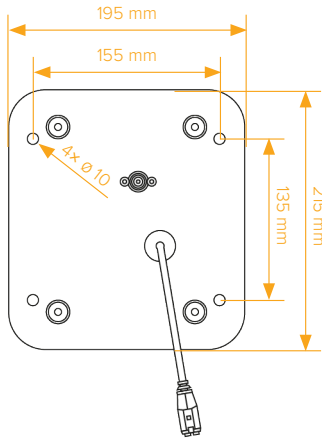
- Outstanding Design
- Hidden Gliders
- Anti-Collision Detection
- Driving Speed up to 38 mm/s
- 500 N Lifting Capacity

Contact Headquarters

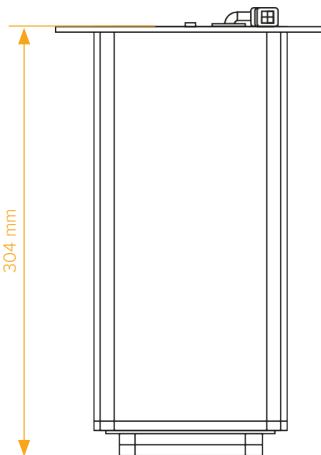
LOGICDATA Electronic & Software Entwicklungs GmbH
Wirtschaftspark 18, 8530 Deutschlandsberg, office@logicdata.net

North America

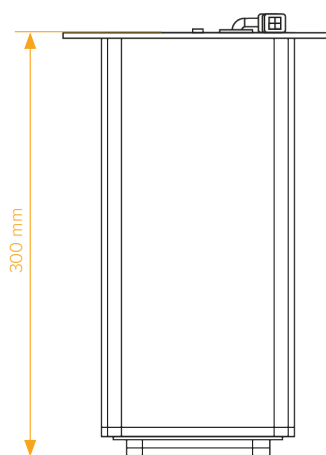
LOGICDATA North America Inc., 13617 Woodlawn Hills Dr.,
Cedar Springs, MI 49319, USA, support.na@logicdata.net



Full Stroke



Built-in Length



Reset Length

TECHNICAL DATA

Built in Length	304 mm (± 3 mm)
Travel Range	304 mm (± 3 mm) - 676 mm (± 3 mm)
Stroke	Max. 372 mm
Adjustment Speed Regular	Up to 38 mm/s
Max .Push Force	Up to 500 N
Input Rating	28,5 V DC / 3,1 A
Duty Cycle	2 min. ON / 18 min. OFF up to 600 N 1 min. ON / 18 min. OFF 600 - 800 N (speed > 38 mm/sec)
Weight	6,7 kg / 14,7 lbs
Ambient Conditions During Operation	+5 °C to +40 °C at max. 68% relative air humidity (non-condensing)
Ambient Conditions During Transport and Storage	-25 °C to +40 °C at max. 68% relative air humidity (non-condensing). +40 °C to +60 °C at max. 32% relative air humidity (non-condensing). Temperatures of more than 40 °C for periods not exceeding 10h. Product must be acclimatized to acceptable operating conditions before assembly. Contact LOGICDATA for exact specifications.
Comptability	Part of the DYNAMIC MOTION System
Degree of Protection	IP 20
Standards and Regulations	Complies with Machinery Directive 2006/42/EC Complies with RoHS 2011/65/EU
Order Code	LCA-SQ1-300-370-ILZ-zz LCA-AA0-000-000-FFF-00  <ul style="list-style-type: none">Special SpecificationCustomer Code, up to 3 characters, standard is "LDS"Stroke LengthBuilt-in LengthShape (SQ...square, RE...rectangle, RD...round)