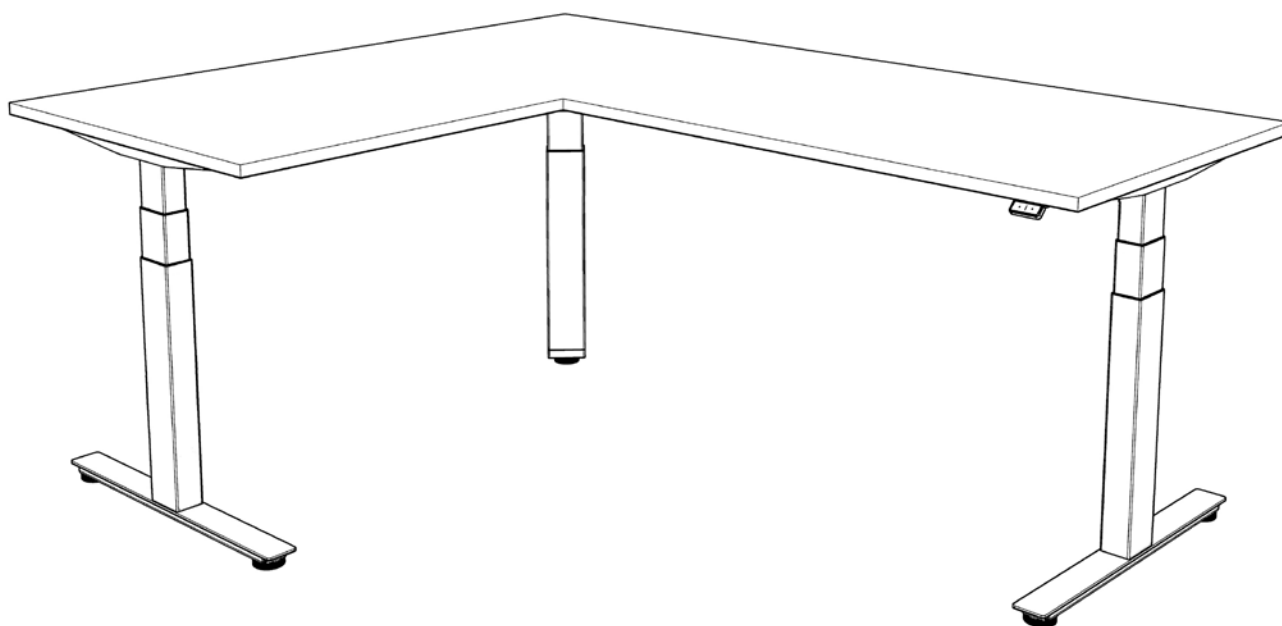
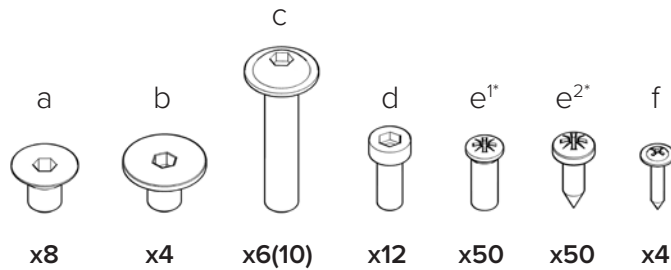
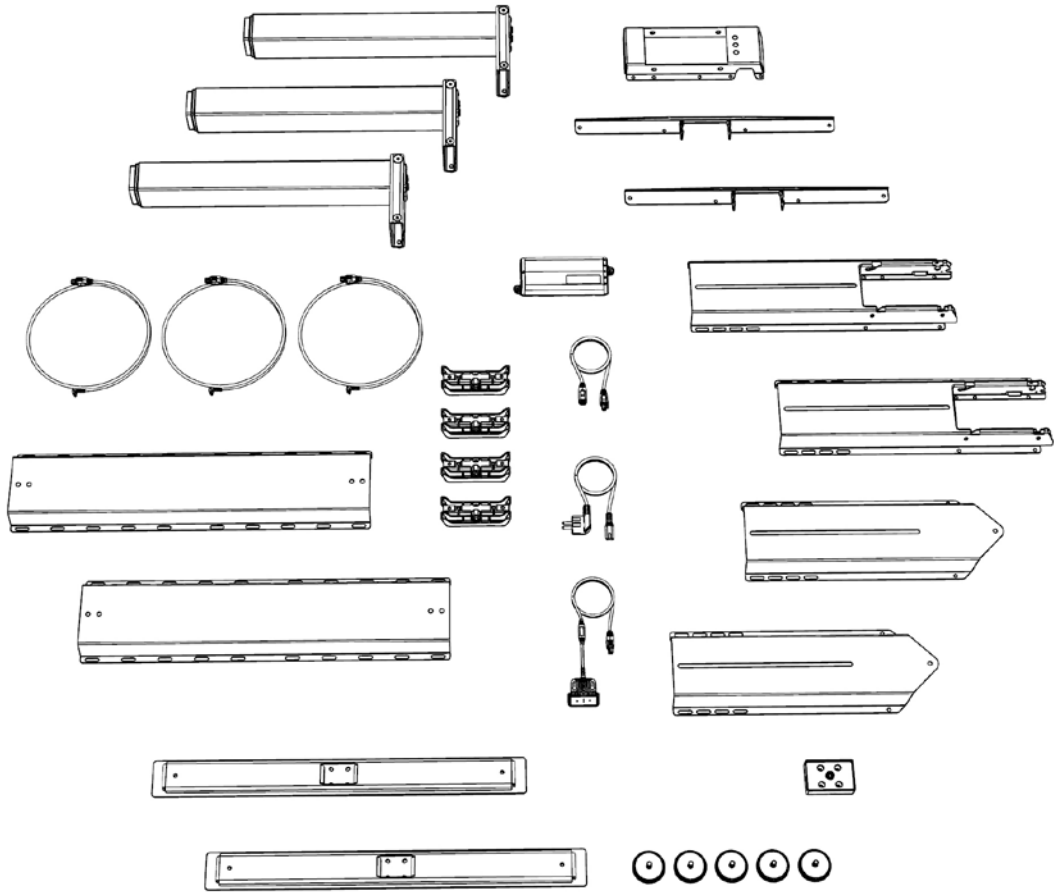


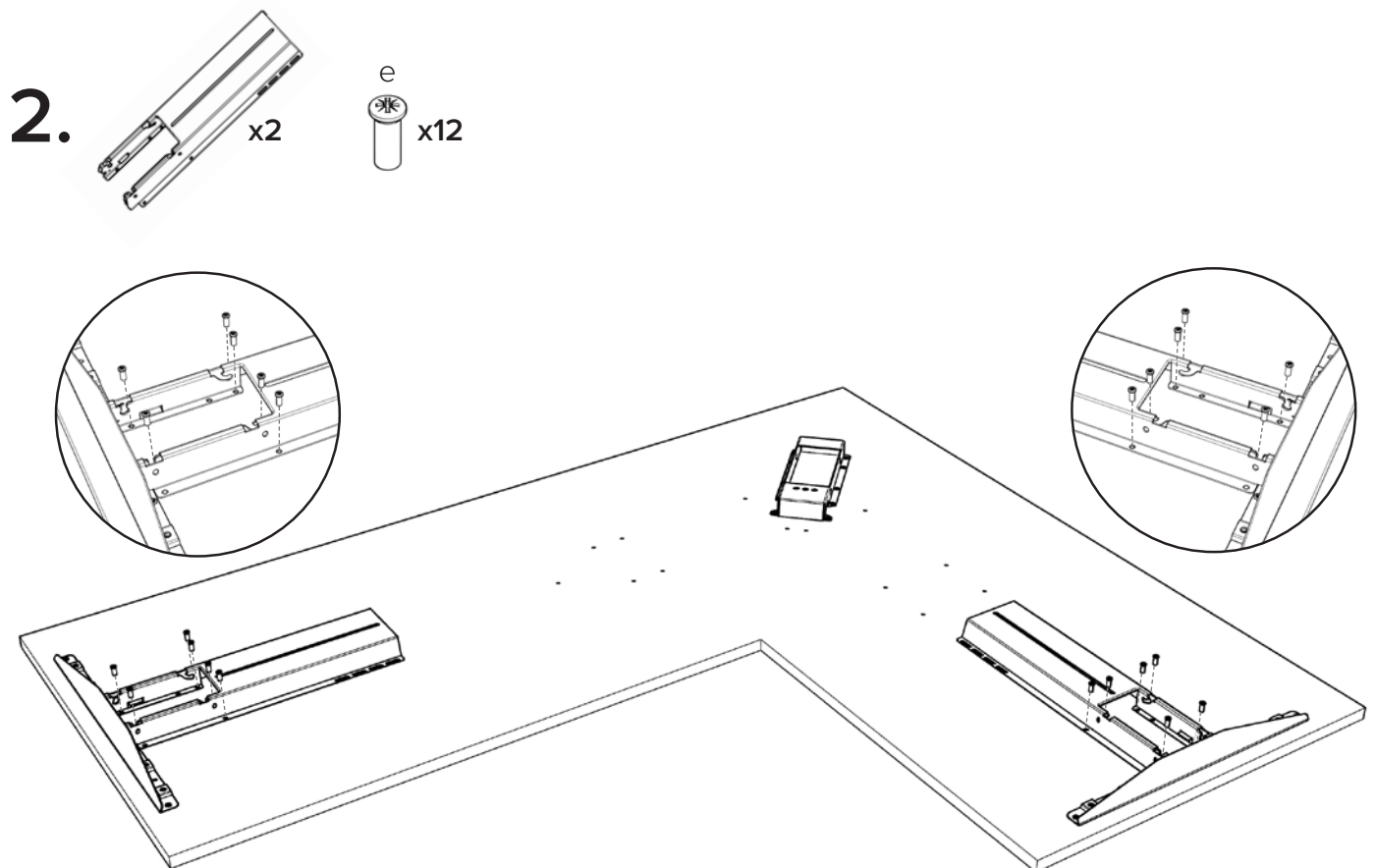
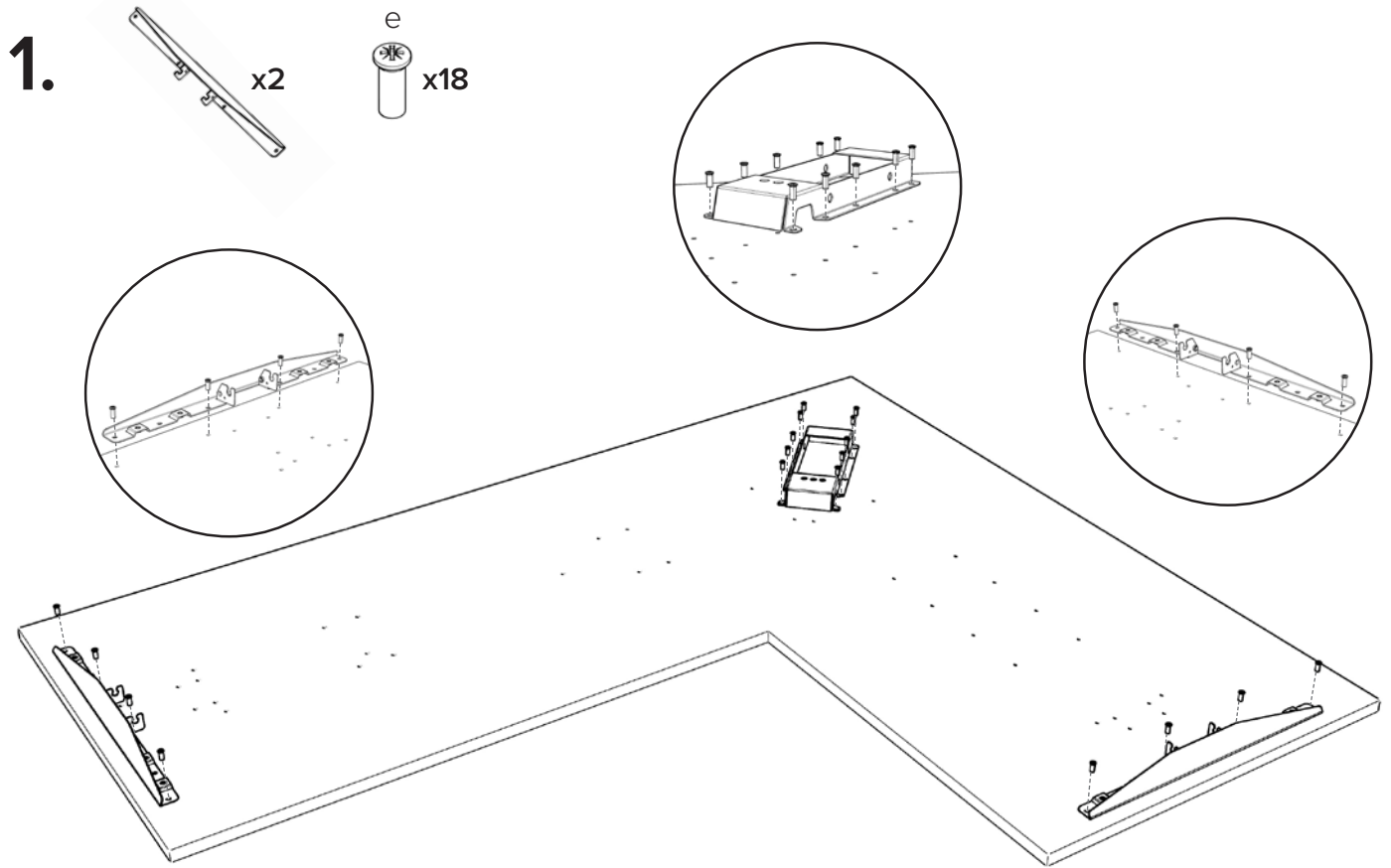
OPTIMUS 3-LEG DM SYSTEM

ASSEMBLY INSTRUCTIONS

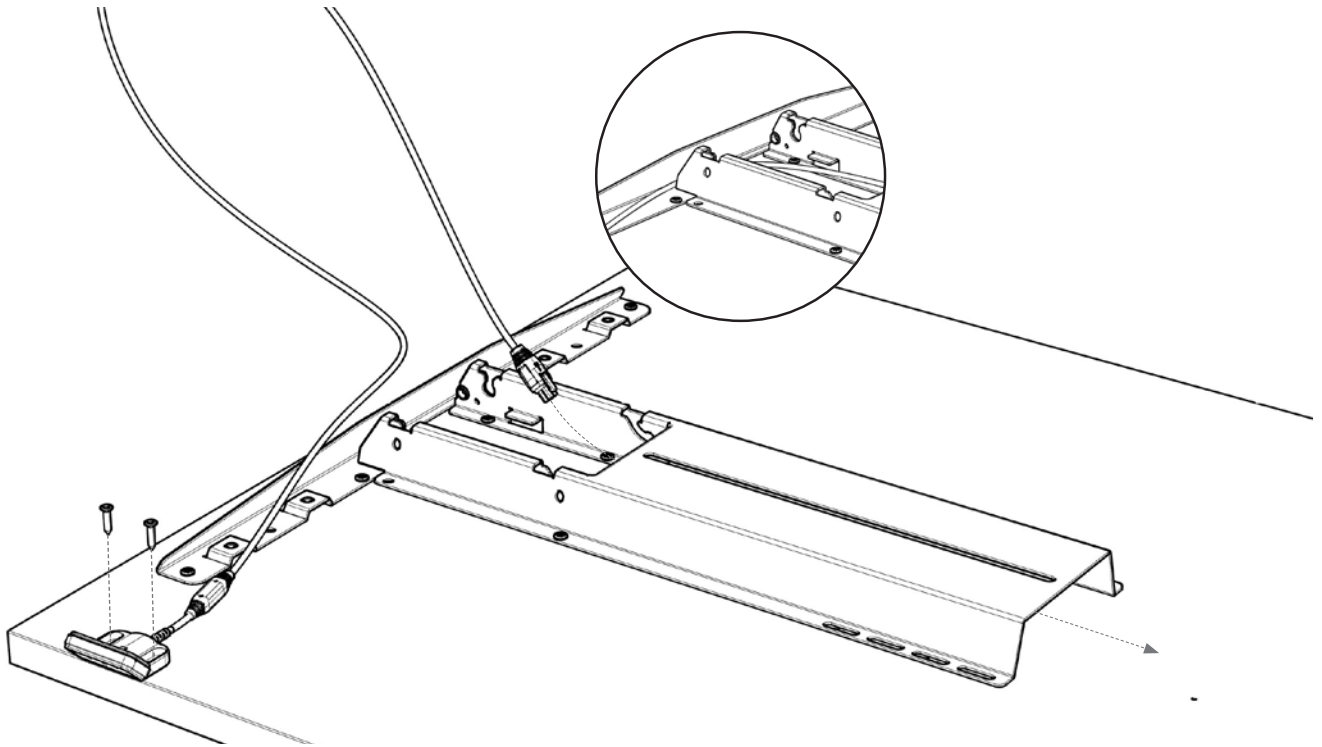




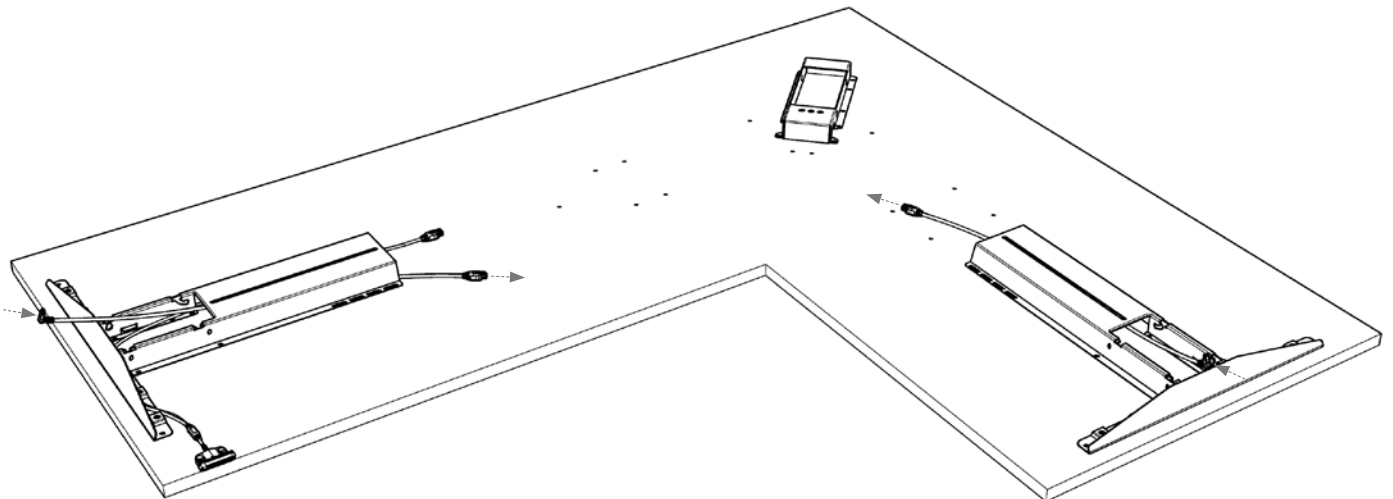
*If there are **no pre-drilled holes** in the tabletop, use screw **e²** wherever screw **e** is indicated.

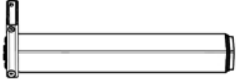


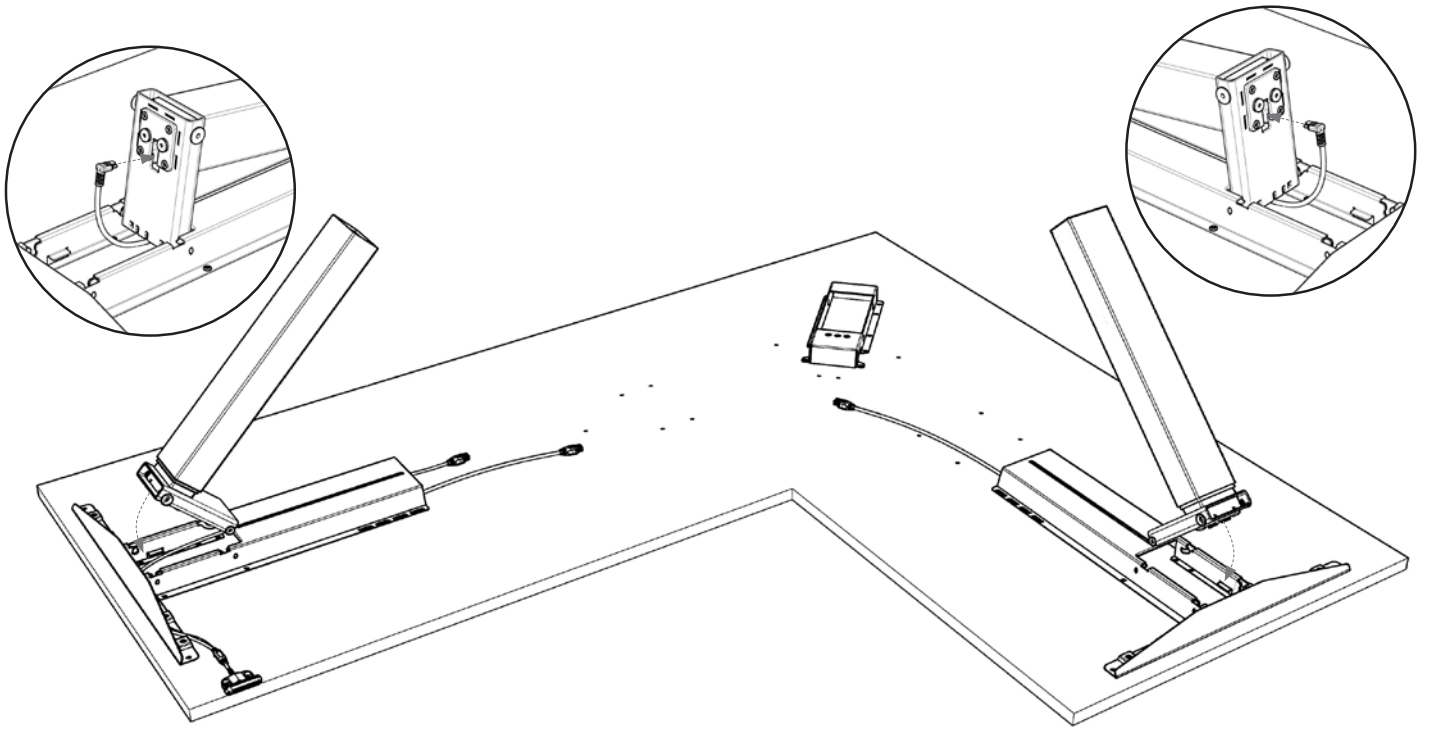
3.  x1  x2

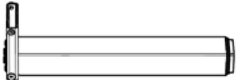



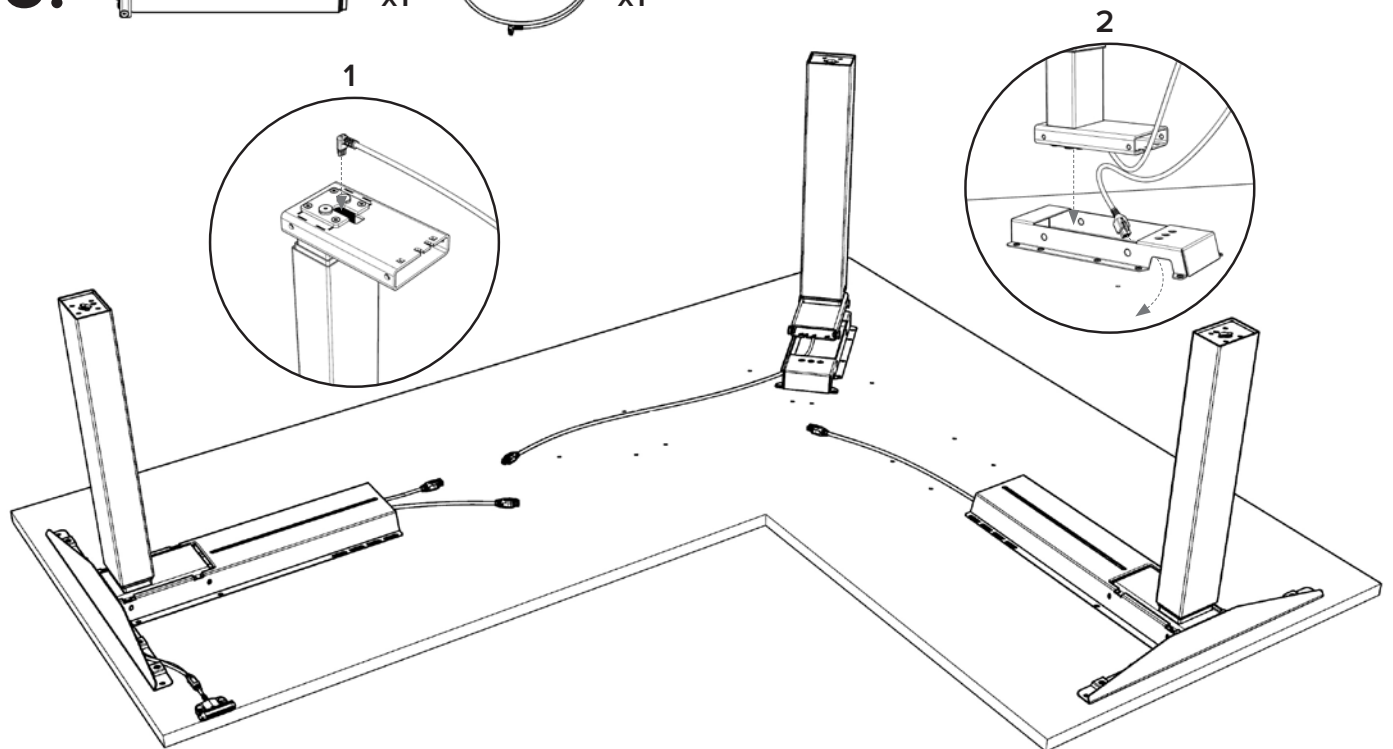
4.  x2



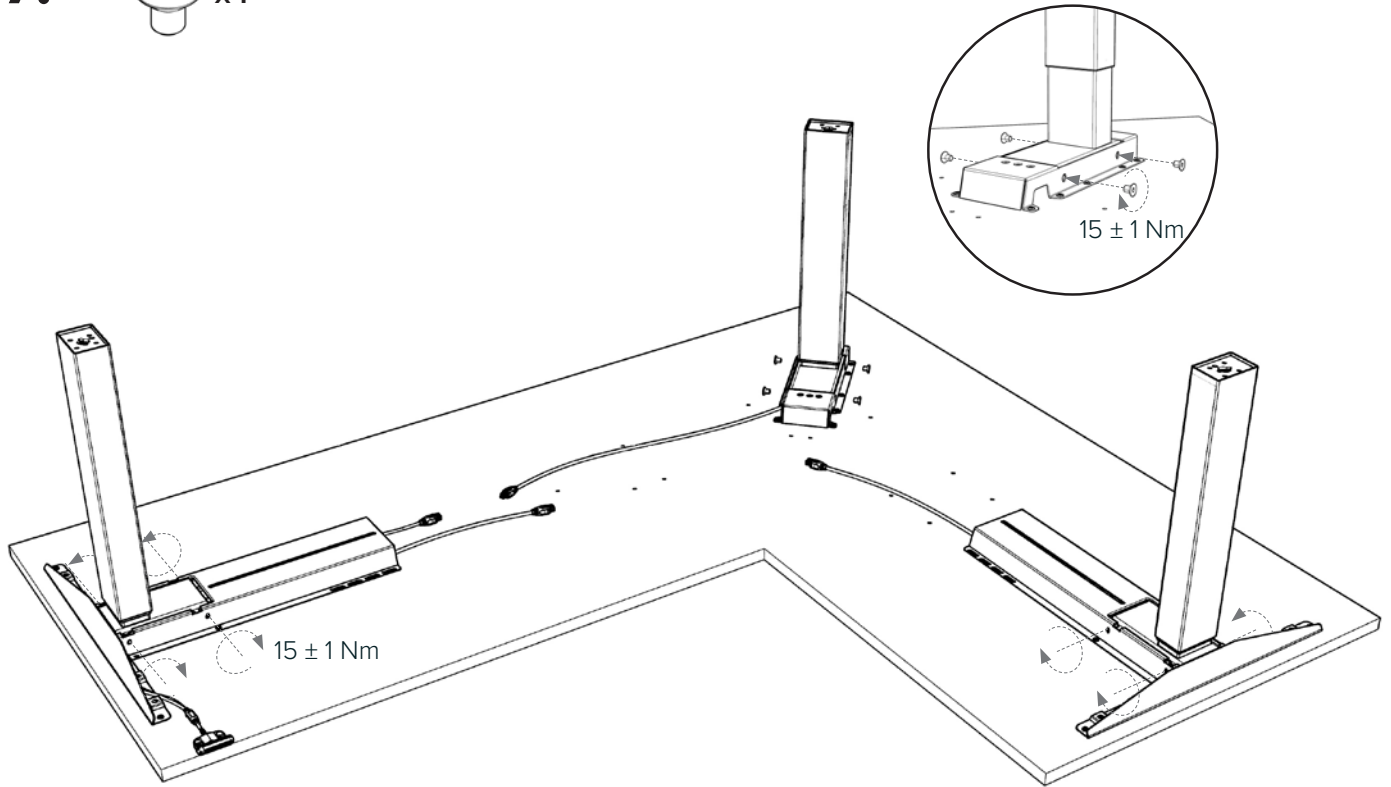
5.  x2



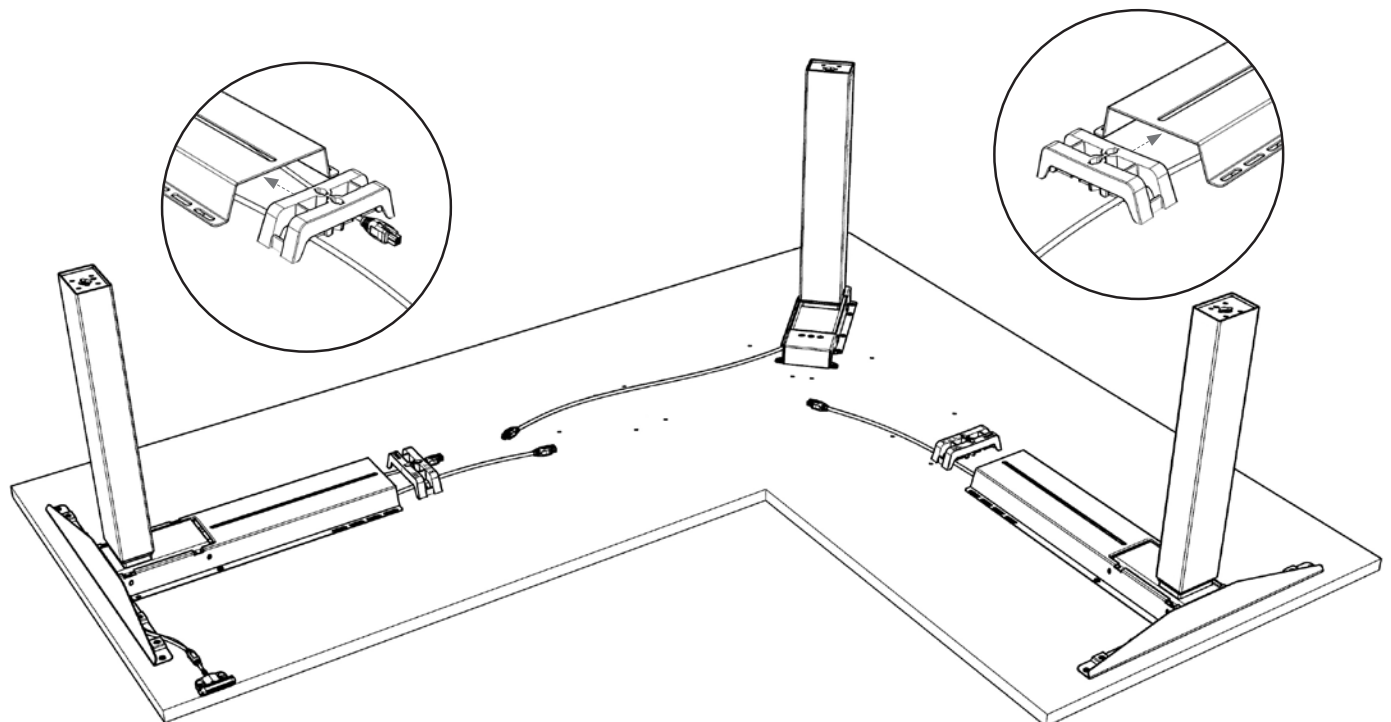
6.  x1  x1

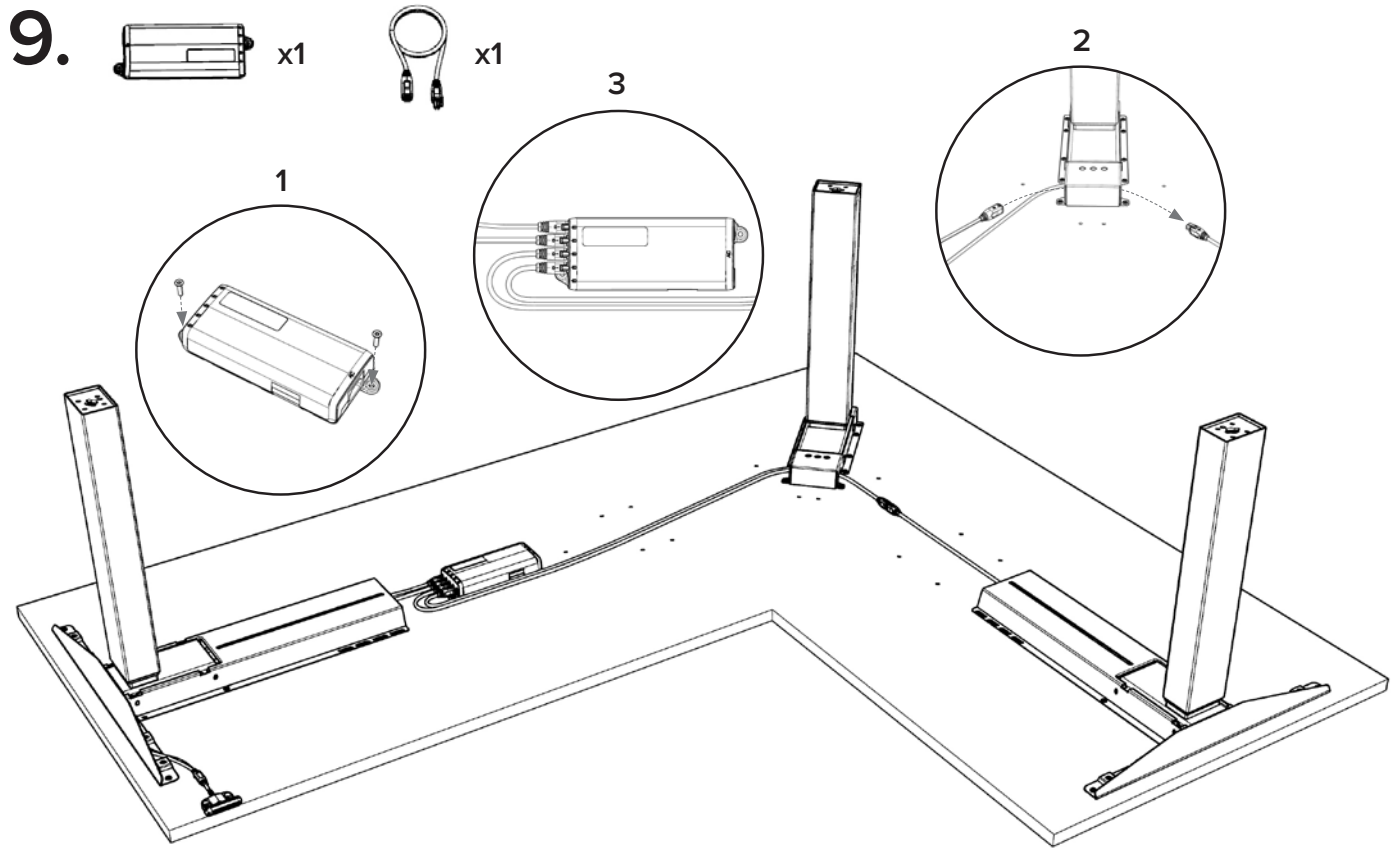


7.  x4

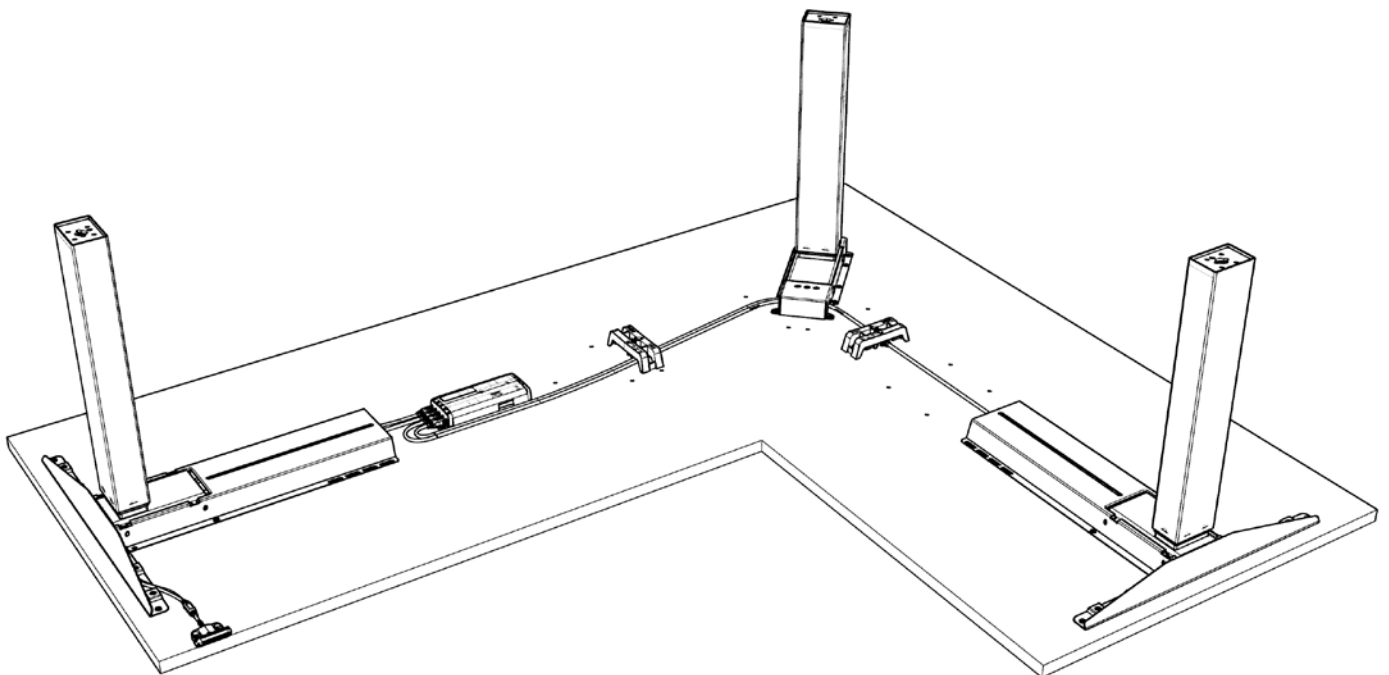


8.  x2





10.  x2



11.



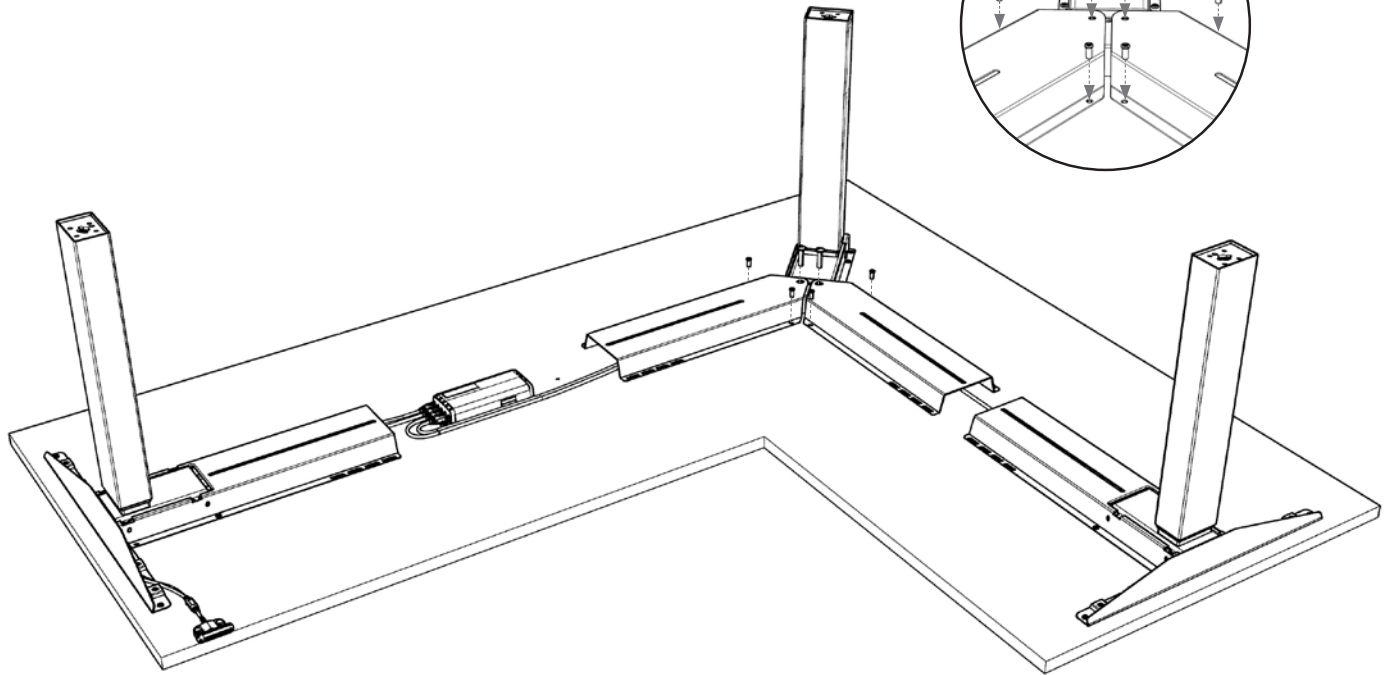
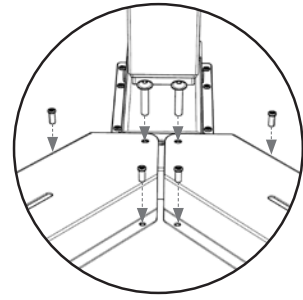
x2



x2



x4



12.



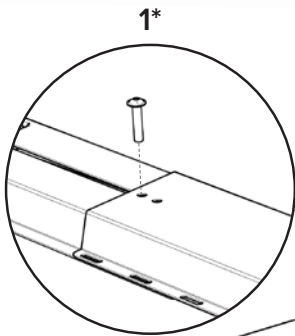
x1



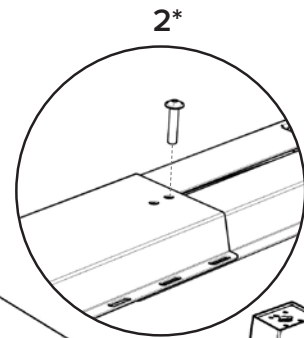
x2



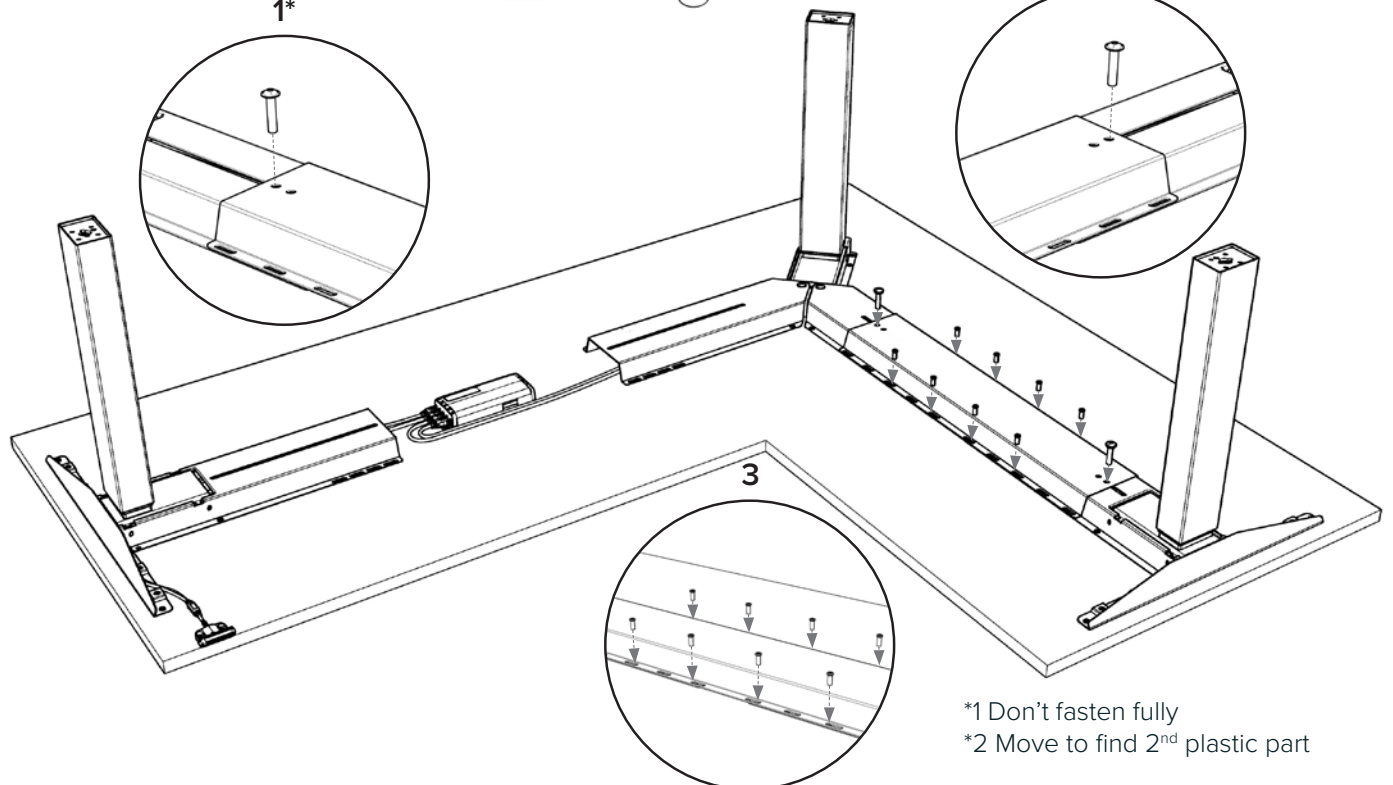
x8



1*



2*



3

*1 Don't fasten fully
*2 Move to find 2nd plastic part

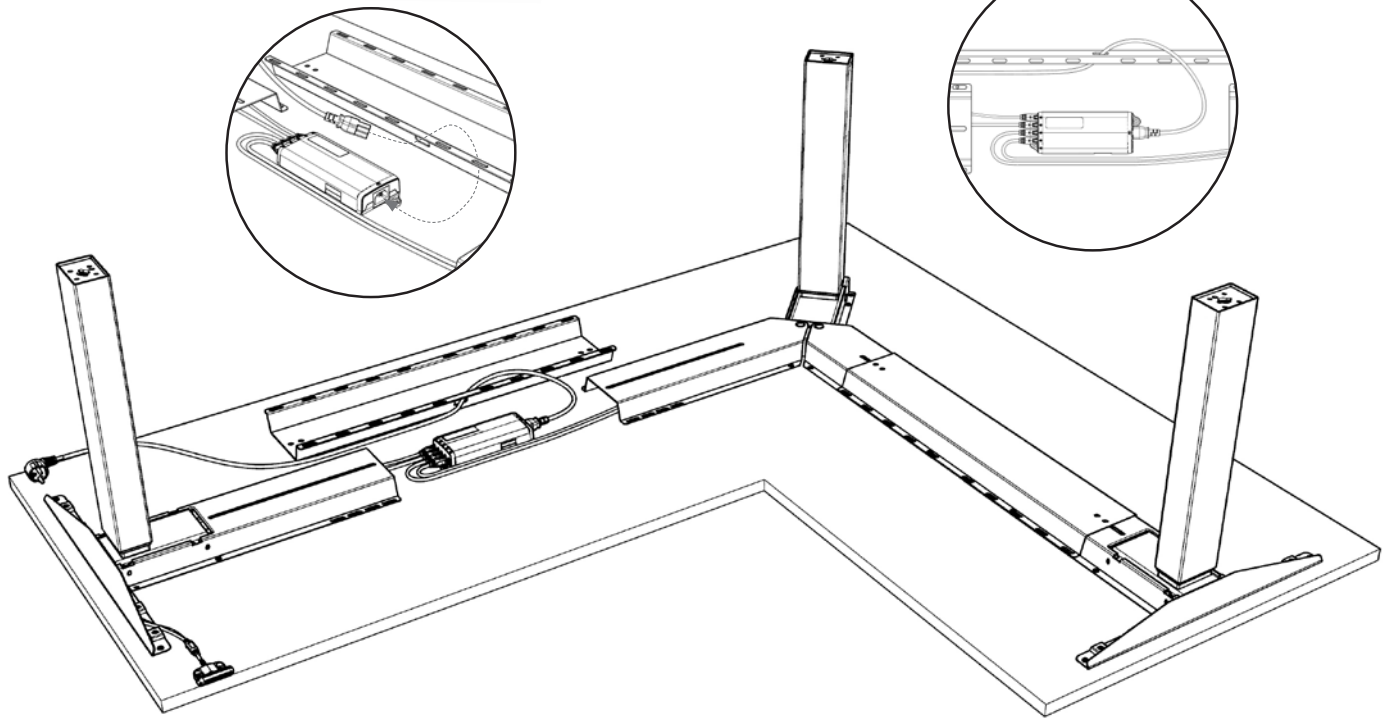
13.



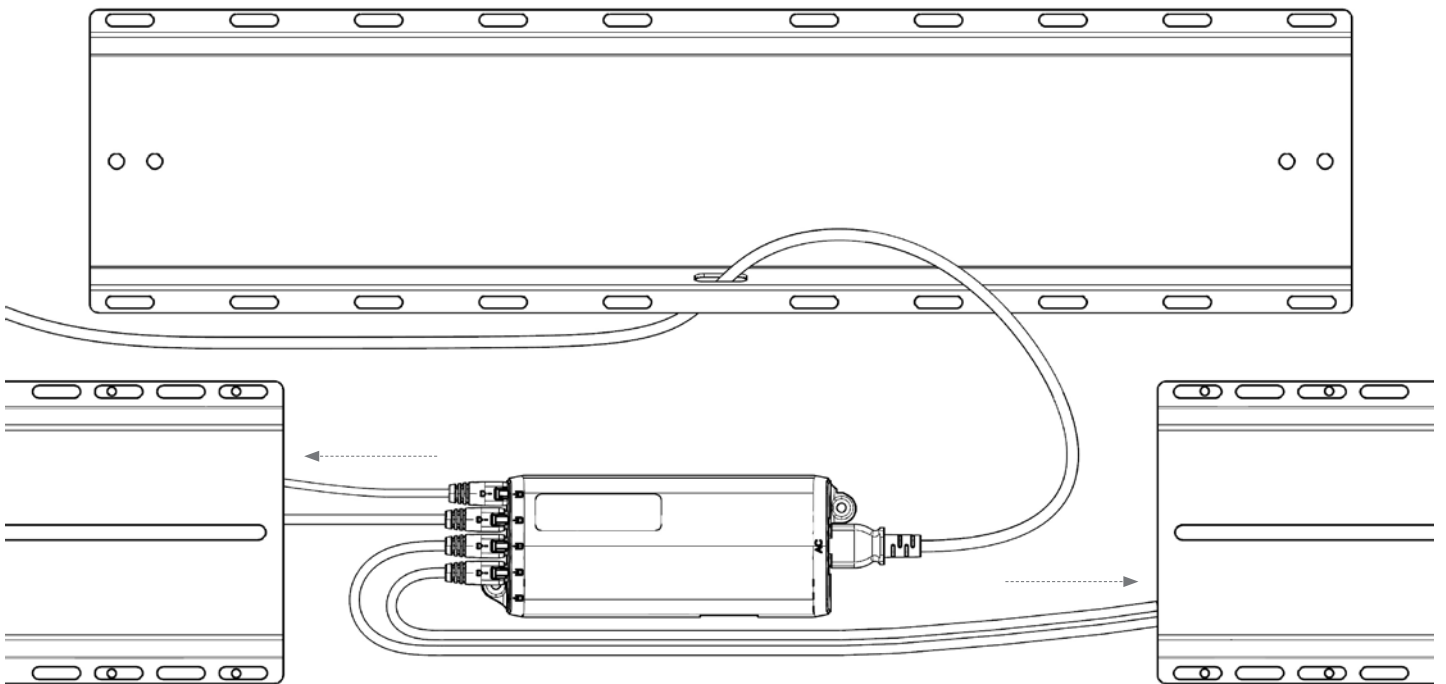
x1



x1

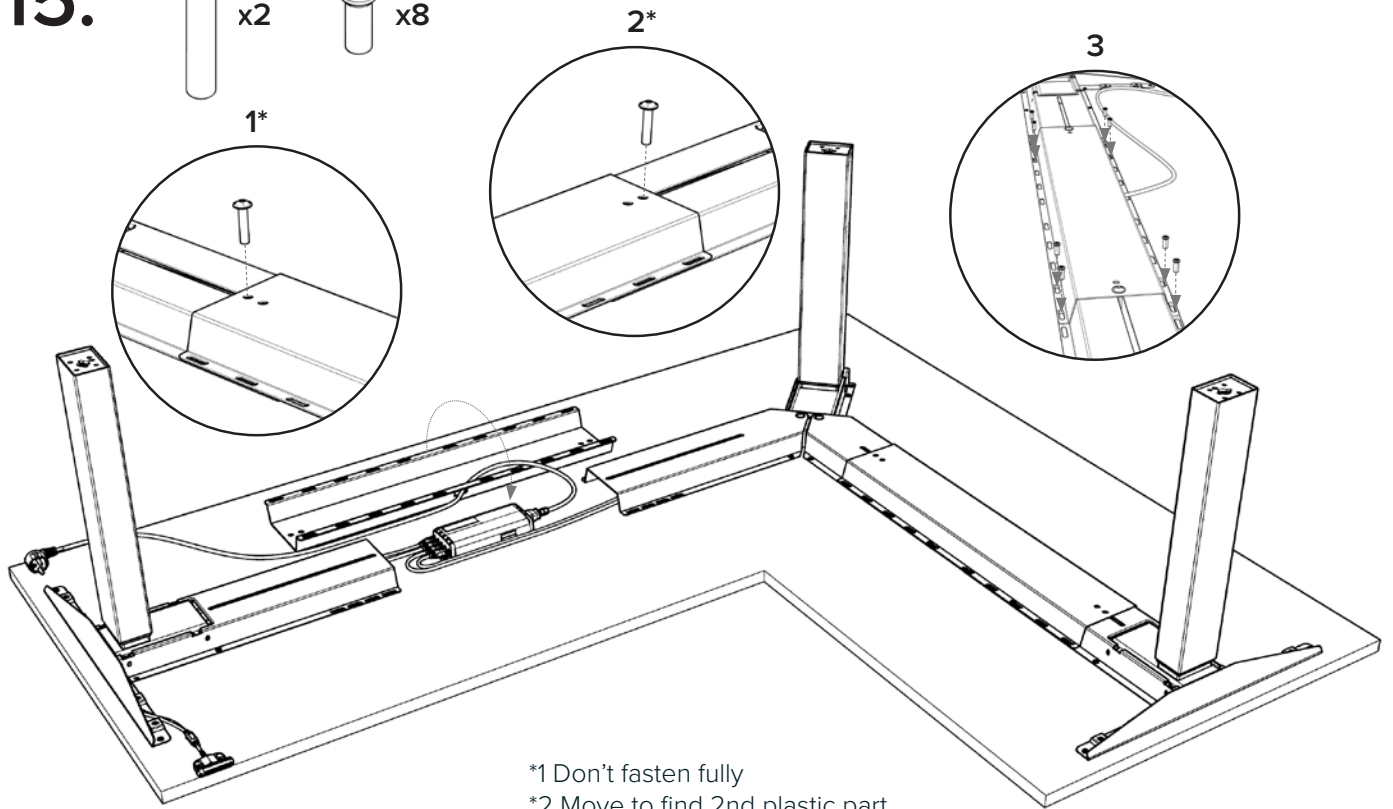
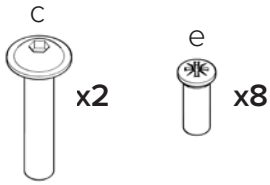


14.



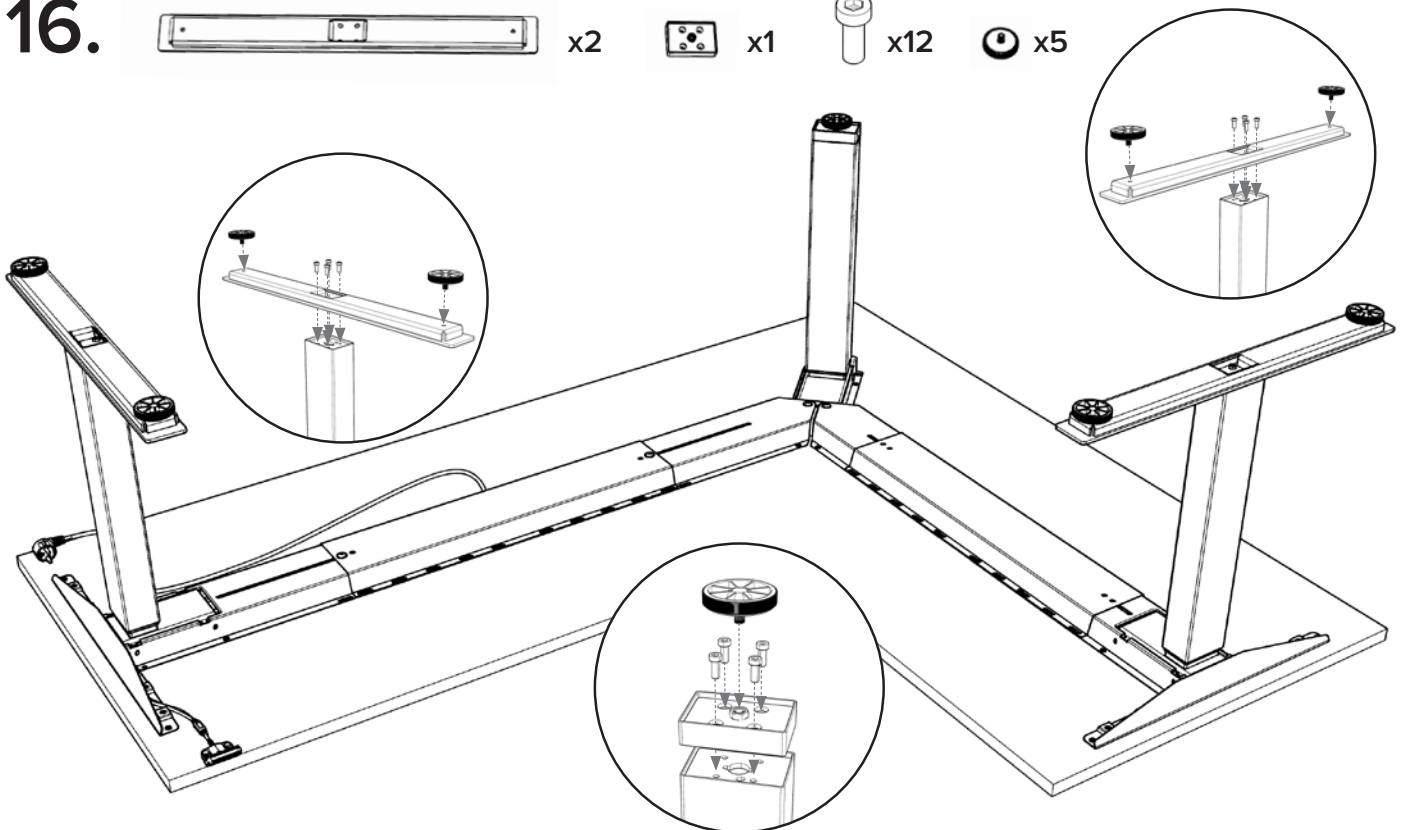
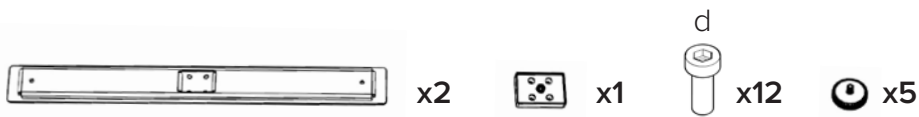
Push excess cables into the traverses

15.

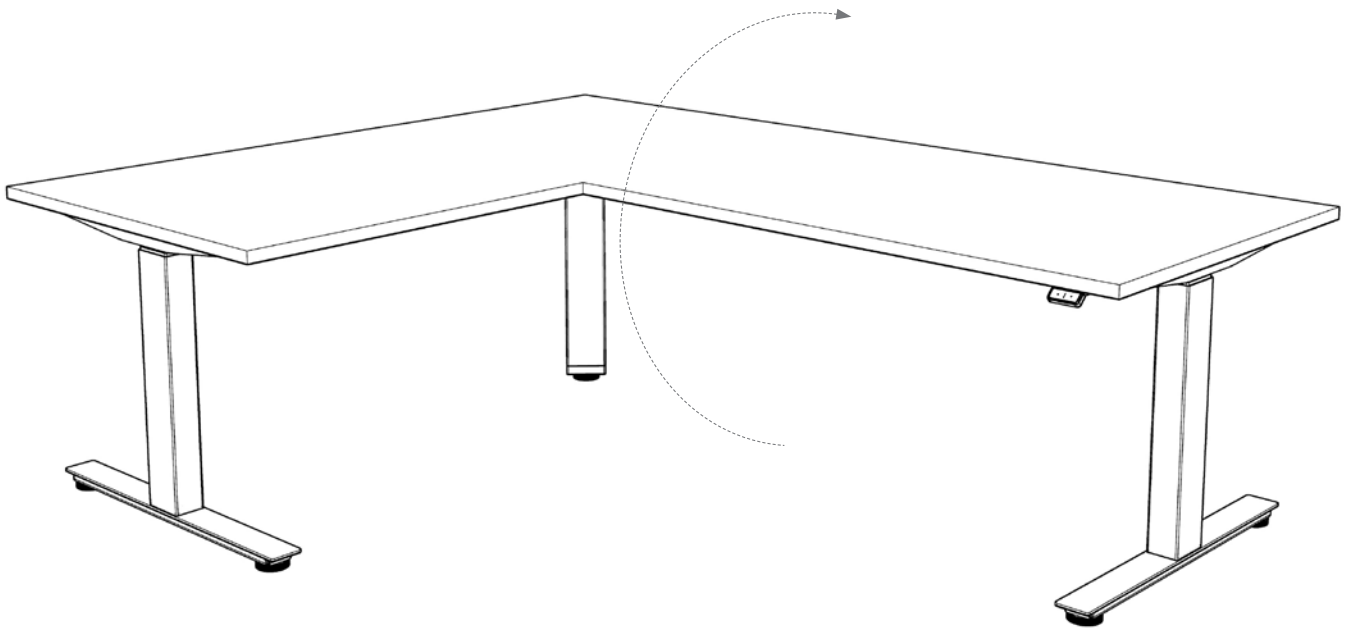


*1 Don't fasten fully
*2 Move to find 2nd plastic part

16.



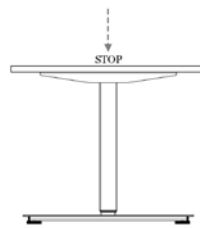
17.



16. Perform END POSITION RESET



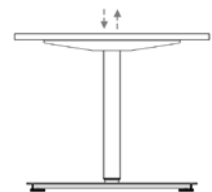
1. Press and hold DOWN key until table stops at lower position limit



2. Release DOWN key



3. Press and hold DOWN key Table moves down slightly, then up again



4. Release DOWN key