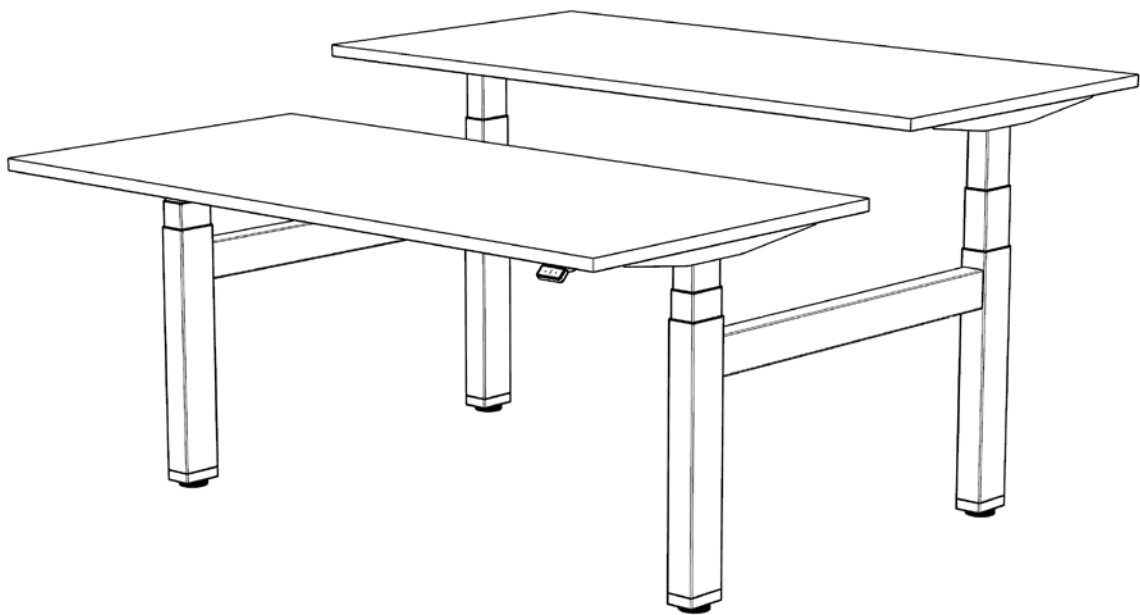
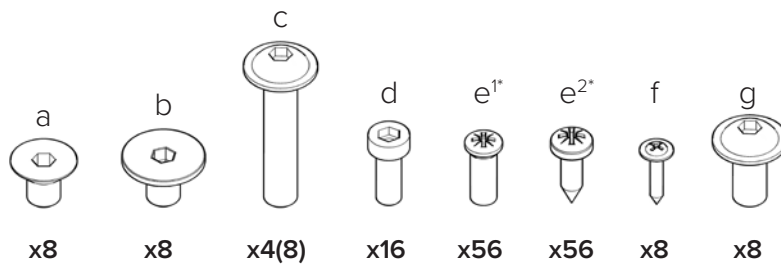
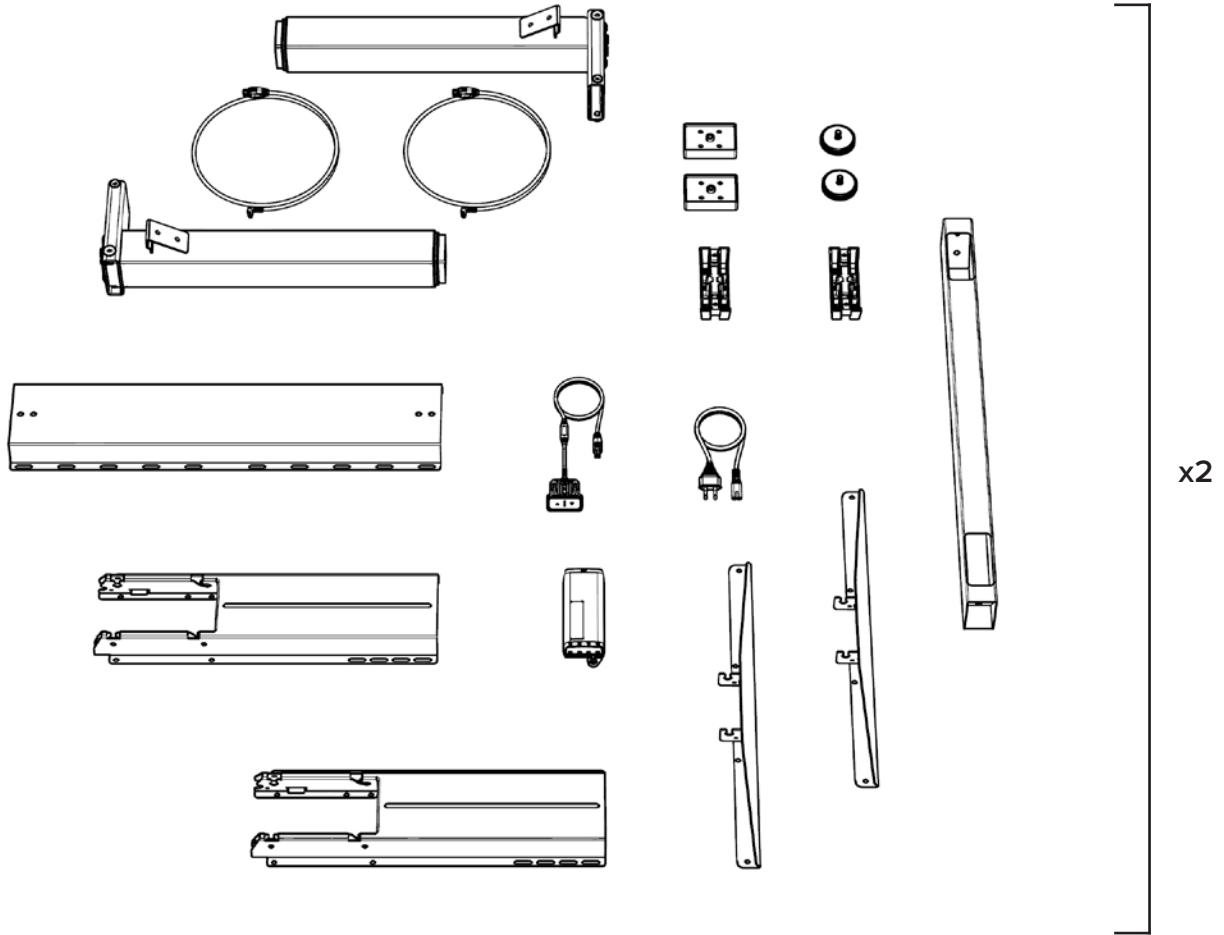


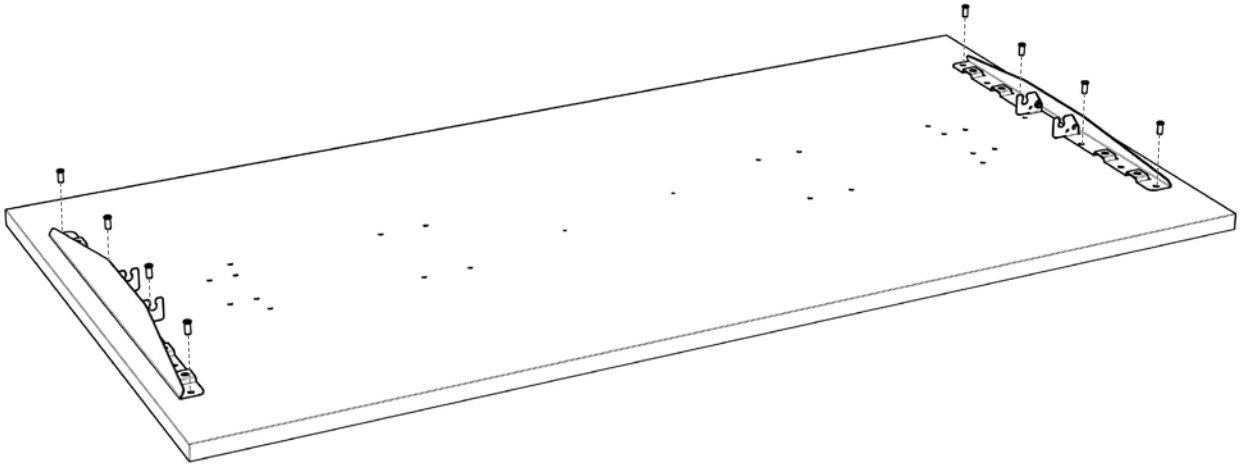
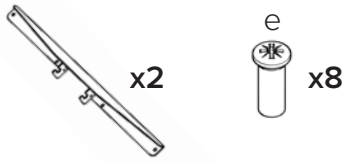
OPTIMUS **BENCH**
DYNAMIC MOTION System
ASSEMBLY INSTRUCTIONS





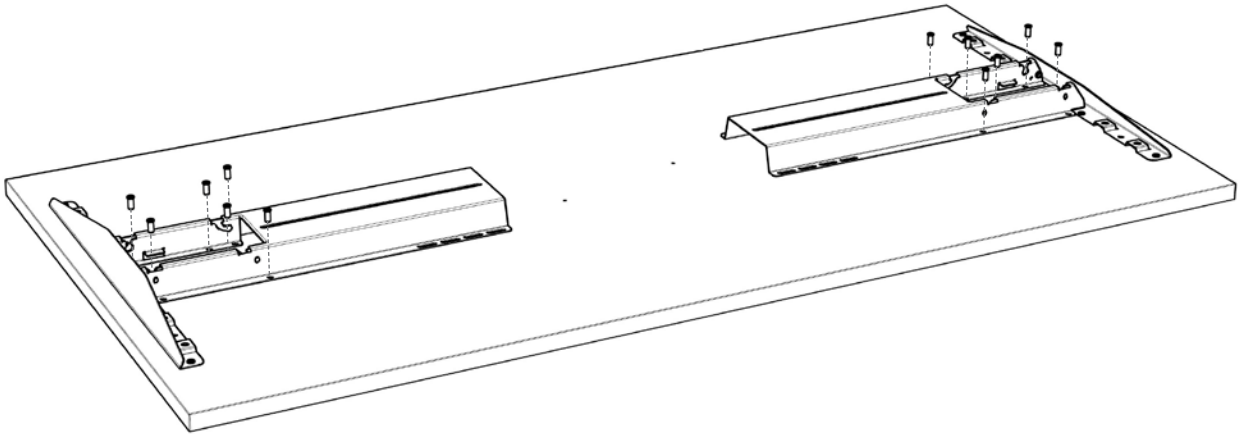
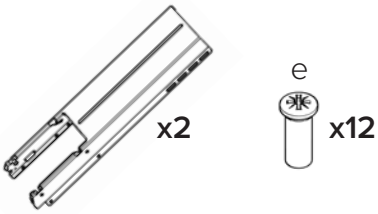
*If there are **no pre-drilled holes** in the tabletop,
use screw **e²** wherever screw **e** is indicated.

1.

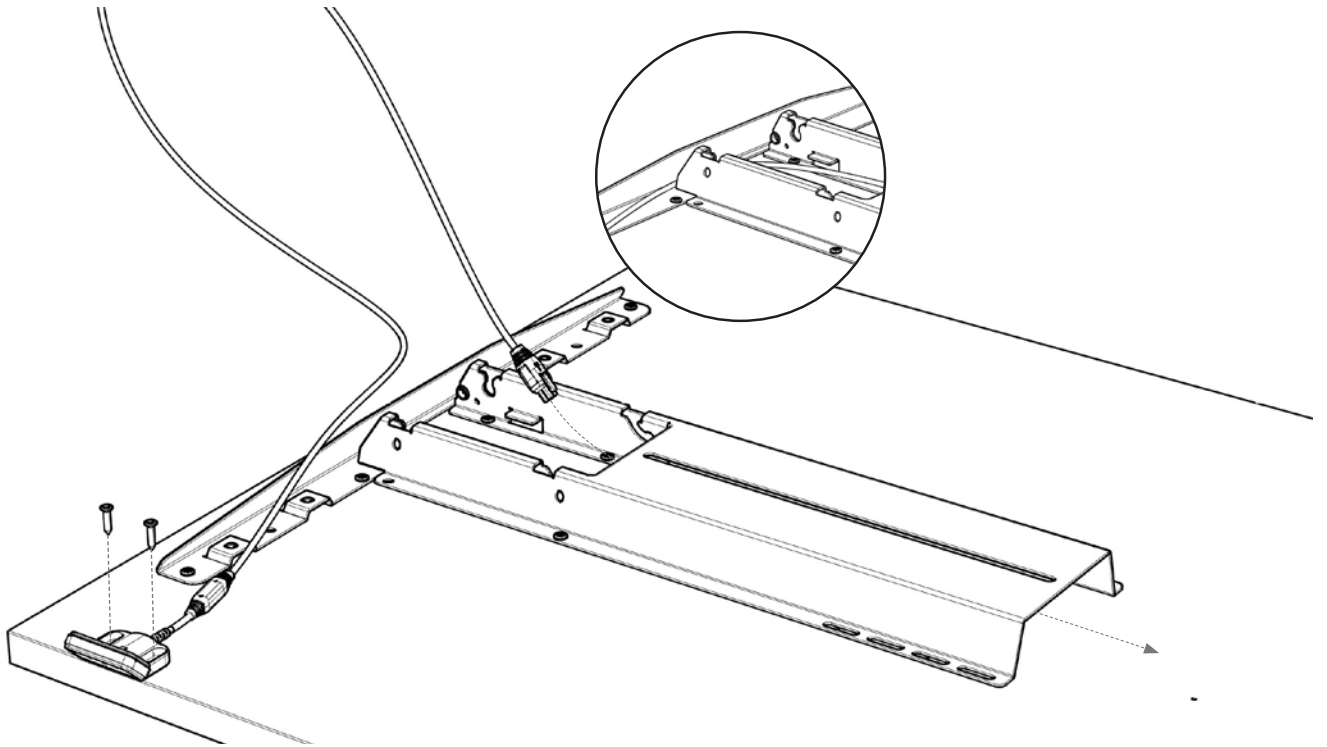


*Perform steps 1-13 for both tables

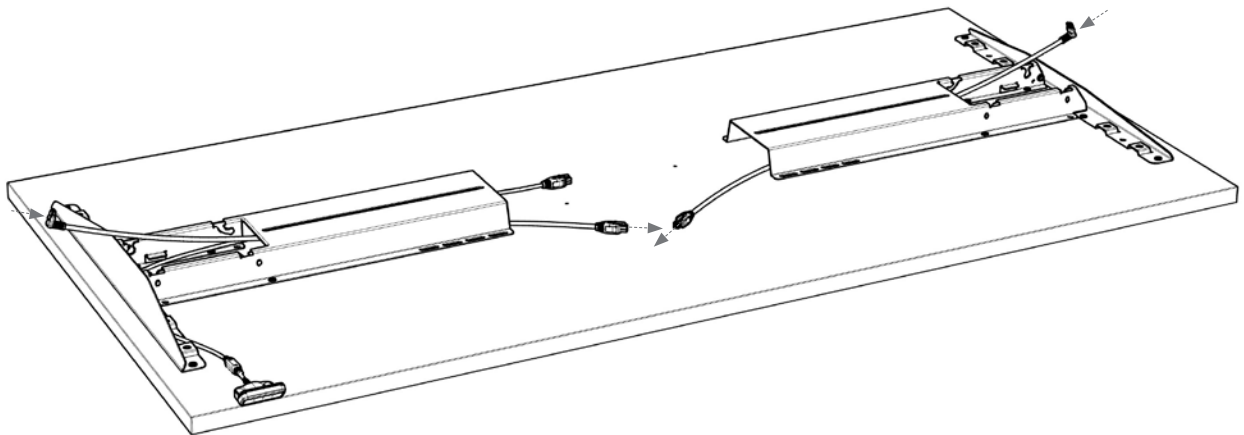
2.

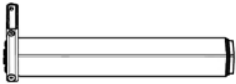


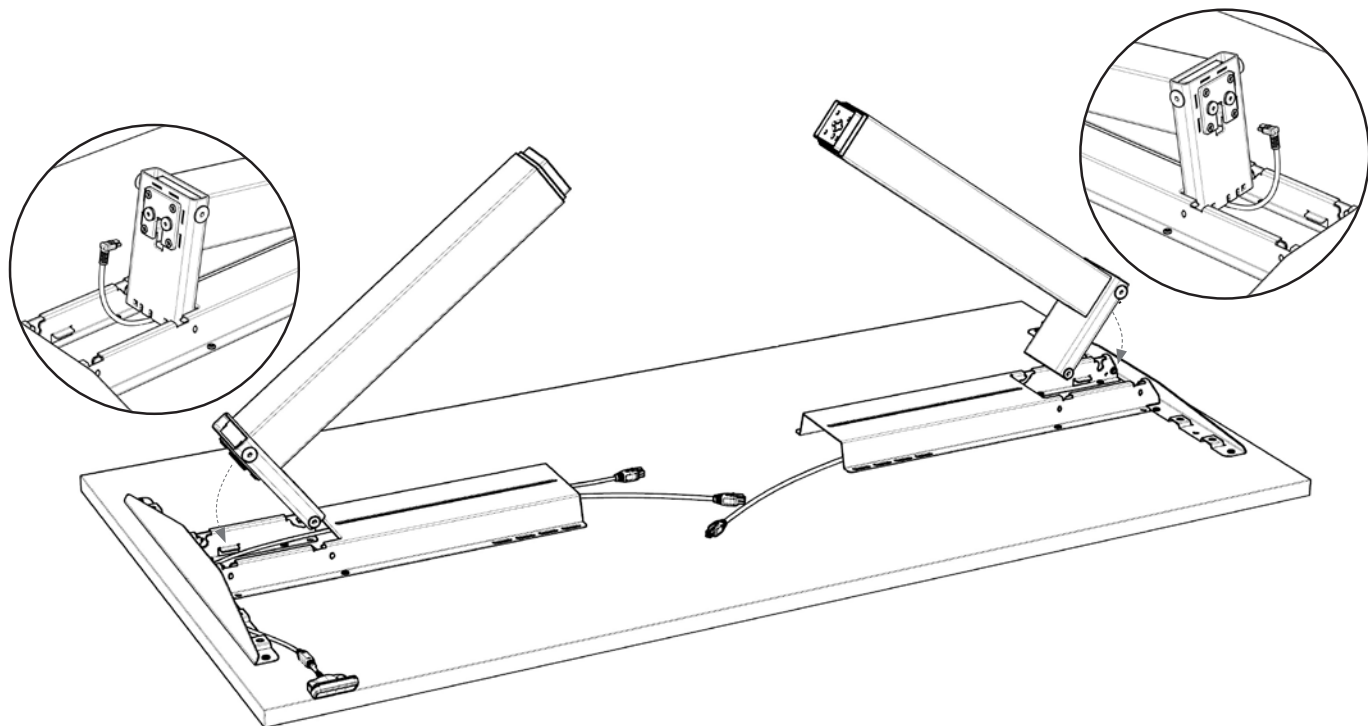
3.



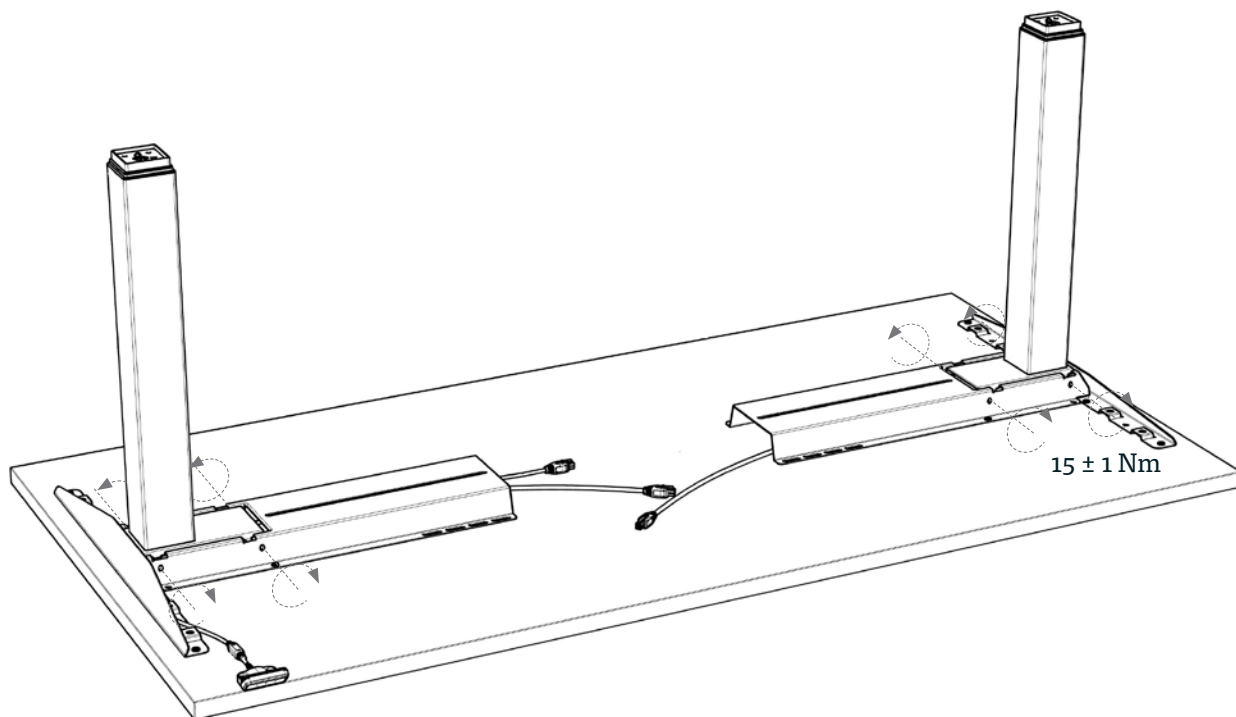
4.

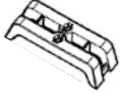


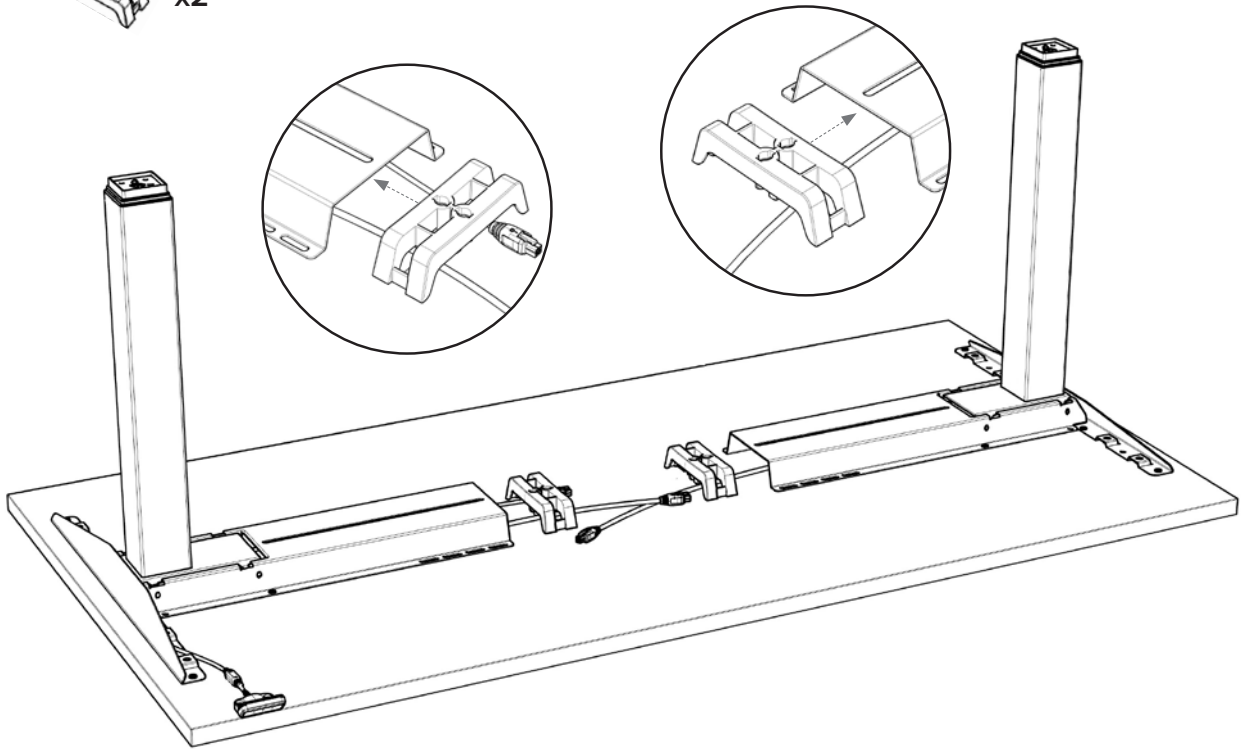
5.  x2




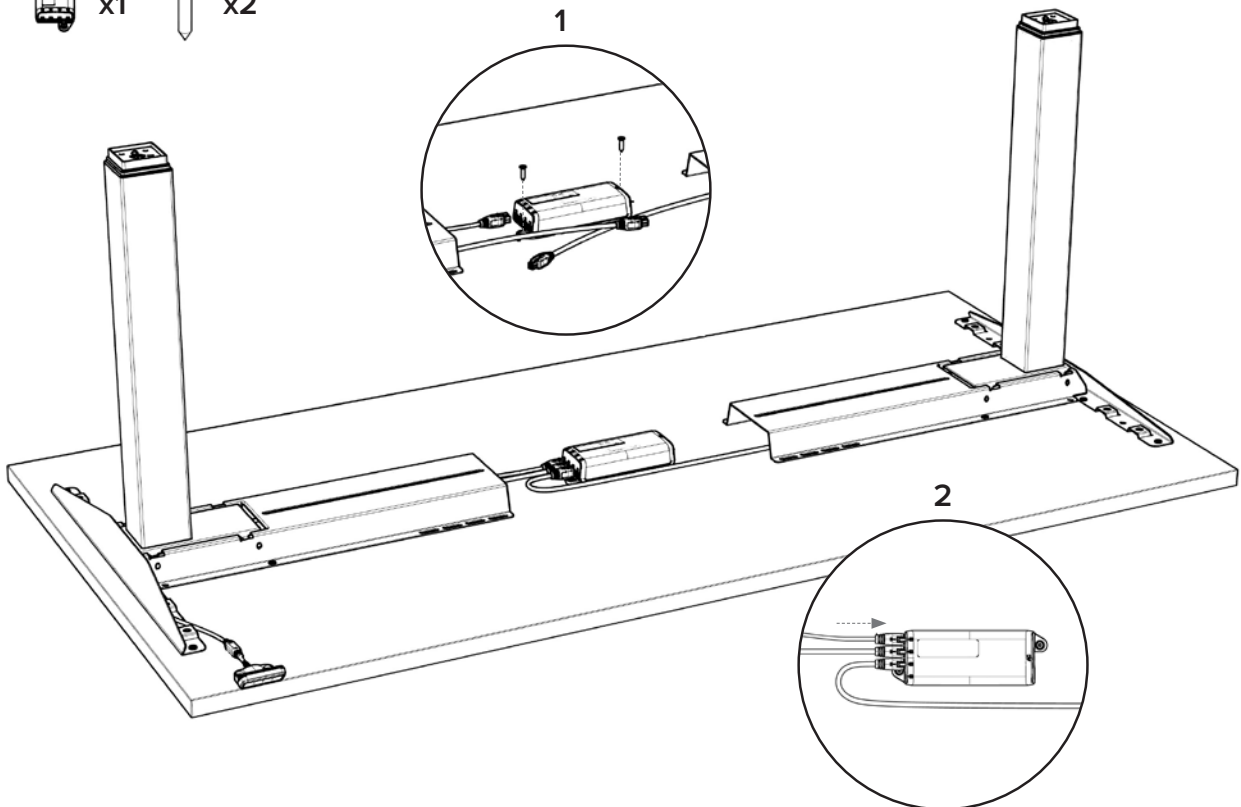
6.



7.  x2

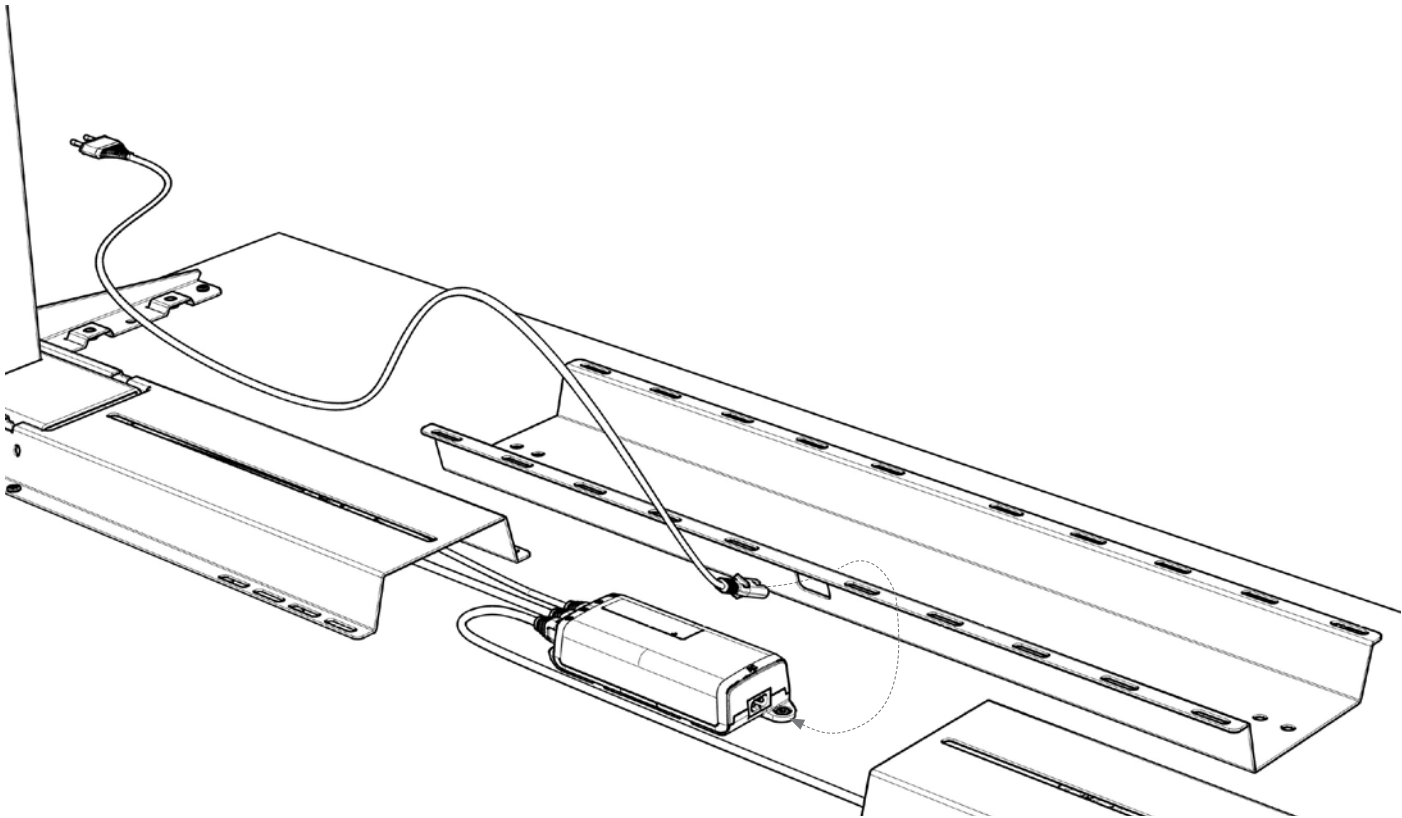


8.  x1  x2

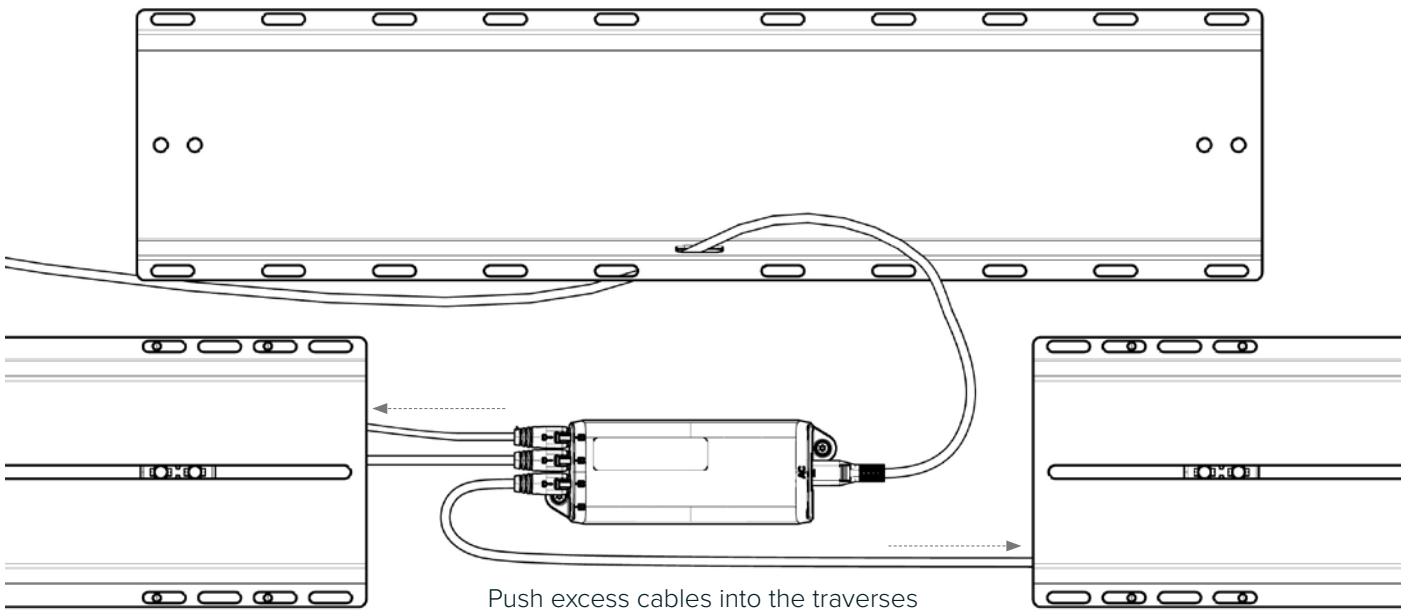


NOTE: For table top size 1400 mm do **step 9** before **step 8**.

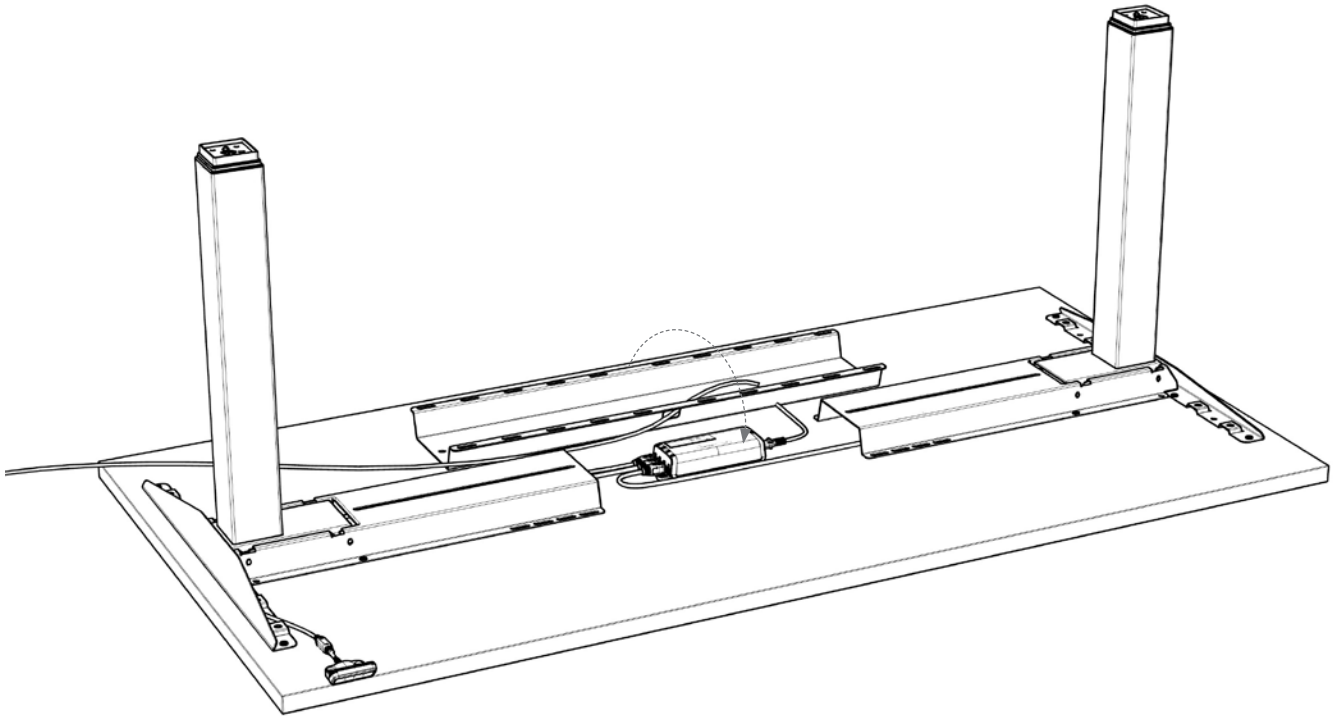
9.  x1  x1



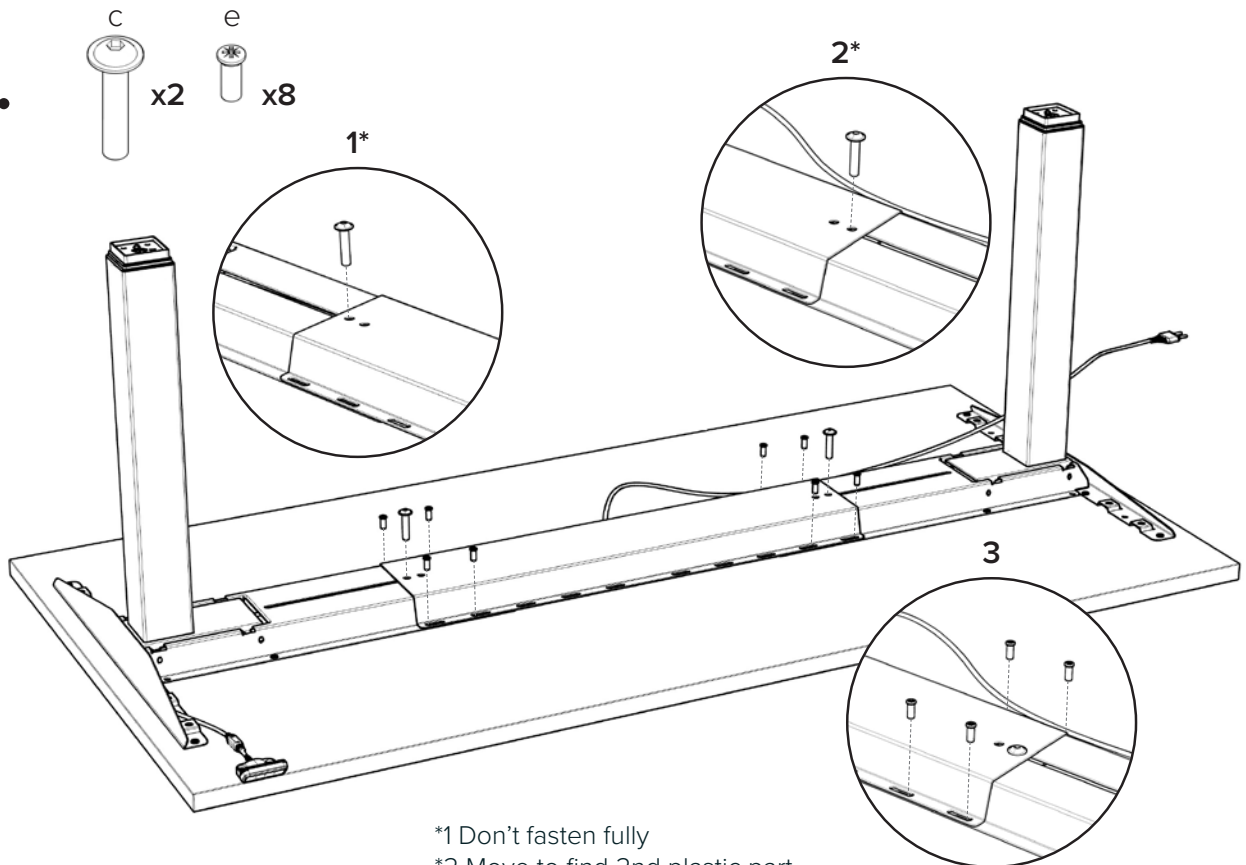
10.






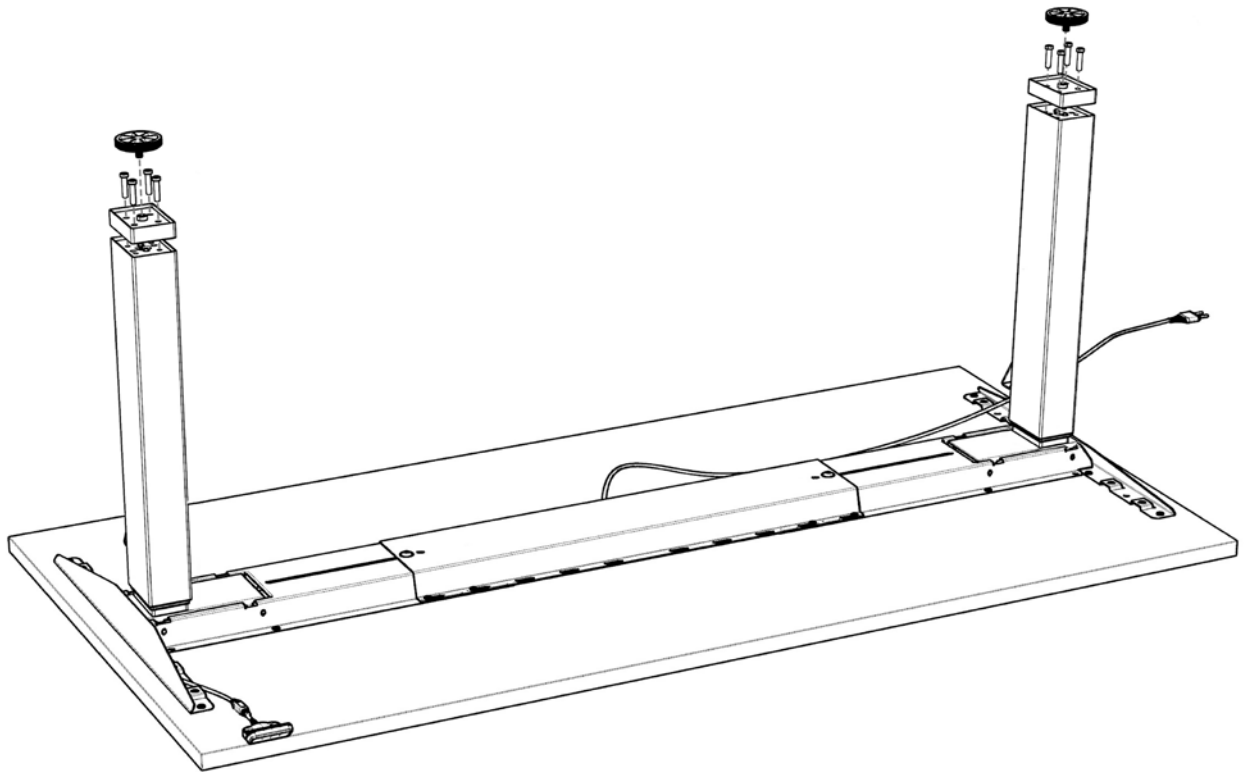
11.



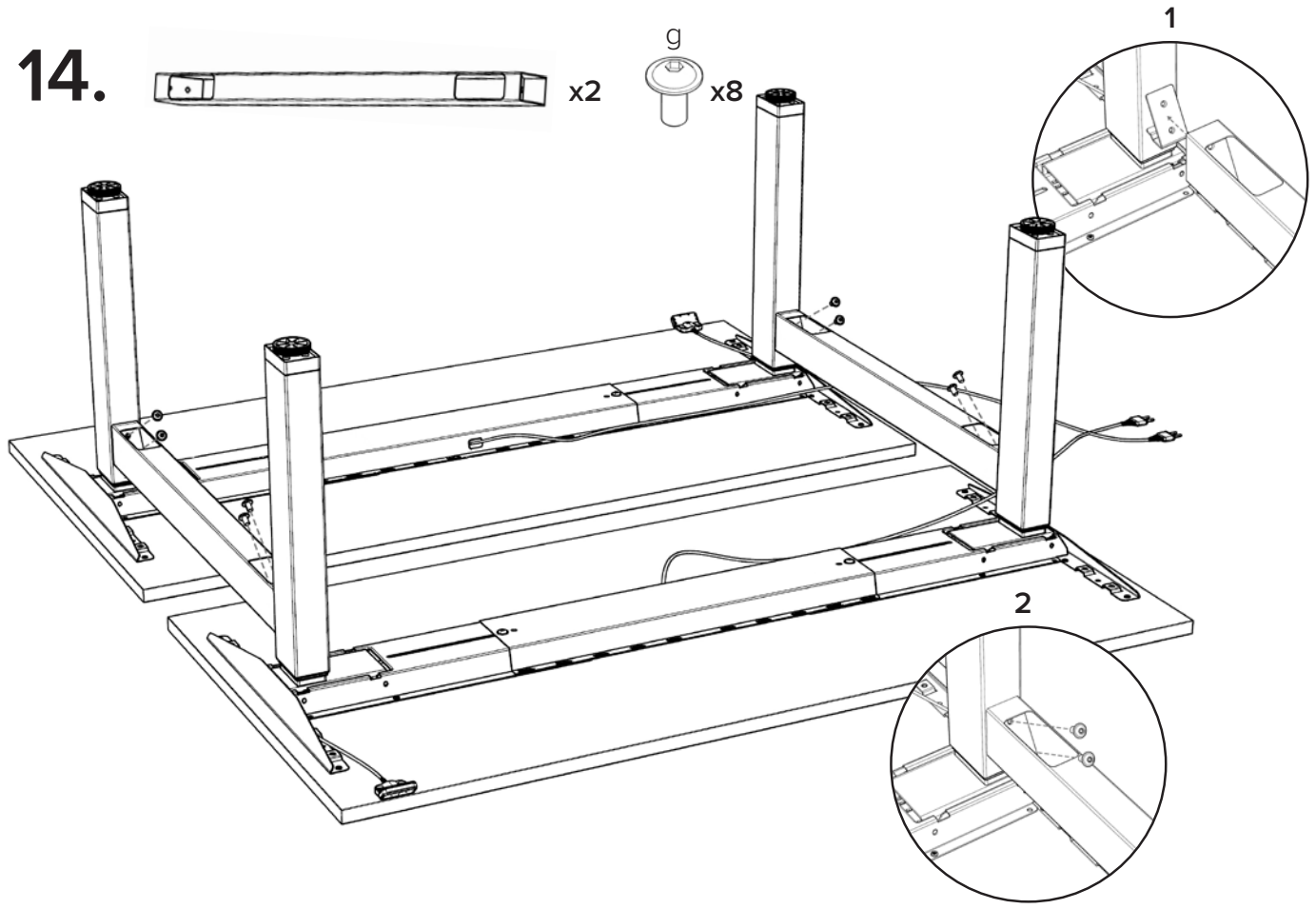
12.



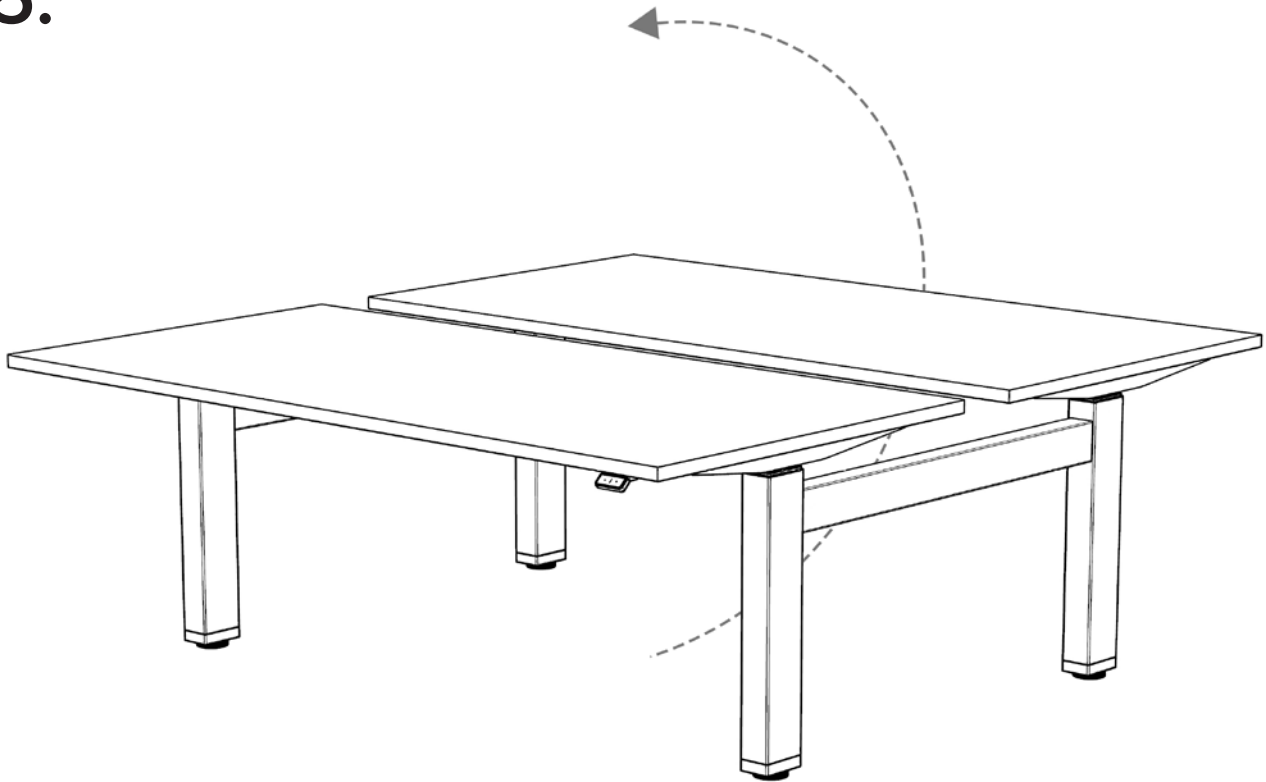
13.  x2  x2  x8



14.  x2  x8



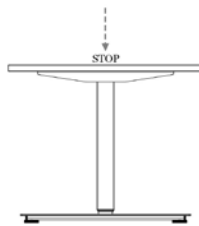
15.



16. Perform END POSITION RESET



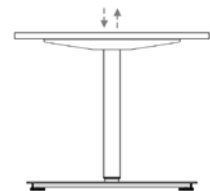
1. Press and hold DOWN key until table stops at lower position limit



2. Release DOWN key



3. Press and hold DOWN key Table moves down slightly, then up again



4. Release DOWN key