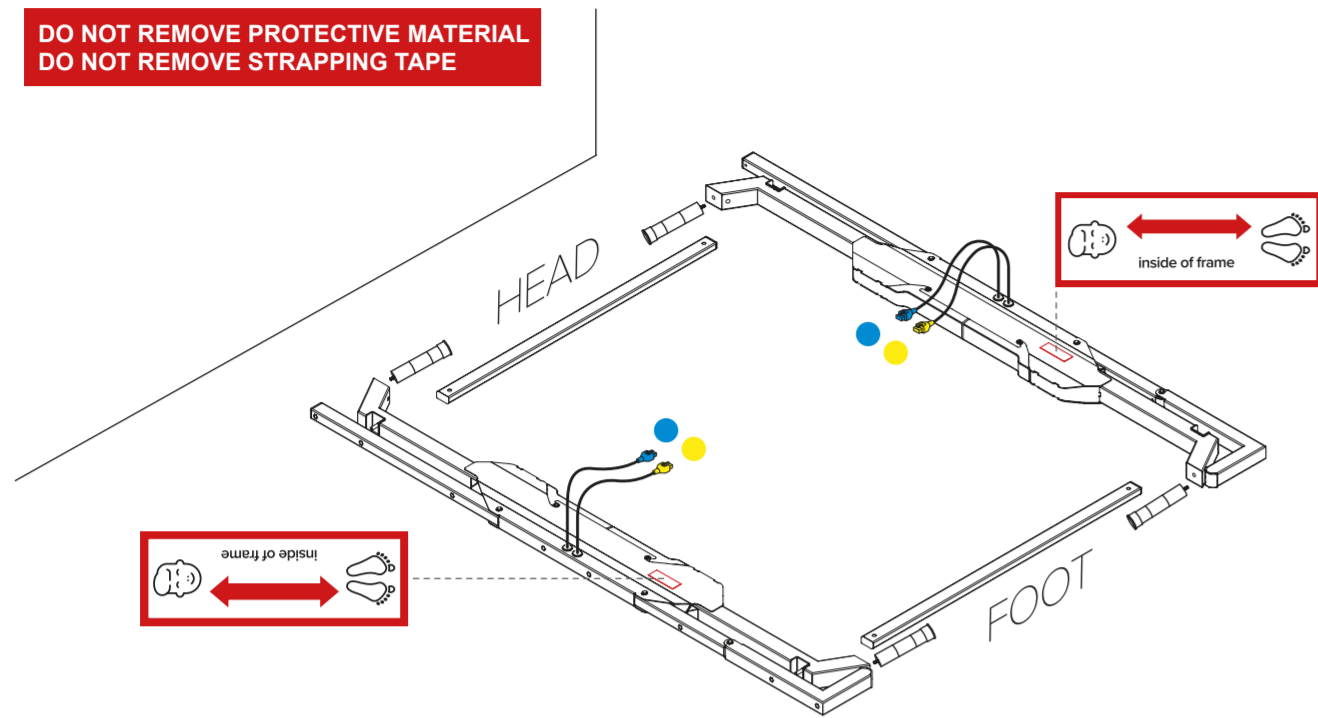


ASSEMBLY

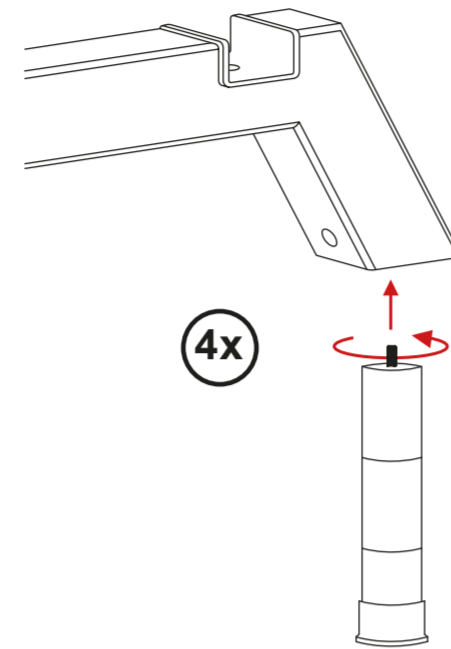
The Quick Start Guide is not a substitute for the product documentation. For your own safety, read the complete product documentation before assembling the Bed Frame and putting it into operation.

01 LAY ALL FRAME ELEMENTS ON THE GROUND, USE LABELS ON SIDE RAILS FOR ORIENTATION

DO NOT REMOVE PROTECTIVE MATERIAL
DO NOT REMOVE STRAPPING TAPE

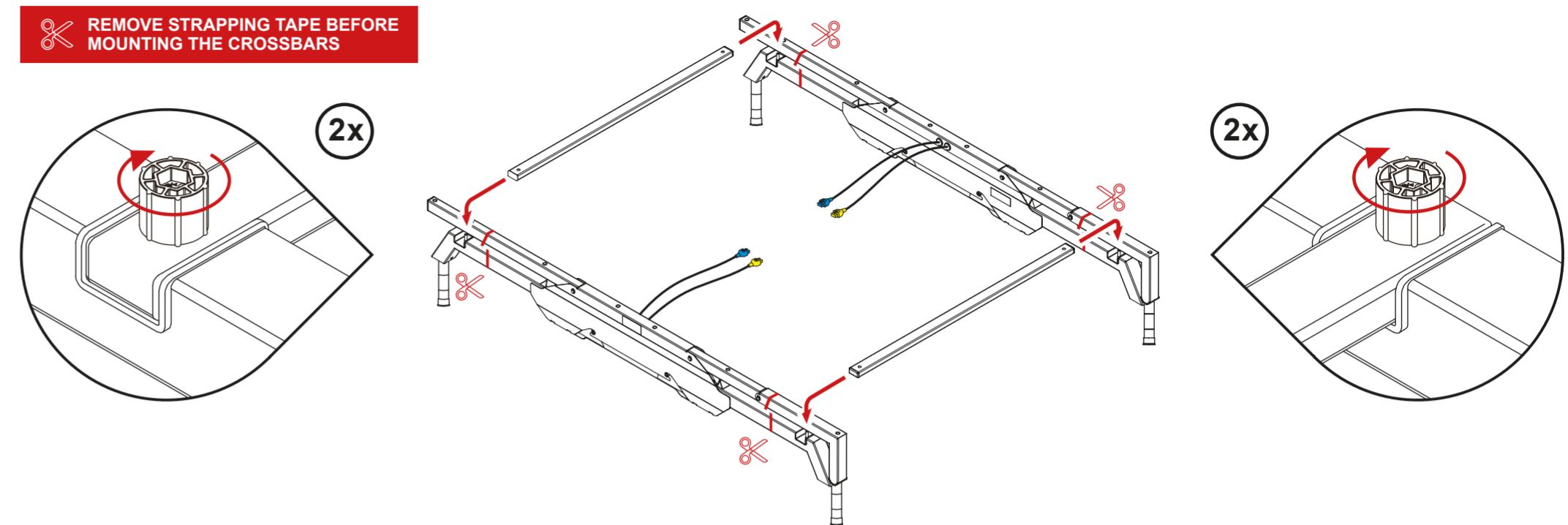


02 INSERT LEGS AND TURN UNTIL HAND TIGHT



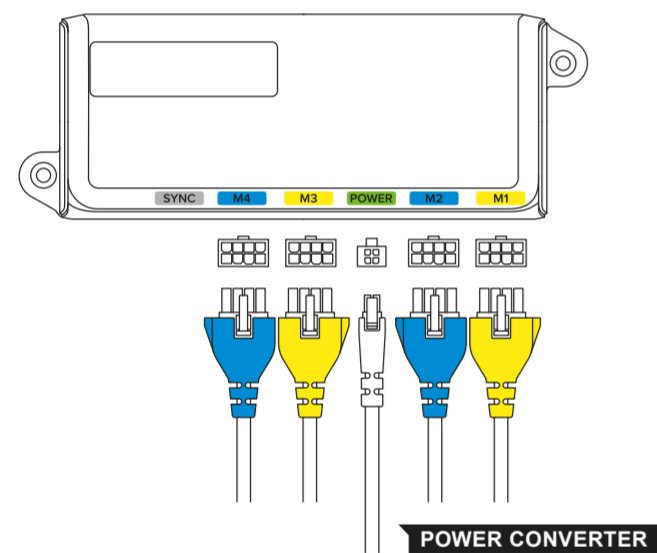
03 CONNECT BOTH CROSSBARS TO THE SIDE RAILS. ENSURE THE THREAD PASSES THROUGH THE HOLE AT THE END OF THE CROSSBAR

REMOVE STRAPPING TAPE BEFORE MOUNTING THE CROSSBARS

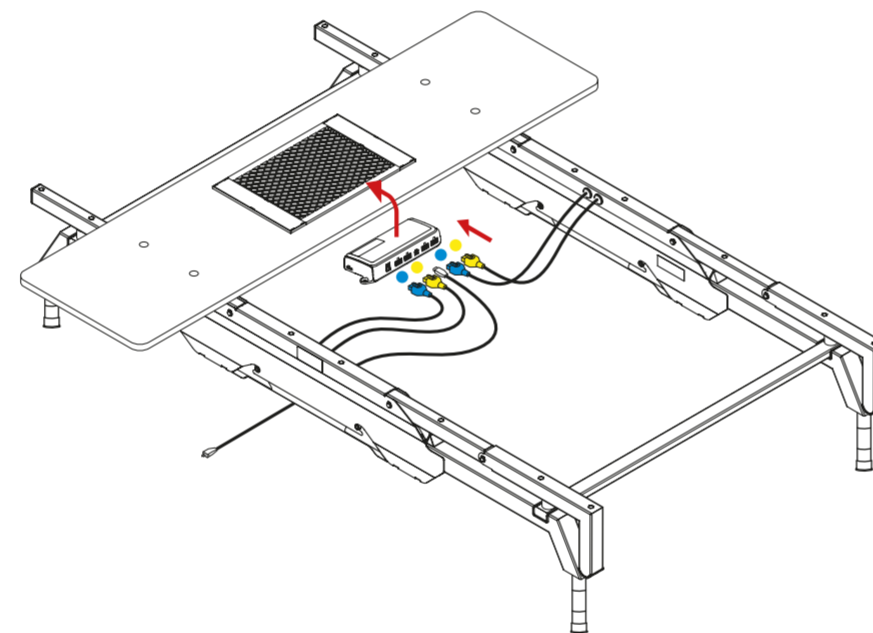


04 CONNECT THE CABLES, ENSURE ALL PLUGS ARE ORIENTED CORRECTLY

DO NOT CONNECT THE SYSTEM TO THE MAINS BEFORE FINISHING ASSEMBLY

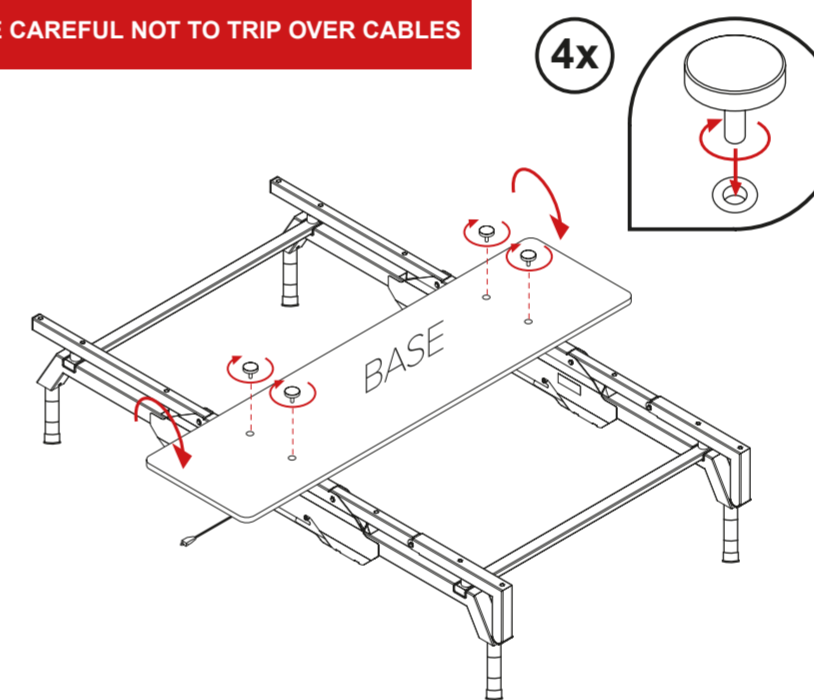


05 LAY THE BASE PLATFORM WITH THE NET FACING UP AND PLACE THE CONTROL BOX INTO THE NET

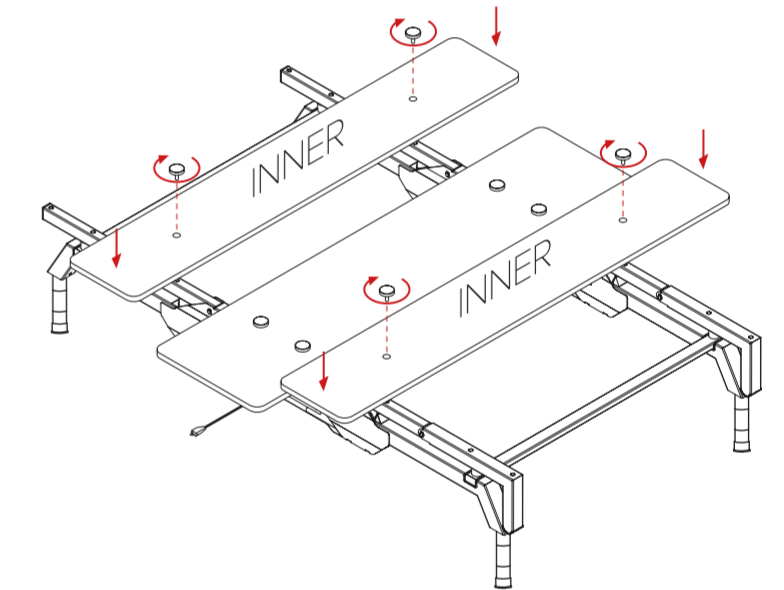


06 TURN THE PLATFORM, PLACE CENTRALLY AND TURN SCREWS UNTIL HAND TIGHT

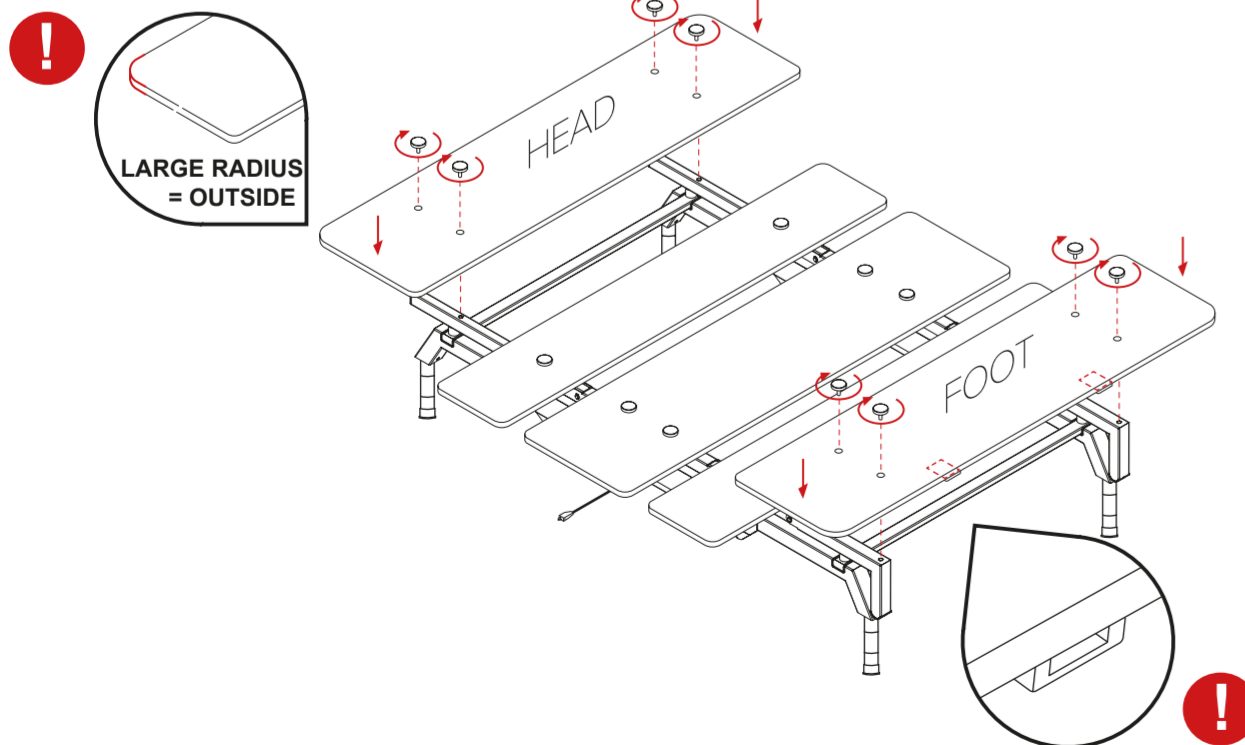
BE CAREFUL NOT TO TRIP OVER CABLES



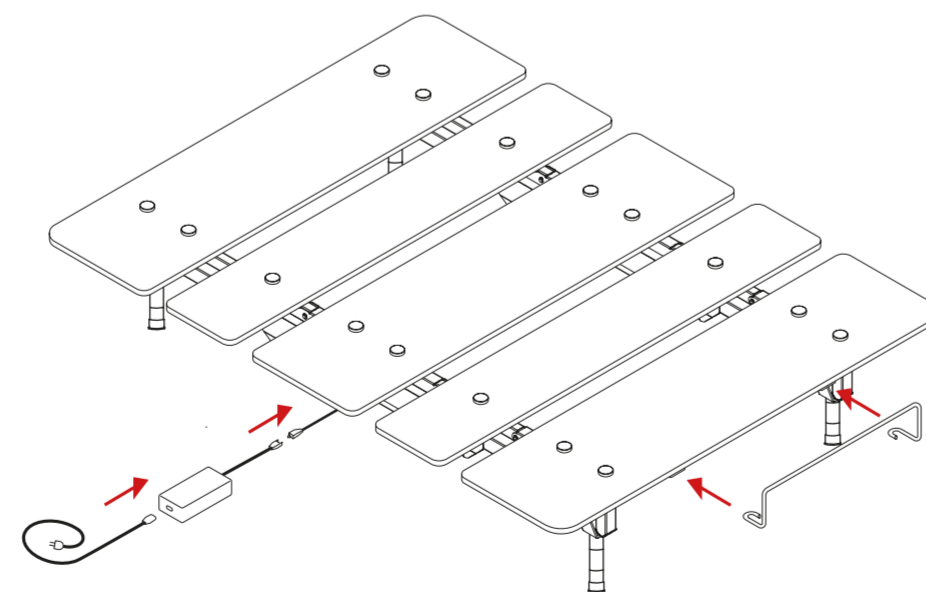
07 PLACE THE INNER PLATFORMS NEXT TO THE BASE PLATFORM. TURN SCREWS UNTIL HAND TIGHT



08 ENSURE HEAD AND FOOT PLATFORMS ARE ORIENTED CORRECTLY. TURN SCREWS UNTIL HAND TIGHT



09 PUSH RETAINER BAR TO CLICK INTO PLACE AND CONNECT POWER CABLES TO POWER CONVERTER



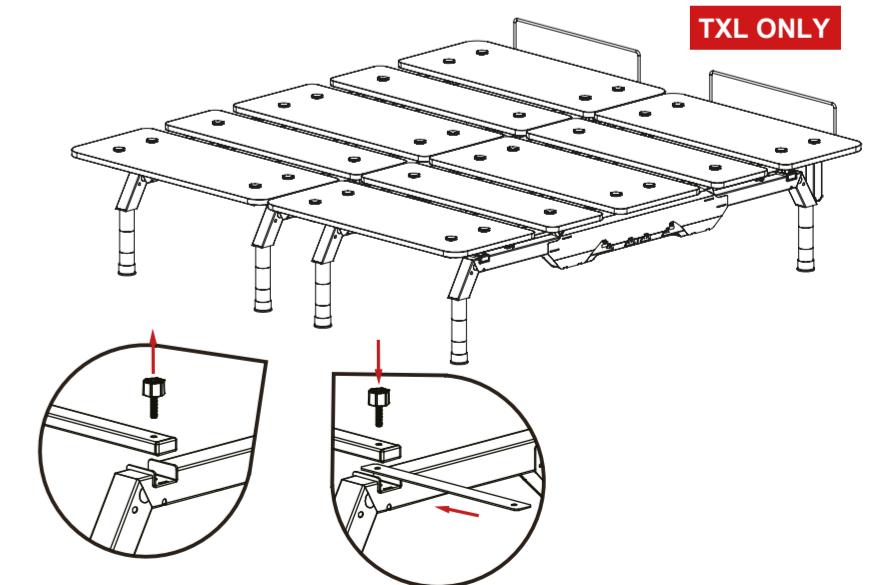
10 BEFORE USING YOUR SILVERLITE FOR THE FIRST TIME:



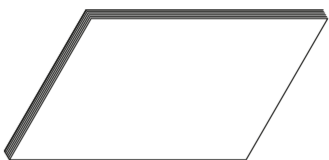
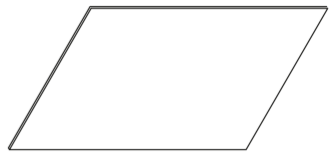
- Place the mattress on the Bed Frame
- Plug the Power Converter into the mains
- Press any button to pair your Remote Control with the Bed Frame
- Relax!

11 CONNECTING TWO BEDS :

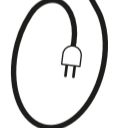
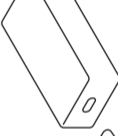
- Loosen the crossbar knob.
- Raise the crossbar and insert the TXL connector between the crossbar and the bracket on the siderail.
- Reinsert the crossbar knob through the holes and tighten it securely.
- Repeat the same procedure on the opposite side to complete the connection of the two beds.



WATCH THE ASSEMBLY MOVIE ONLINE

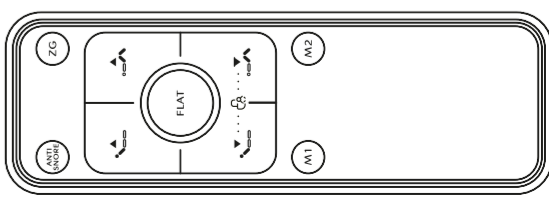
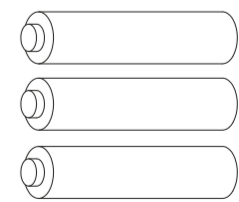


POWER CONVERTER

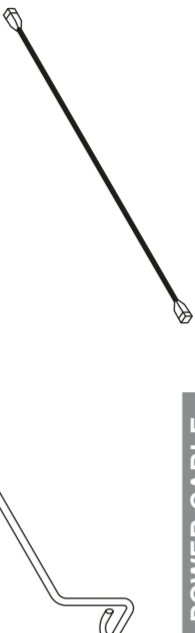


POWER CABLE

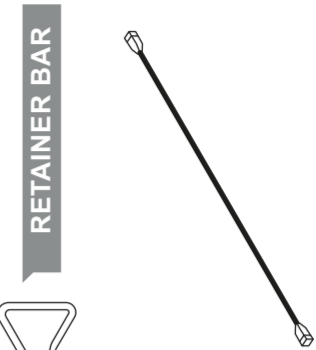
EMERGENCY LOWERING BATTERY STRAP



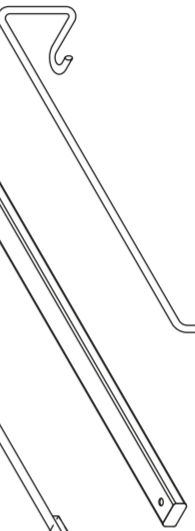
POWER CABLE



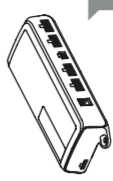
SYNC CABLE



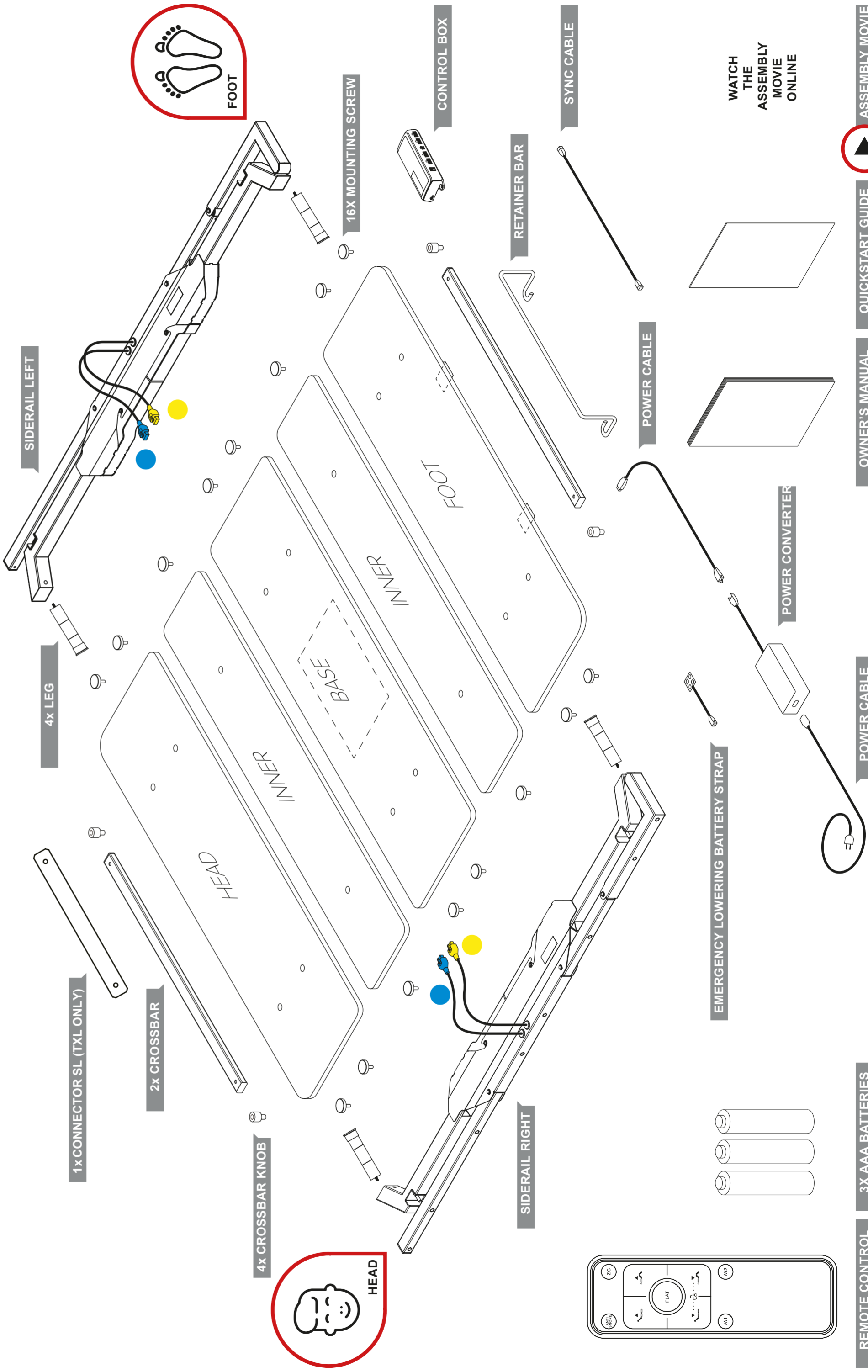
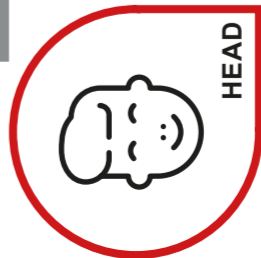
RETAINER BAR



CONTROL BOX



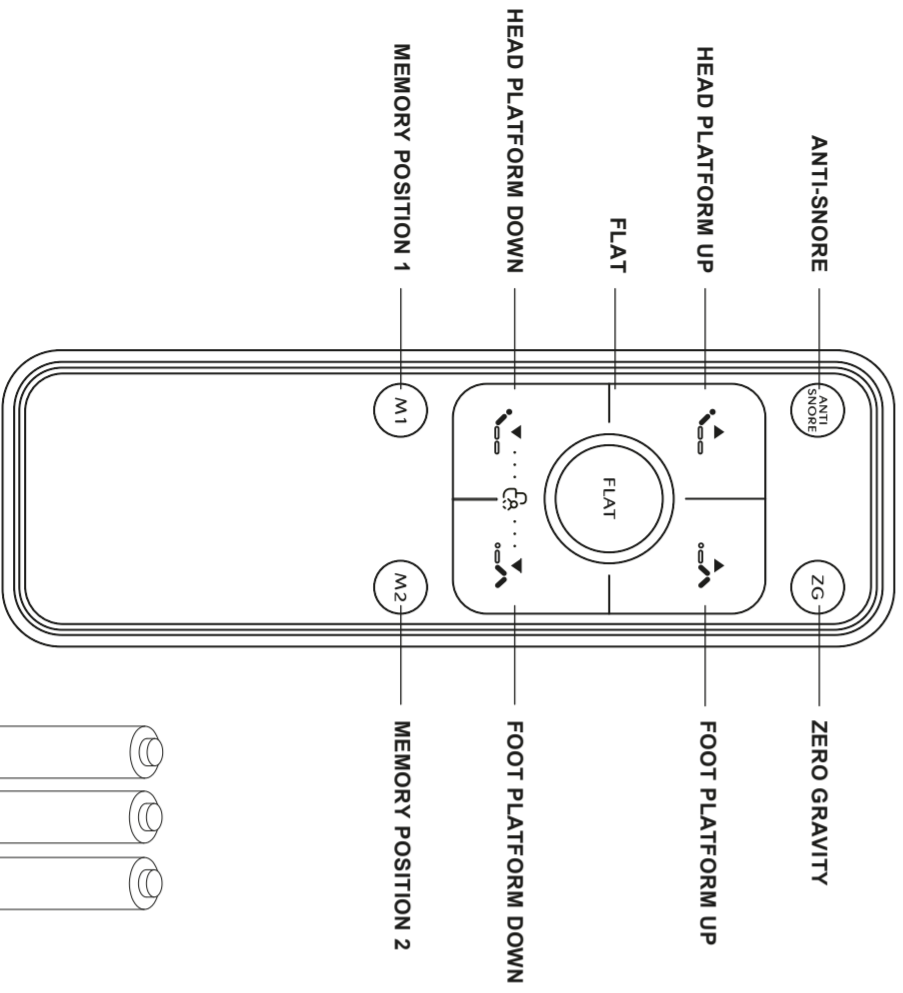
16X MOUNTING SCREW



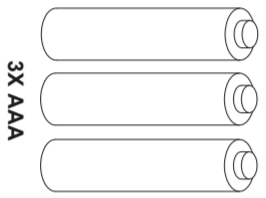
COMPONENT overview

REMOTE control

COSMO Austin



FOR FURTHER DETAILS READ THE OWNER'S MANUAL.



3X AAA



QUICK START GUIDE
VALID FOR SFS-AUS-LDS

Rev C 40038187