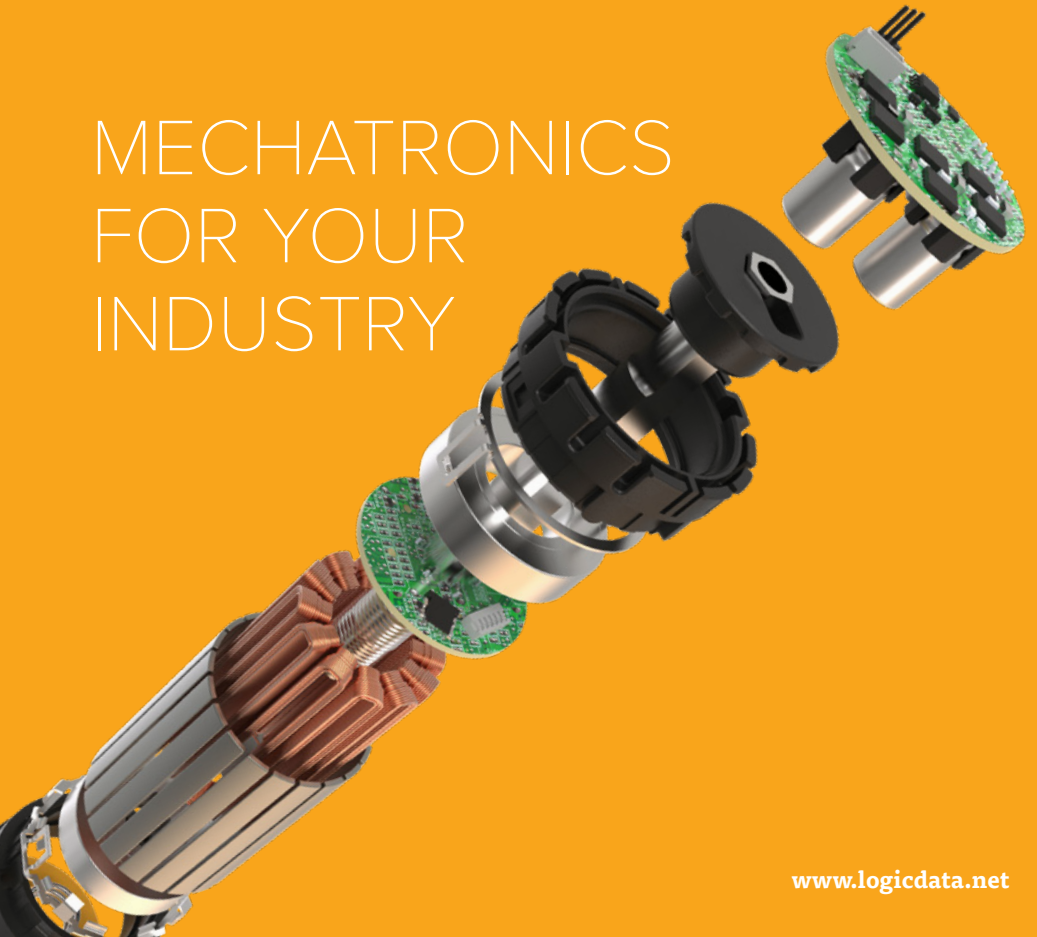


MECHATRONICS FOR YOUR INDUSTRY



TECHNOLOGY LEADERSHIP

15

Million Control Systems

5

Million Actuators

100+

Patents

2

Million Motors

80

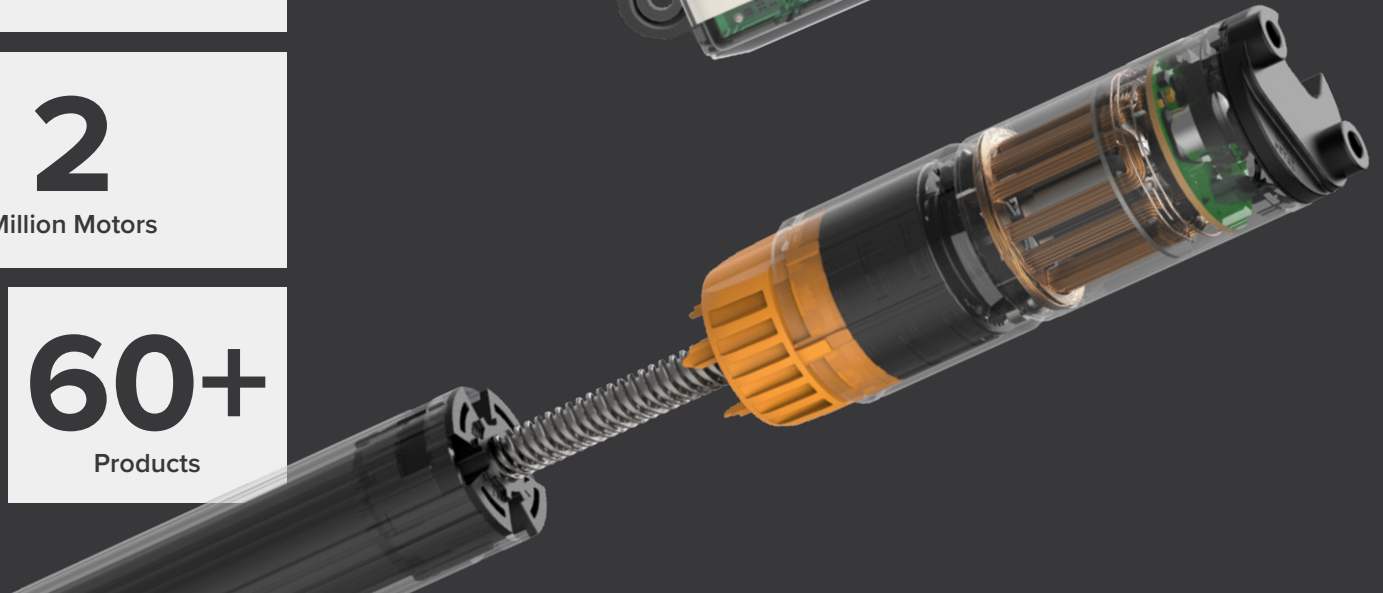
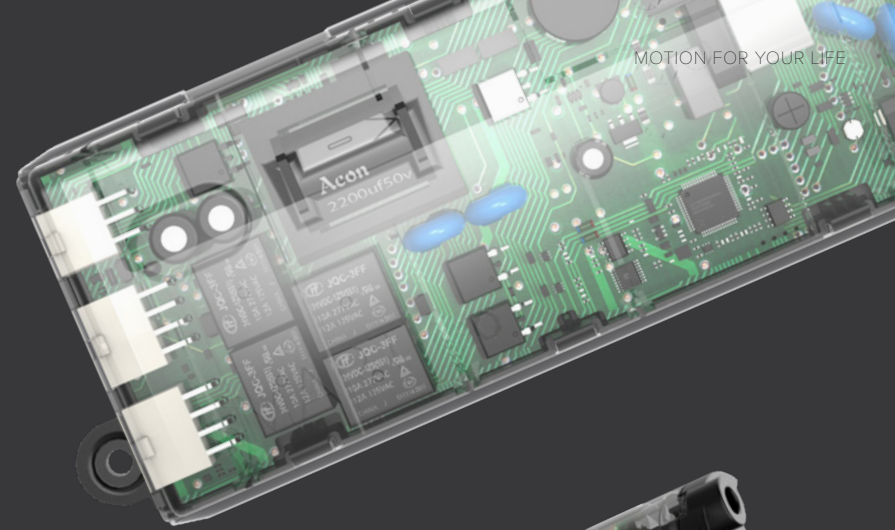
R&D Experts

30

Years Innovation

60+

Products



ABOUT LOGICDATA

European Engineering

With 30 years of experience, LOGICDATA is an Austrian provider of market-leading mechatronic solutions for various industries with its headquarters in Deutschlandsberg, Styria.

Unique Mechatronic Solutions

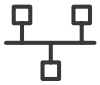
The portfolio includes brushless motors, linear actuators, intelligent lifting columns, and various control systems – designed for seamless integration with customization options.

From Idea to Serial Production

Customers benefit from our expertise ranging from development to serial production and full product lifecycle management.

BRUSHLESS MOTOR EXPERTISE

FULLY CUSTOMIZED SOLUTIONS



Multiple Motor Topologies

Multiple motor architectures from outer and inner runner to coreless designs – manufactured in-house



Fully Integrated Electronics

Integrated electronics with sensorless or FOC motor control and integrated brake systems



Motor Optimization

Optimal price-performance-ratio of 10-500W motors based on calculation models and prototype testing





EUROPEAN PRODUCTION IN-HOUSE MANUFACTURING

Precision Brushless Motors

Our state-of-the-art facility in Hungary specializes in high-volume brushless motor production.

Full Production in One Facility

On a total of 1 800 m² we cover the entire production process - from motor winding to motor and drive assembly - using automated and semi-automated assembly lines.

Top-Quality with End-of-Line Testing

Every product undergoes 100% end-of-line testing to ensure exceptional performance. This guarantees consistent quality in every unit we produce.

PRODUCT PORTFOLIO

DESIGNED FOR SEAMLESS INTEGRATION

Brushless Motors

Inner and outer runner motors with integrated motor control and bus communication – optimized for high performance and durability.

Intelligent Lifting Columns

Brushless motor driven columns for lifting loads up to 6000N in industrial applications.

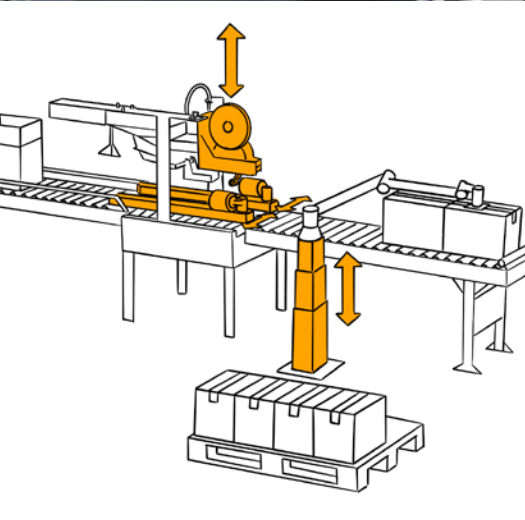
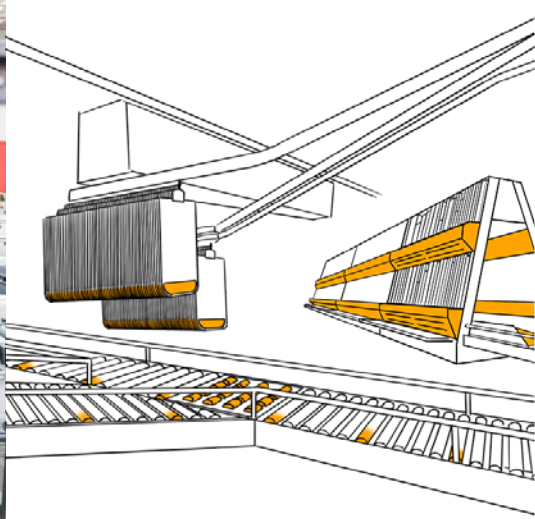
Parametrizable Control Boxes

Highly flexible control units for various types of DC motors and actuators, fully parametrizable to fit every application.

Linear Actuators

Cost-optimized systems with integrated electronics, brushless motors and inline spindle and gearbox system.





BUSINESS AREAS

High-Performance Systems

Our state-of-the-art mechatronic solutions bring motion to industrial environments, warehouse automation, and furniture applications.

Innovation-Driven Technology

As a One-Stop-Shop for mechatronic systems, our plug & play customization options deliver individual solutions that ensure quality, durability, precision and performance.

SUSTAINABILITY

Through innovative products and close conscious collaboration with customers, suppliers, and partners, we integrate sustainability into everything we do - building a positive legacy for future generations.

OUR KEY SUSTAINABILITY GOALS



Alignment with
our ESGs



Efficient and
Durable Solutions



Responsible
Sourcing



YOUR TRUSTED
PARTNER FOR
MECHATRONIC
SOLUTIONS

LOGICDATA

Electronic & Software Entwicklungs GmbH

Wirtschaftspark 18 • 8530 Deutschlandsberg • Austria

office@logicdata.net

T: +43 (0) 3462 51 98 0

www.logicdata.net

EN | 1.0