



LOG-PRT-DMS-300 REV 2

Tried and trusted.

DESCRIPTION

The sensor unit LOG-PRT-DMS-300 offers one collision detection and collision protection of electrically height-adjustable tables equipped with a SMARTneo-pro or COMPACT motor control. The sensor unit ensures intelligent system protection while driving.

FEATURES

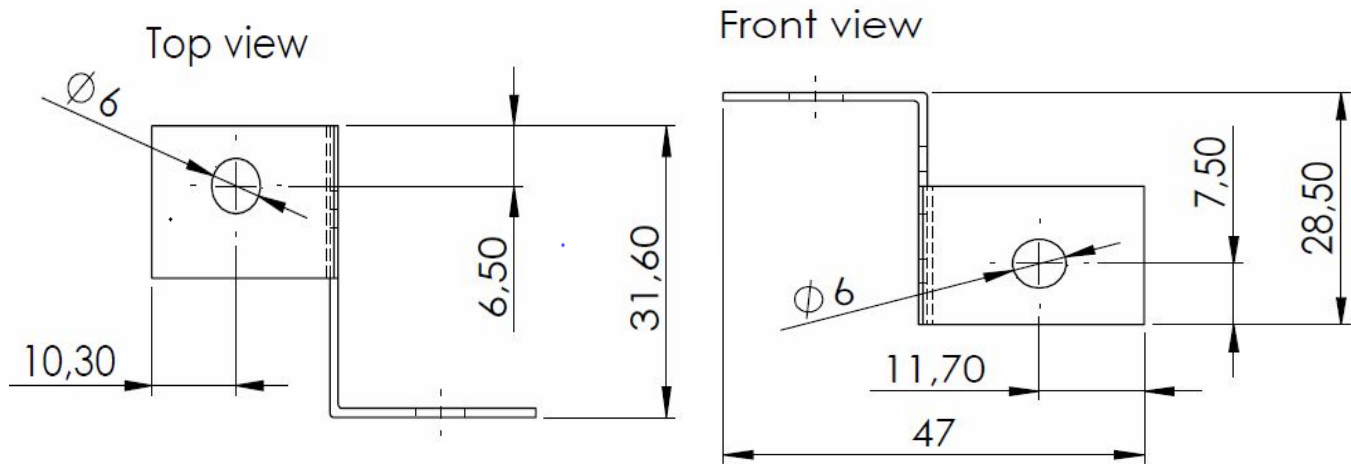
- Interactive with ISP (Intelligent System Protection)
- Collision protection and collision detection
- Sensitivity can be set via parameters
- Compatibel with SMARTneo-pro
- Compatibel with COMPACT, in use with ACS-CB-SENS

Contact Headquarters

LOGICDATA Electronic & Software Entwicklungs GmbH
Wirtschaftspark 18, 8530 Deutschlandsberg, office.at@logicdata.net

North America

LOGICDATA North America Inc., 1525 Gezon Parkway SW,
Suite C Grand Rapids, MI 49509, USA, office.na@logicdata.net



TECHNICAL DATA

Operating Voltage	3.3VDC +/- 10%
Dimensions	372+/-20 mm
Weight	20 g
Ambient conditions in operation	+5 °C to +40 °C at 10 % to 85 % relative air humidity (non condensing), at +27 °C max. dew point
Ambient conditions in transport and storage	-25 °C to +70°C at 5% to 90% relative air humidity (non condensing), at +38°C max. dew point; temperatures of +55°C to +70°C not exceeding 24h
Compatibility	SMARTneo-pro COMPACT, in use with ACS-CB-SENS
Standards	RoHS 2011/65/EU REACH directive (EG) Nr. 1907/2006 UL94 (Sixth Edition/2016) UL-758 conform (second Edition/2006) AfPS GS2014:01
Ordercode	LOG-PRT-DMS-300