



LOGIClink

Personal Standard

No hands. Full control.

DESCRIPTION

LOGICDATA provides effortless, hands-free, and coronavirus-safe control through LOGIClink, a cutting-edge Bluetooth-connected control element that empowers users to create an ergonomically-promotive workspace from their smart device.

Combined with the subtle intelligence of the MOTION@work app, LOGIClink crafts a responsive interface between the user and their workstation: providing full, Bluetooth-enabled position adjustment with no need for physical contact with the desk.

Seamlessly connecting the world-class mechatronic products in the LOGIC OFFICE range, LOGIClink comes geared towards a new normal for office work: the product's hands-free design provides both peace of mind to hygiene-conscious users and an excellent solution to the post-COVID regulations for offices.

FEATURES

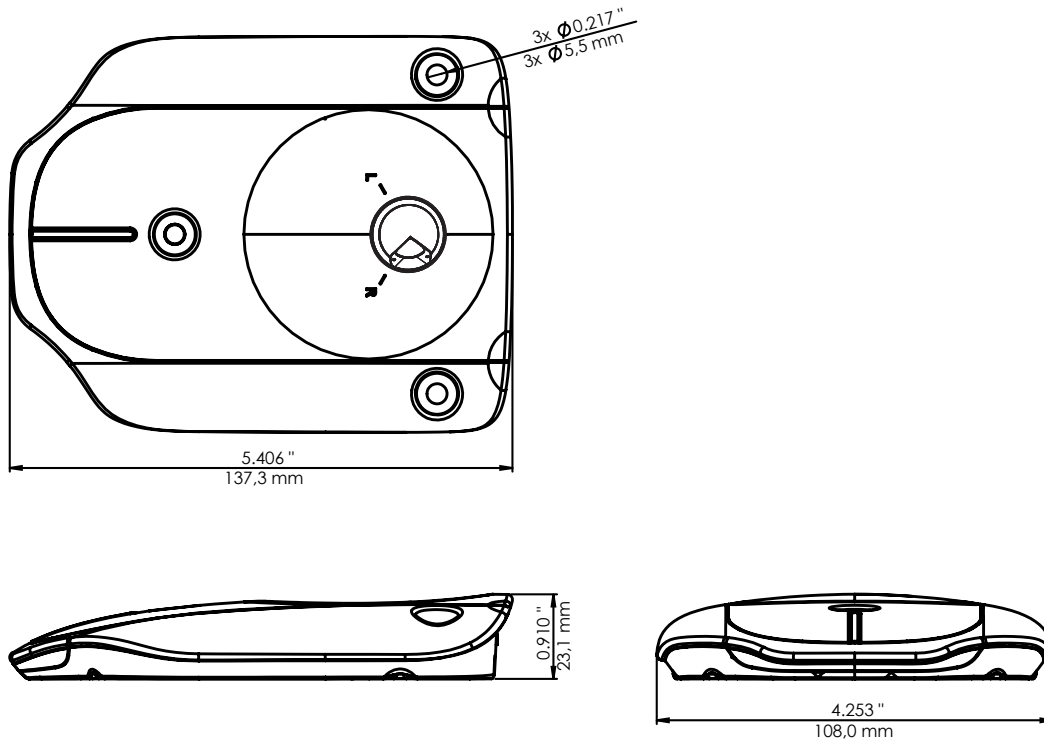
- Connection via Bluetooth
- Hands-free use with all smart devices
- Easily-cleanable design, resistance to strong disinfectants and cleaning agents
- Plug & Play technology
- MOTION@work App: focus on ergonomics and wellness in the workplace

Contact Headquarters

LOGICDATA Electronic & Software Entwicklungs GmbH
Wirtschaftspark 18, 8530 Deutschlandsberg, office.at@logicdata.net

North America

LOGICDATA North America Inc., 5300 Broadmoor Ave SE,
Suite D, Grand Rapids, MI 49512, USA, office.na@logicdata.net



TECHNICAL DATA

Supply voltage (retrofit-option)	5 VDC +/- 10 %
Supply voltage (DYNAMIC MOTION-option)	29.5 VDC +/- 10 %
Max. input current (retrofit-option)	500 mA
Dimensions (l x w x h)	137.3 x 108.0 x 23.1 mm
Weight	111 g
Interface / connector types	Micro USB connector Bluetooth >4.1
Ambient conditions during operation	+5 °C to +40 °C at max. 68% relative air humidity (non-condensing), up to an altitude of 2 000 m.
Ambient conditions during transport and storage	-25 °C to +40 °C at max. 68% relative air humidity (non-condensing). +40 °C to +60 °C at max. 32% relative air humidity (non-condensing). Temperatures of more than +40 °C for periods not exceeding 10h. Product must be acclimatised to acceptable operating conditions before assembly. Contact LOGICDATA for exact specifications.
Compatibility	Visit LOGICDATA.net for a full list of compatible products
Degree of protection	IP 20
Wireless Working Frequency	2.4 GHz
Standards and regulations	RoHS directive 2011/65/EU REACH Regulation (EC) No 1907/ 2006 RED 2014/53/EU FCC Title 47 subpart 15 ICES-003
Order code	LOGIClink-Personal-A-00-Y